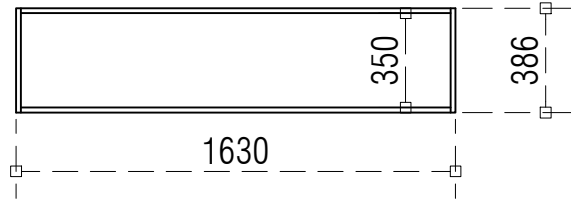


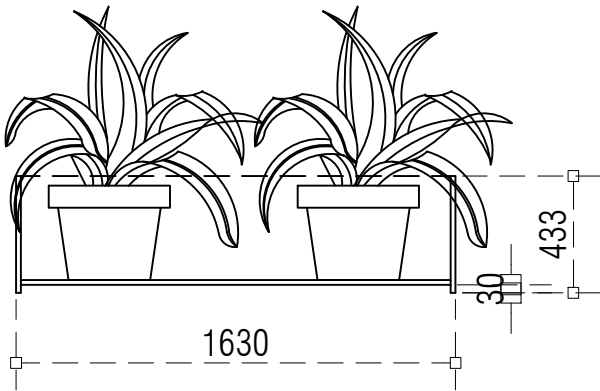


TREE POT [TP] - 1

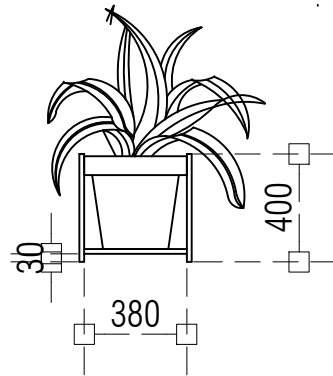
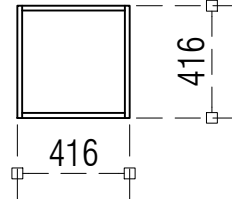
TP1 - TOP VIEW



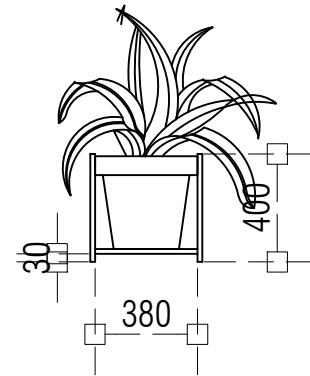
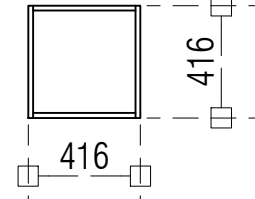
TP1 - SECTION



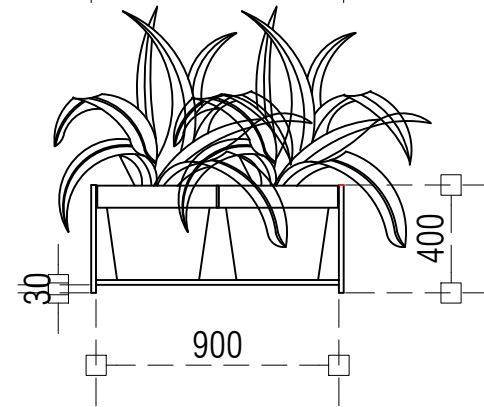
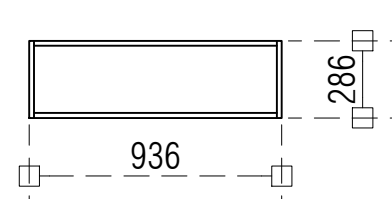
TREE POT [TP] - 2



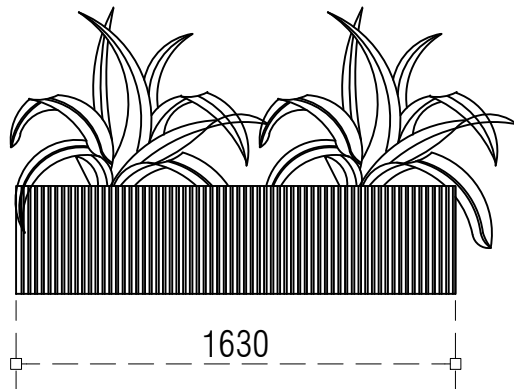
TREE POT [TP] - 3



TREE POT [TP] - 4



TP1 - FRONT ELEVATION



NOTES: TP1 & TP2 shall be finished in 18 mm thick white matte-finish plywood. On top of this, install WPC panels, with the material matched to the existing panels at the council front office.

NOTES: TP3 & TP4 shall be finished in 18 mm thick white matte-finish plywood.