

What to consider before setup?

In order to set up the device correctly and in time, it is important to inspect the on-site installation requirements in advance using this check list. If necessary consult an expert.

Practice / clinic (name, address / stamp)	Stockist (name, address/stamp)

If the installation is done by the MELAG service, send this list to MELAG (email: ipcc@melag.de or fax +49 (0)30 757 911 1050).

X Checkmark the following points after checking.

Space requirements / premises

- The clear width of doors and passages from the practice entrance up to the place of installation should be at least 50 cm.
- The following set-up space is existent:

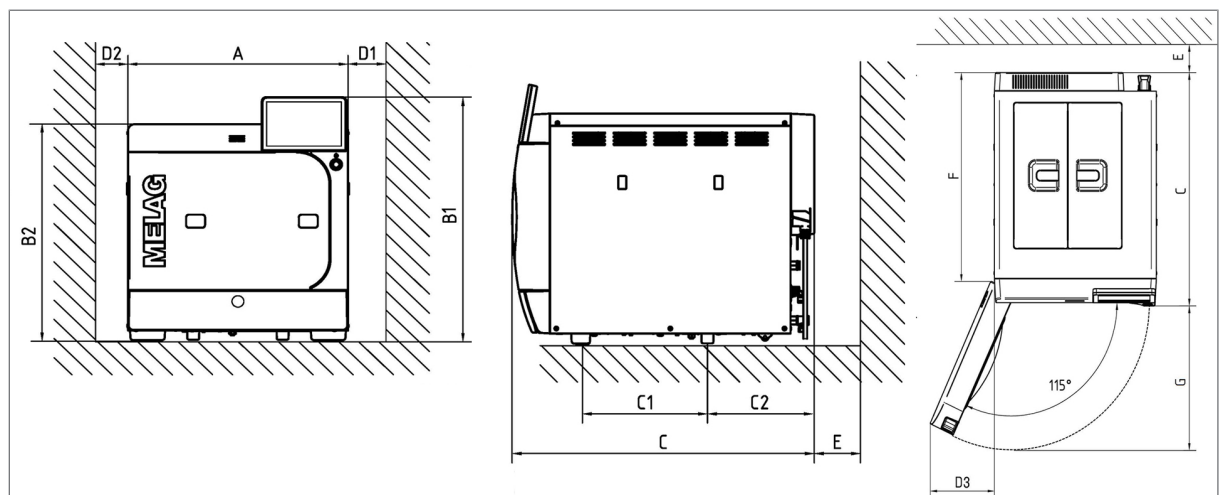
Space requirement for Careclave 618:	Dimensions
Width x Depth	48 cm x 65.3 cm
Height with display	56.2 cm
Height without display	50 cm
Depth of the work surface	60 cm
- The set-up surface can carry a floor load of 82.5 kg (operating weight incl. load).



PLEASE NOTE

If the device is to be installed in a L-shaped corner, comply with the following:

- In order to use the door opening angle of 115° to its fullest extend, a minimum space of 19 cm (D3) is required between the wall and device.
- If a fully opened door and the locking function is not required, a minimum space of 3 cm (D2) is sufficient.
- A minimum opening angle of 90° must be provided for loading and unloading.



Dimensions		
Width	A	48 cm
Height	B1	56.2 cm
Height without colour touch display	B2	49.7 cm
Depth	C	65.3 cm
Clearance between the device feet	C1	27.05 cm
Clearance from rear device foot up to the cover	C2	23.1 cm
Min. clearance to the side	D1	7 cm
Min. clearance to the side of the door hinge	D2	3 cm
Min. clearance to the side	D3	19 cm
Min. clearance to the rear	E	1 cm
Clearance when door fully open	F	58 cm
Max. clearance with open door	G	38.5 cm
Min. clearance to the top	B1 + 4 cm	

Additional space is required for a storage container or a water treatment unit. It is also necessary to guarantee free access to the hoses and cables leading from from the device to the water treatment unit.

Additional space requirement for the feed water supply

Space is required above the MELAdem 53 / MELAdem 53 C for clear access to the hose connections.

Dimensions	MELAdem 53	MELAdem 53 C
Diameter	24 cm	24 cm
Height of the unit incl. connecting parts	57 cm	45 cm

Space requirements	MELAdem 47	
	Osmosis module	Storage tank
Width	42 cm	Ø 24 cm
Height	47 cm	51 cm
Depth	15 cm	--

Additional space requirement for an optional Cooling Box

- Space requirement:
Height x Width x Depth = 56 cm x 24.1 cm x 19.5 cm
- A socket is present:
The power consumption is at maximum 90 W.
The length of the power cable incl.the power supply unit is at 3.35 m.

Place of installation

- The ambient temperature is between 5-40°C (ideal range 16-26°C).
- The device has sufficient distance to the smoke detectors.
Steam may be emitted during operation.
- Sufficient room ventilation is ensured.
The heat with maximum load is 1.7 kW.
- No installation in the patient environment.

Installation of the device

MELAG recommends the free-standing installation of the Careclave. If the device must be integrated into the work space, the following points must be complied:

- The device can be pulled out by one person for maintenance.
- In the installation space, there must be a heat emission duct in the rear area which diverts the warm air actively to the rear.

- The clearances in the installation space must be minimum 5 cm.

Mains connection

Work on the electrical system should only be performed from an authorized or qualified specialist.

- The practice operator is to provide a correctly installed electrical installation.
- A main switch with all-pole disconnection or a freely-accessible socket is ensured.
- RCD breaker with 30 mA tripping current is present.
- 220-240 V, 50 Hz socket, separate circuit with a 16 A fuse
The power cable has a length of 2 m.

System and network connection

If the device is to be connected to the local practice network (LAN), the following points must be complied.

- A Ethernet/IP-based network connection (LAN) is present.
- A documentation software compatible with Careclave is present.
If the Careclave is used for the approval, the logs can be stored on the server/PC using the MELAG FTP server. A USB cable cannot be used for a direct PC connection to the documentation software (e.g. MELAtrace).

Wastewater connection

- The wastewater connection (siphon) must be below the device with a maximum distance of 2.5 m from the wastewater connection of the device.
The wastewater hose has a length of 2.5 m.
Comply with the information in the technical manual.
- The wastewater outflow can be provided with a constant incline in direction of the siphon.
2 PTFE hoses (8 mm) are installed for the wastewater connections.
- The wastewater connection (siphon and wall drain) is sufficiently dimensioned.
The wastewater may reach up to 98 °C for short terms. The amount of wastewater is max. 2 l/min (careful with pumping equipment installed in the building).

Cold water connection for the water treatment unit

- The connection (3/4" external thread) to the drinking water is present and accessible for the connection to the water treatment unit.
- The maximum water consumption is 5 l/h. The average water consumption is 2.7 l/h.
- The maximum water temperature is 35 °C.
- The minimum inlet water pressure is 1 bar for MELAdem 53/53C and 3 bar for MELAdem 47.
If using MELAdem 47 and the inlet water pressure is less than 3 bar, the optional pressure increase pump (art. no. ME22500) must be installed.
- If using MELAdem 53/53C, a leakage water detector (e.g. art. no. ME01056) must be installed to prevent water damage.
This is also recommended if using MELAdem 47.

Water connection

	Feed water	Wastewater
Connection in the practice	to a water treatment unit, e.g. MELAdem	Wall outlet, nominal width DN 40 or to a siphon (flush outflow)
Installation height	--	min. 30 cm below the device
Max. water consumption	5 l/h	--
Average water consumption	2.5 l/h	--
Min. flow pressure	0.5 bar at 1.0 l/min	--
Max. throughflow volume	--	2 l/min
Min. water pressure (static)	1 bar	--
Max. water pressure (static)	10 bar	--

	Feed water	Wastewater
Min. water temperature	1 °C	
Max. water temperature	35 °C (ideal 15-20 °C)	90 °C for 30 seconds, maximum 98 °C for 1 second
Water quality	distilled or demineralized water in accordance with EN 13060, Appendix C	--
Measures for protecting the drinking water	<p>The device is equipped with all required components in accordance with EN 1717 to protect the drinking water.</p> <p>To secure the water treatment units MELAdem 47, MELAdem 53 and MELAdem 53 C it is recommended to install a safety device in accordance with EN 1717.</p> <p>Further country specific measures may be required for protecting the drinking water.</p>	

Compressed air connection

- A compressed air connection in accordance with EN ISO 7494-2 (compressed air for treatment units) is present.
- The pressure range is 4-8 bar.
- The compressed air supply is minimum 55 l/min.
The compressed air consumption during Careclave operation is approx. 50 l/cycle.

Careboxes and adapter arrangement

- A compatibility check of the instruments for the Carebox adapters has been made. Both Careboxes (Blue / Green) can be loaded with a maximum of 8 instruments.
The adapter for KaVo/BienAir CA-Heads (art. no. ME02606) is a connecting adapter and requires an adapter for ISO connector (art. no. ME02607) as basis.
The adapter for external spray channels (art. no. ME21914) can reprocess the external spray channels of max. 3 surgical hand pieces. When having 2 adapters in each box a maximum of 6 instruments with external spray channels can be reprocessed.
- An optional standard conform reprocessing of ZEG tips in Carebox Green is required.
The reprocessing of torque wrenches with a diameter of >38 mm requires a maximum of 6 Adapter M8x1 eccentric (art. no. ME22407).

Remarks and notes

The information outlined above has been complied. The requirements for the installation and commissioning of the device is guaranteed.

.....
Signature / stamp from practice / clinic