

# Monorail Low Headroom Hoist

M 2/1 LC & M 4/1 LC

**Series:** M (Standard Wire Rope Hoist)

**Type:** M640

**Capacity:** 8-16 t

**Reeving:** 2/1 (2 Rope Falls)

**Suspension:** LC (Low Headroom, Counterweight)

8 t

16 t

2/1

4/1

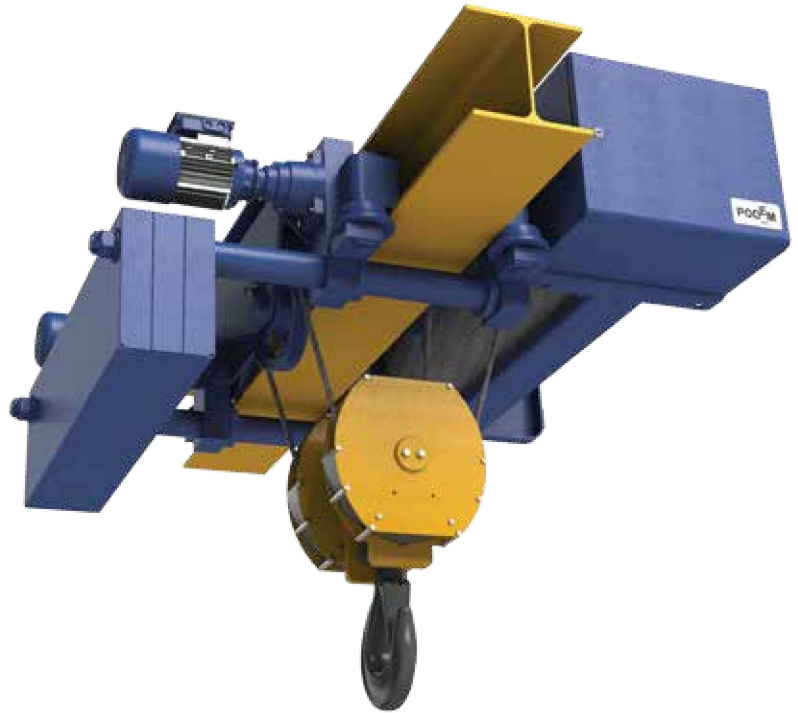
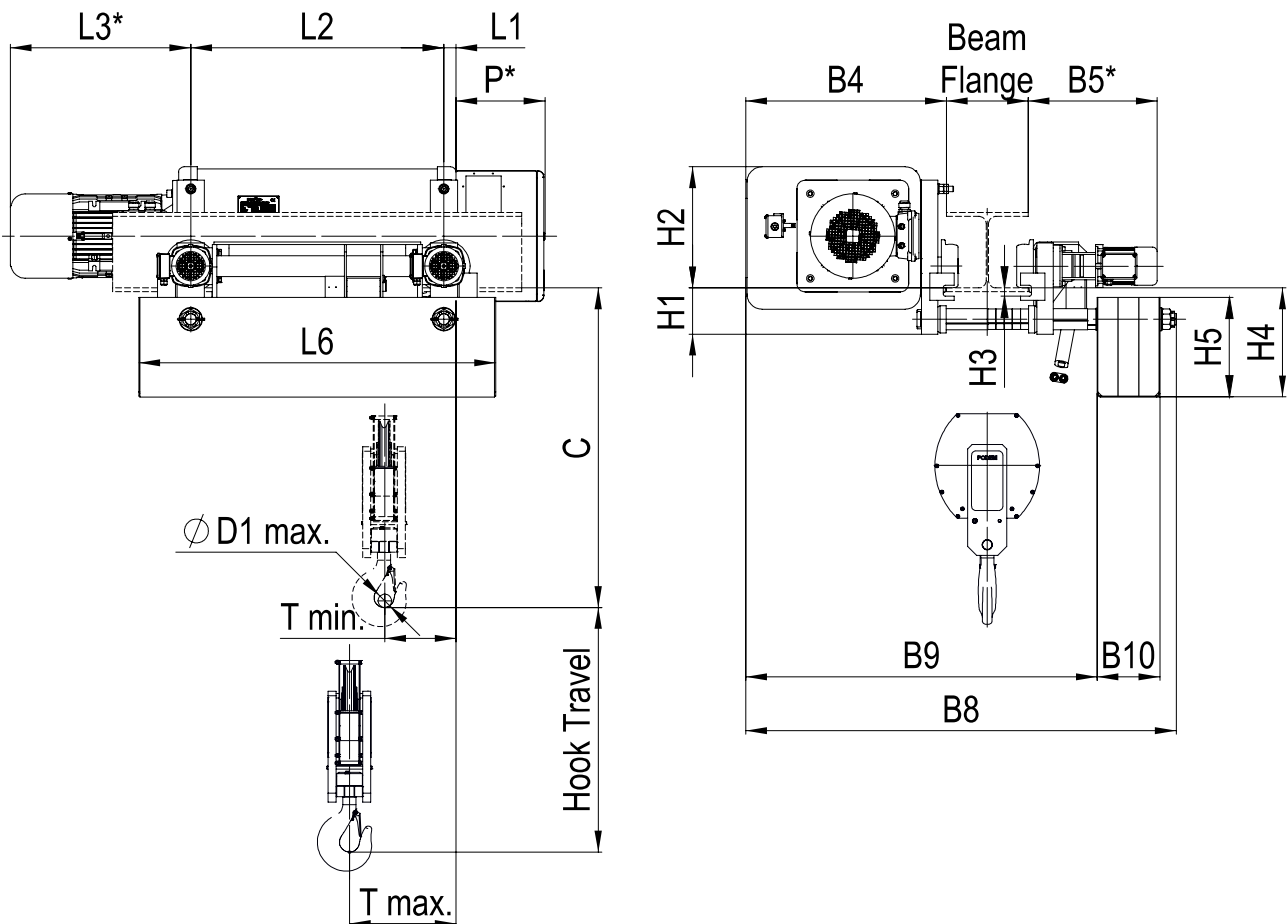


Fig. 7



Type			Dimensions — M 2/1 LC																		Weight	
Hoist Type	Capacity (t)	Hook Travel (m)	B4	B5* DS	B8	B9	B10	C	ØD1 max.	Trolley Wheel Diam.	H1	H2	H3	H4	H5	L (V1)	L1	L2	L3* (V1)	T min. UEP	T max. DEP	kg (V1)
M640	8	12	736	460	1 578	1 288	230	1 060	49	160	170	444	30.5	400	365	1 262	44.5	563	655	238	424	1 237
	8	17	736	460	1 578	1 288	230	1 060	49	160	170	444	30.5	400	365	1 412	44.5	713	655	238	499	1 309
	8	24	736	460	1 578	1 288	230	1 060	49	160	170	444	30.5	400	365	1 627	44.5	928	655	238	606	1 429
	8	31	736	460	1 578	1 288	230	1 060	49	160	170	444	30.5	400	365	1 842	44.5	1 143	655	238	714	1 558

Type			Dimensions — M 4/1 LC																		Weight	
Hoist Type	Capacity (t)	Hook Travel (m)	B4	B5* DS	B8	B9	B10	C	ØD1 max.	Trolley Wheel Diam.	H1	H2	H3	H4	H5	L (V1)	L1	L2	L3* (V1)	T min. UEP	T max. DEP	kg
M640	16	8.5	736	630	1 773	1 483	230	995	59	160	170	444	30.5	395	365	1 412	44.5	713	655	353	483	1 544
	16	12	736	630	1 773	1 483	230	995	59	160	170	444	30.5	395	365	1 627	44.5	928	655	353	537	1 659
	16	15.5	736	630	1 773	1 483	230	995	59	160	170	444	30.5	395	365	1 842	44.5	1 143	655	353	591	1 775

\* Standard Podem hoists are adjustable for beam flange 130...300 mm

