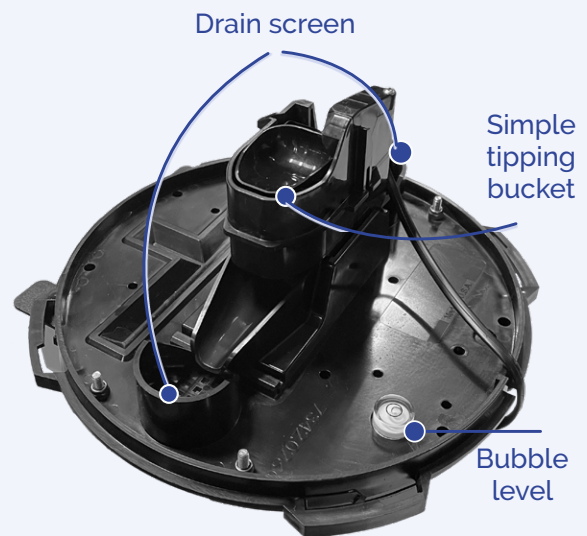


Raincrop

The connected rain gauge



Base of collector



The rain gauge

The Sencrop rain gauge has a single tipping bucket, guaranteeing reliability when taking measurements, even in case of a heavy rain. The aerodynamic shape of its funnel makes it possible to limit the influence of the wind. An anti-clogging system is included in the funnel and facilitates maintenance.

Measurement of temperature and air humidity

Three sensors are used to make temperature and hygrometry measurements with more reliability and to prevent the drift of measurements over time. This makes it possible to increase the life of the product and to carry out a predictive maintenance.



Specifications

Measurements		
Rain Gauge	Principle of operation	Tipping bucket
	Operating temperature range	0 – +85 °C
	Measurement range	0 – 1039 mm/h
	Accuracy	± 4 % at 50 mm/h
	Resolution	0.254 mm
Temperature and humidity	Principle of operation	3 digital sensors
	Temperature range	-40 °C to / à +125 °C
	Humidity range	0 % to / à 100 %
	Temperature accuracy	± 0.2 °C typ. / ± 0.3 °C max. (-40 °C to +90 °C)
	Humidity accuracy	± 2 % typ. / ± 3 % max. from 0 °C to 80 °C (0 % HR to 100 % HR)
Mechanical characteristics		
Post	Material	Steel with polyzinc treatment
	Dimensions	Length 210 cm Diameter 30 mm
	Weight	3 kg
Shield	Material	ASA
Rain gauge	Material	UV-stabilized ABS plastic
	Collection area	214 cm ²
Support plate	Material	Stainless steel / Acier inoxydable
General		
Battery	Battery	Lithium-Thionyl Chloride - capacity 19Ah - 3.6V
	Temperature range	-60°C to / à +85°C
Other sensors	Accelerometer	
	GPS	
Communication	Network	Sigfox (868 MHz)
	Data transmission period	Every 15 minutes

