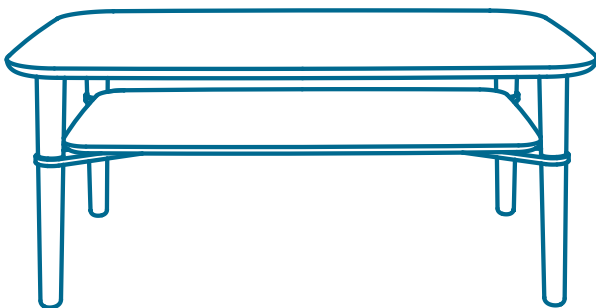


Click the button
to watch the
assembly video

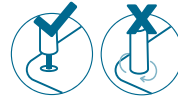
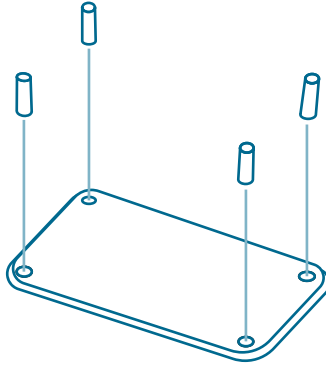


**RECTANGLE
COASTER COFFEE TABLE**

Ko'da



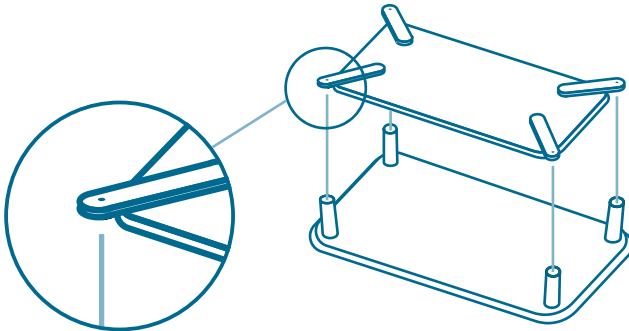
1.



screw in shelf spacers

! do not tighten screws

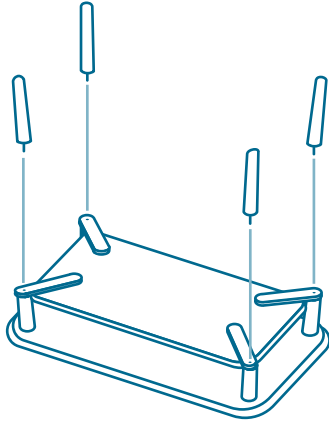
2.



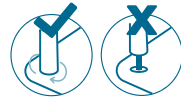
align holes on shelf



3.

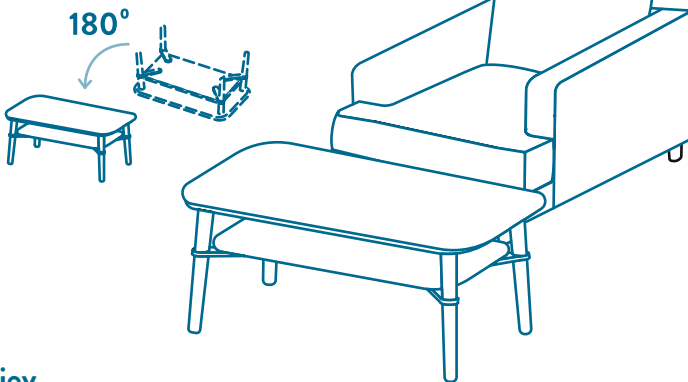


screw legs in



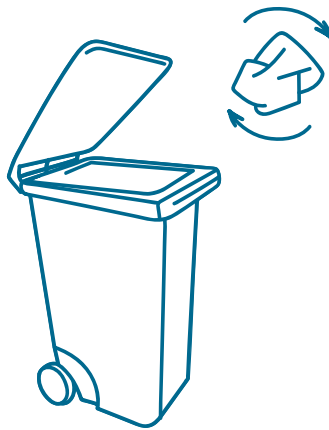
! tighten all screws
spacers first

4.



enjoy

Click the button
to watch the
assembly video



don't forget to recycle

koala