

Click the button
to watch the
assembly video




**QUEEN / KING
TIMBER BED BASE**






#sleepoverwithkoala

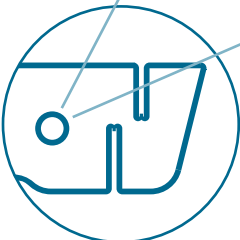
1.

x1 


x1 


**1. Find a Short board
(for horizontal installation)
with holes in center.**

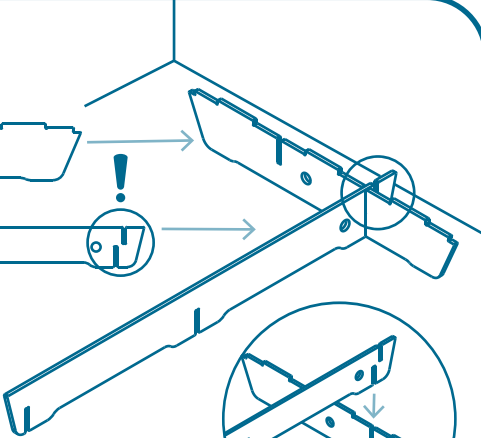
**2. Find a Sideboard
(for vertical installation)
with as hole in far right.**

! 

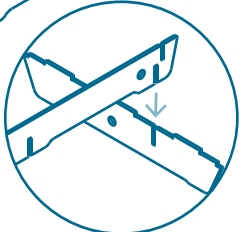
2.

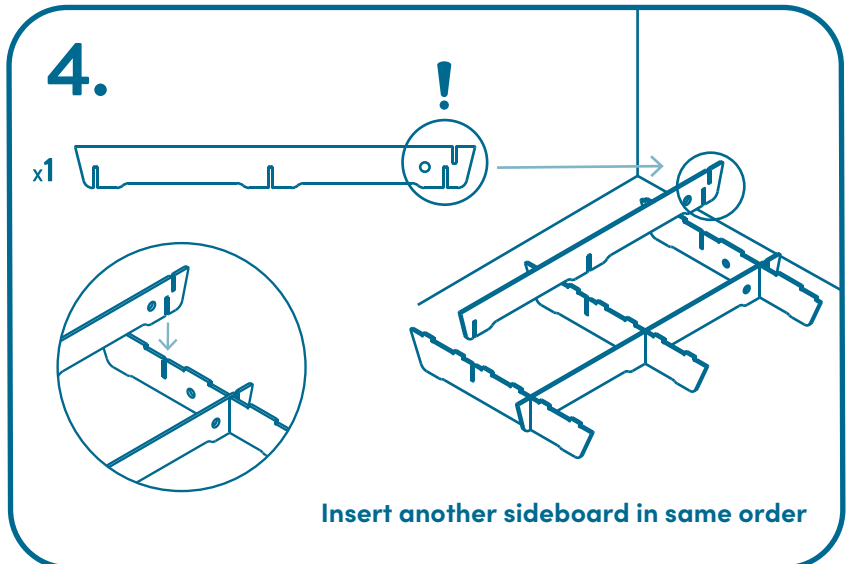
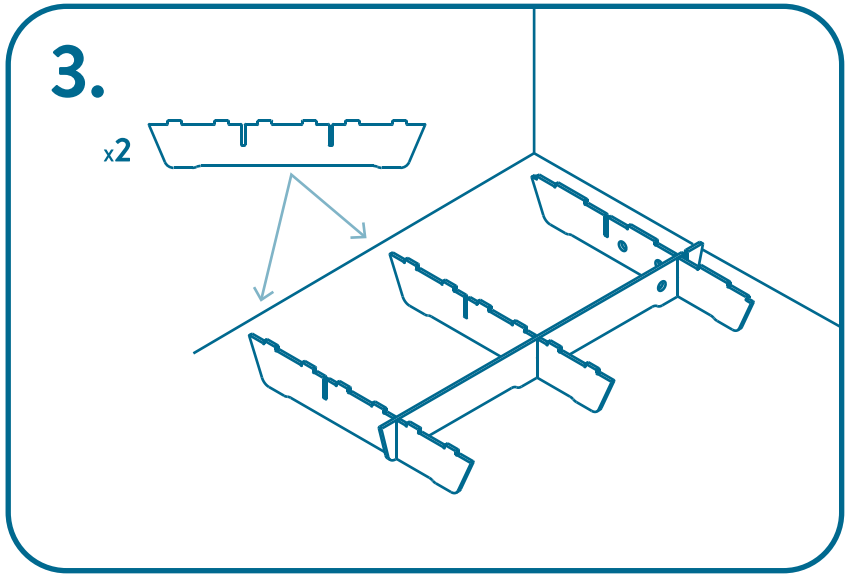
x1 

x1 





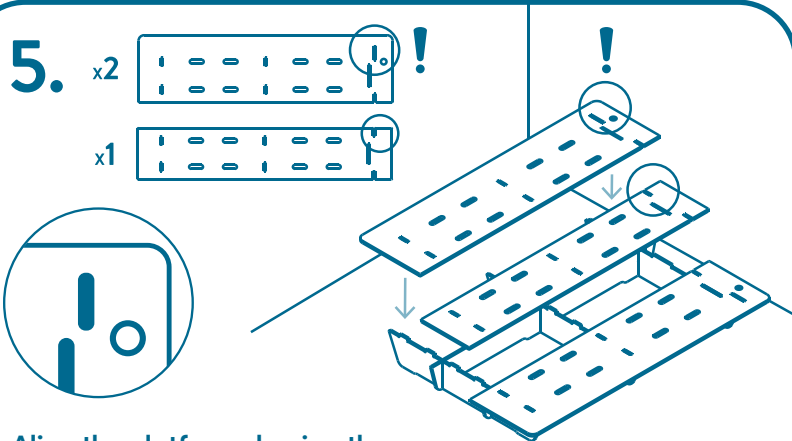
connect base






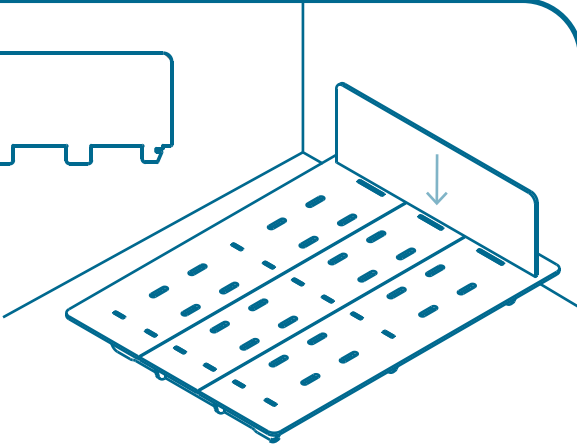


5. x2  !
x1  !



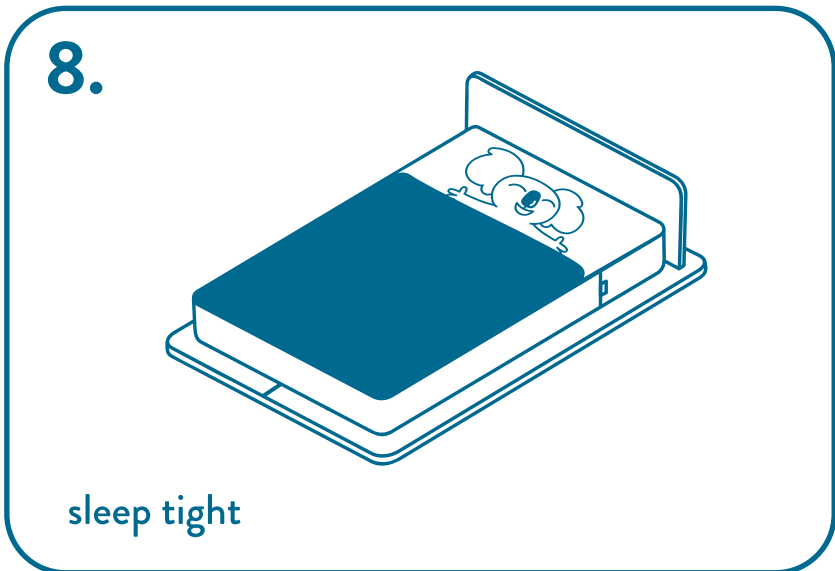
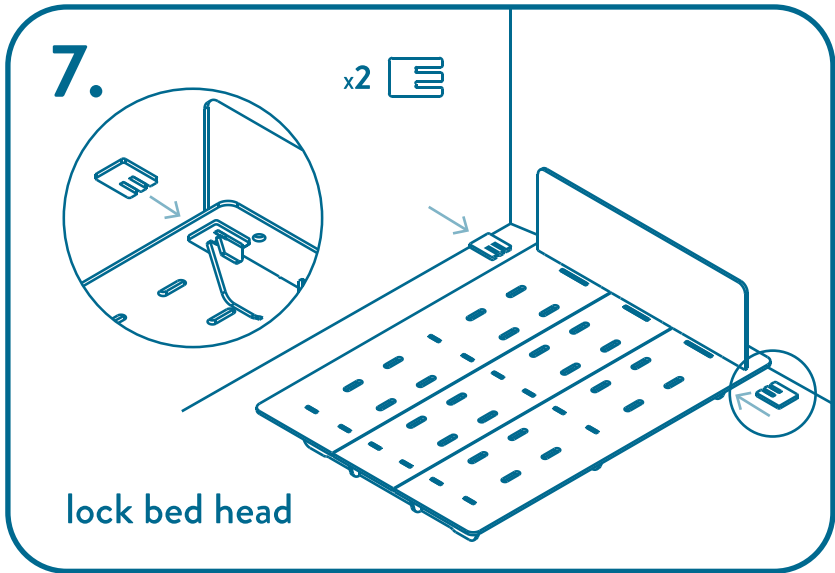
Align the platforms having the round hole on the upper left with the shortboard. Align the center platform having rectangle slots with shortboard.

6. x1 



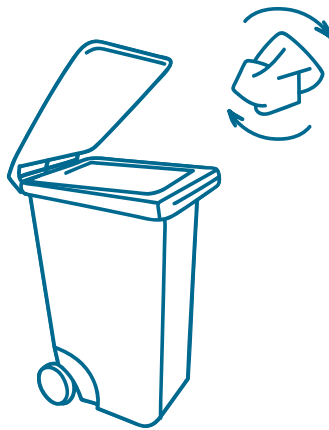
Insert the headboard into the insertion slot on the base on the head side from above.

Click the button
to watch the
assembly video



i bed you didn't see that coming.

Click the button
to watch the
assembly video



don't forget to recycle

koala