

Click the button  
to watch the  
assembly video




**SINGLE / KING SINGLE / DOUBLE  
TIMBER BED BASE**






# #sleepoverwithkoala

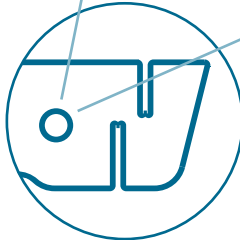
**1.**

x1 


x1 


**1. Find a Short board  
(for horizontal installation)  
with hole in center.**

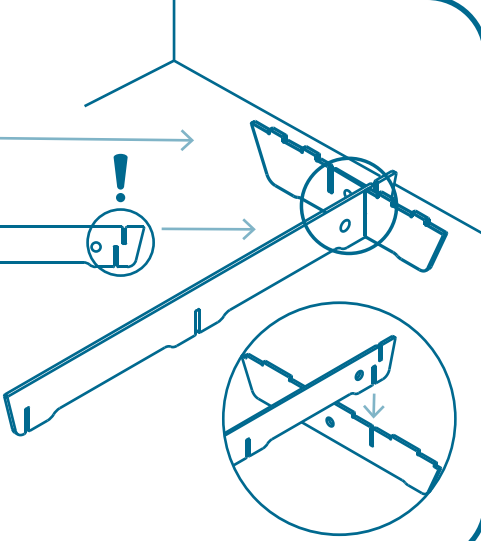
**2. Find a Sideboard  
(for vertical installation)  
with as hole in far right.**



**2.**

x1 

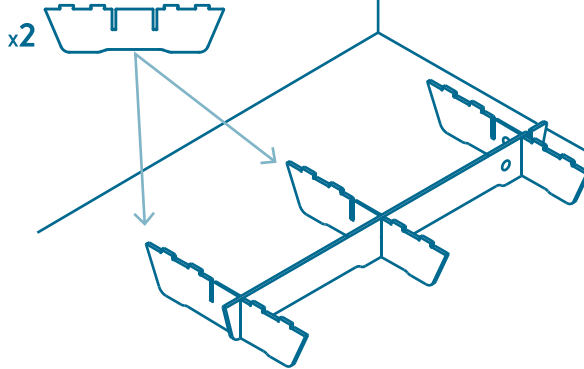
x1 



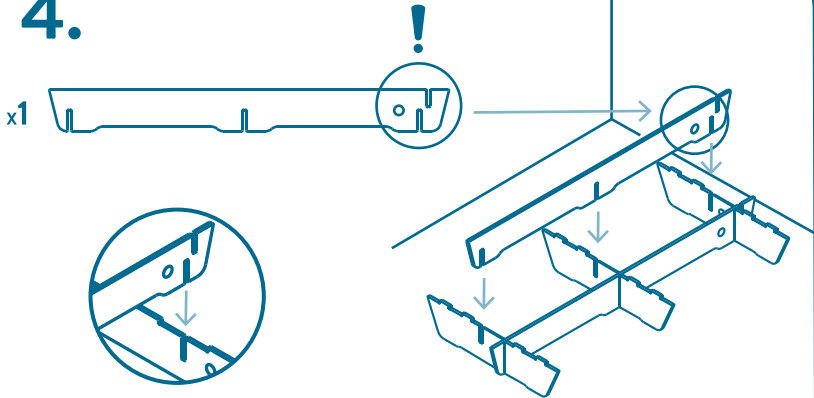
**connect base**



3.




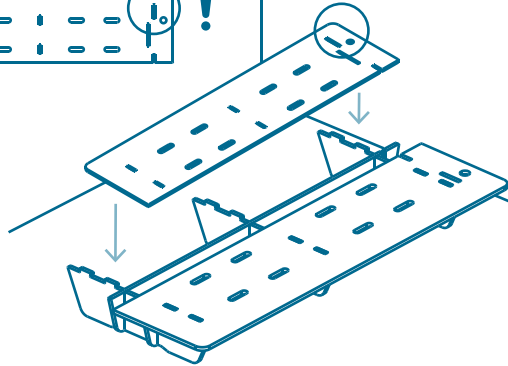
4.



Insert another sideboard in same order



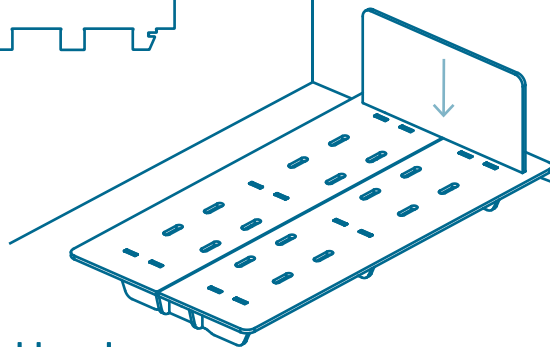
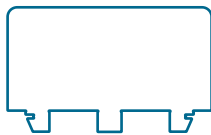
5. x2 



Align the platforms having the round hole on the upper left with the shortboard. Align the center platform having rectangle slots with shortboard.

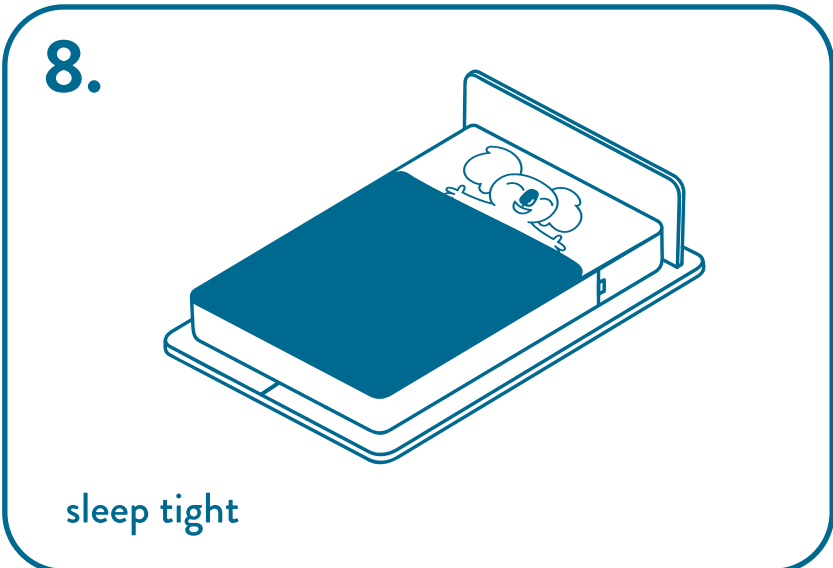
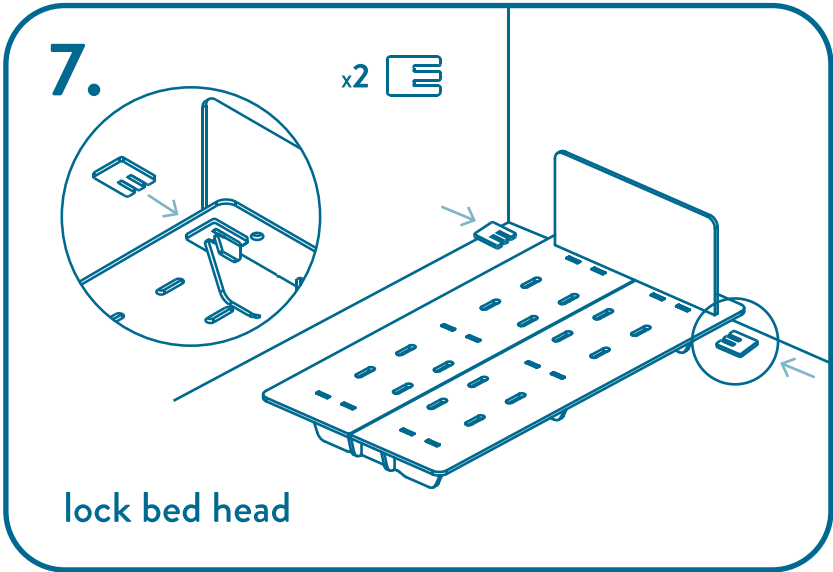
6.

x1



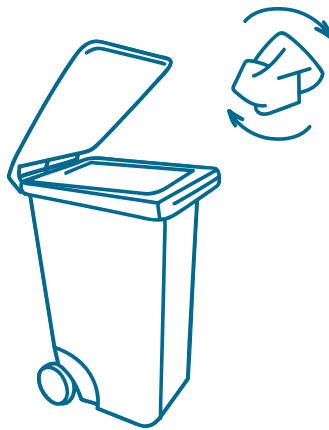
connect bed head

Click the button  
to watch the  
assembly video



i bed you didn't see that coming.

Click the button  
to watch the  
assembly video



**don't forget to recycle**

**koala**