

JOEY
by kóala

KOOKABURRA COT INSTRUCTION GUIDE

WARNING

PLEASE READ ALL INSTRUCTIONS BEFORE ASSEMBLY AND USE OF PRODUCT.

RETAIN THE ASSEMBLY INSTRUCTIONS FOR FUTURE REFERENCE: READ CAREFULLY.

DO NOT REMOVE THE WARNING LABEL FROM THE COT. THE ASSEMBLY OF PRODUCT REQUIRES TWO PEOPLE. FAILURE TO FOLLOW INSTRUCTIONS COULD LEAD TO SERIOUS INJURY OR DEATH.

ASSEMBLY WARNINGS

WARNING: DO NOT USE THE COT IF ANY PARTS ARE BROKEN, TORN OR MISSING AND USE ONLY SPARE PARTS APPROVED BY THE MANUFACTURER.

WARNING: ALL ASSEMBLY FITTINGS SHOULD ALWAYS BE TIGHTENED PROPERLY AND FITTINGS SHOULD BE CHECKED REGULARLY AND RE-TIGHTENED AS NECESSARY.

WARNING: DO NOT USE POWER DRILLS OR DRIVERS.

WARNING: BE AWARE OF RISK OF OPEN FIRE AND OTHER SOURCES OF STRONG HEAT SUCH AS ELECTRIC BAR FIRES, GAS FIRES, ETC. IN THE VICINITY OF THE COT.

STRANGULATION & FALL HAZARDS WARNINGS

WARNING: PLEASE ENSURE THE COT IS PLACED AWAY FROM CURTAINS, BLINDS, HEATERS AND POWER POINTS.

MAKE SURE COT IS AWAY FROM WINDOWS WHERE BABIES CAN REACH BLINDS OR CURTAIN CORDS.

IF YOU ARE LIVING IN RENTAL PROPERTY, SEEK HELP FROM YOUR LANDLORD OR AGENT TO ENSURE CORDS AND CHAINS ARE OUT OF THE REACH.

WARNING: MEDICATION, ELASTICS, TOYS AND SMALL ITEMS SUCH AS MONEY, COINS MUST BE KEPT OUT OF THE REACH FROM ANY POSITION IN AND AROUND THE COT.

WARNING: TO PREVENT STRANGULATION PLEASE MAKE SURE ALL FASTENING DEVICES ARE INSTALLED CORRECTLY AS PER INSTRUCTIONS.

WARNING: NEVER ADD A PILLOW, COMFORTER OR ADDITIONAL PADDING UNDER THE INFANT.

WARNING: NEVER USE PLASTIC SHIPPING BAGS OR PLASTIC FILM AS MATTRESS PROTECTOR.

WARNING: DO NOT LEAVE ANYTHING IN THE COT OR PLACE THE COT CLOSE TO ANOTHER PRODUCT WHICH CAN PROVIDE A FOOTHOLD OR PRESENT A DANGER OF SUFFOCATION OR STRANGULATION e.g STRINGS, TOYS, BLINDS, CURTAIN CORDS, COINS, ETC:

WARNING: TO PREVENT FALLS, THE MATTRESS BASE OF THIS COT SHOULD BE ADJUSTED TO THE LOWEST POSITION BEFORE THE CHILD CAN SIT UP.

MATTRESS & SLEEP WARNINGS

RECOMMENDED MATTRESS SIZE - THIS COT HAS BEEN MANUFACTURED FOR USE WITH A MATTRESS WHICH MEASURES 1320mm LONG BY 700mm WIDE AND NO MORE THAN 130mm THICKNESS. THE WIDTH AND LENGTH ARE SPECIFIED BECAUSE IT IS IMPORTANT THAT THE GAPS BETWEEN THE MATTRESS AND THE SIDES AND THE ENDS OF THE COT WILL NOT EXCEED 40mm WHEN THE MATTRESS IS PUSHED TO ONE SIDE OR END, AND 20mm WHEN THE MATTRESS IS CENTERED IN THE COT. THIS IS TO MINIMISE THE RISK OF A CHILDS LIMB BECOMING CAUGHT IN THE GAP. THE THICKNESS OF THE MATTRESS HAS BEEN SPECIFIED TO ENSURE THAT THE DEPTH OF THE COT IS GREATER THAN 500mm WITH THE MATTRESS BASE IN THE LOWER POSITION TO MINIMISE THE RISK OF A CHILD CLIMBING OR FALLING OUT OF THE COT.

USE THE KOALA JOEY BABY MATTRESS DESIGNED FOR THIS COT (SOLD SEPARATELY).

WARNING: TO PREVENT FALLS, THE MAXIMUM MATTRESS THICKNESS SHOULD NOT EXCEED 130mm.

WARNING: TO REDUCE THE RISK OF SIDS PEDIATRICIANS RECOMMEND INFANTS BE PLACED ON THEIR BACKS TO SLEEP.

THE LOWEST POSITION IS THE SAFEST AND THE MATTRESS BASE SHOULD ALWAYS BE USED IN THAT POSITION AS SOON AS BABY IS OLD ENOUGH TO SIT UP.

TO PREVENT INJURY FROM FALL, WHEN THE CHILD IS ABLE TO CLIMB OUT OF THE COT, THE COT SHALL NO LONGER BE USED FOR THE CHILD.

DO NOT USE MORE THAN ONE MATTRESS IN THE COT TO PREVENT SUFFOCATION HAZARD.

STORING WARNINGS

WHEN STORING THE COT USE CAUTION AS EXTREME CHANGES IN TEMPERATURE OR HUMIDITY CAN COMPROMISE THE COT MAKING IT DANGEROUS FOR CHILD.

USE CAUTION WHEN A VAPORIZER / HUMIDIFIER IS IN USE. ALWAYS AIM VAPOURISER/HUMIDIFIER AWAY FROM THE COT. PLEASE NOTE PROLONGED PERIODS OF HUMIDITY CAN COMPROMISE THE COT.

PRODUCT INFORMATION

THIS COT HAS BEEN ASSESSED BY FURNTECH-AFRDI AND FOUND TO COMPLY WITH THE REQUIREMENTS OF THE STANDARD AS/NZS 2172:2013-COT FOR HOUSEHOLD USE.



Blue Tick
Product
Certification

THIS COT HAS BEEN ENDORSED AND APPROVED BY INFANT & NURSERY PRODUCTS ALLIANCE OF AUSTRALIA (INPAA).



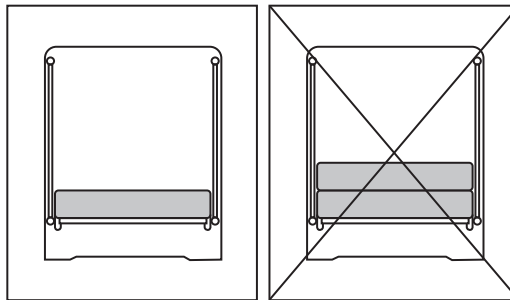
RED NOSE RECOMMENDATIONS

Red Nose Recommendations for babies aged 0-12 months to help reduce the risk of sudden infant death:



1. Always place baby on their back to sleep.
2. Keep baby's face and head uncovered.
3. Keep baby smoke free, before and after birth.
4. Use a safe sleeping environment, night and day.
5. Sleep baby in their own safe sleep space in the parent's or caregiver's room for the first 6 months.
6. Breastfeed baby.
7. Baby should always be placed on their back to sleep, with their feet at the bottom on the cot.

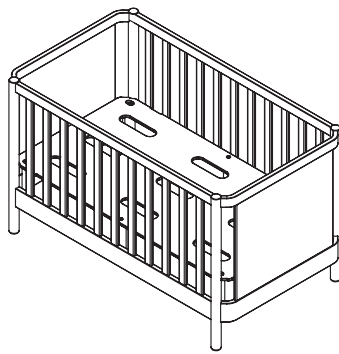
Do not place more than one mattress in a cot.



CARE RECOMMENDATIONS

1. Spot clean surface using a damp cloth.
2. Do not use harsh or abrasive cleaners as this may damage the surface of the product.
3. Don't place cot in direct sunlight as this may cause materials to fade or crack. Direct sunlight includes sunlight through a window.

Configuration



A. High Configuration

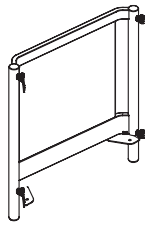


B. Low Configuration



After reading the warnings, the red nose recommendations, and the care recommendations, scan the QR code to watch a video which demonstrates how to assemble the cot.

What's in the box



End Panel x2



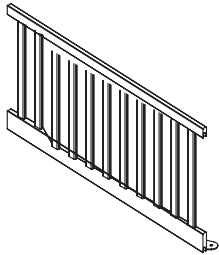
Retainer x4



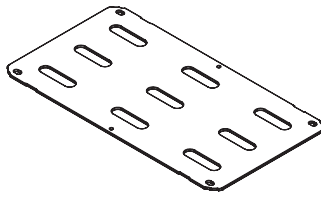
Safety Bolt x4



Corner Spacer x4



Side Panel x2



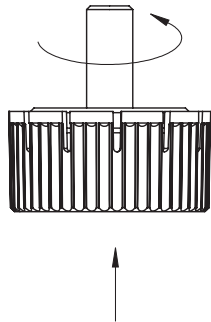
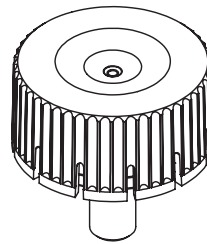
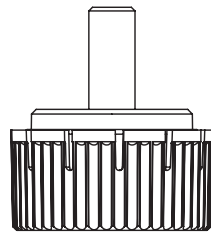
Base Platform x1



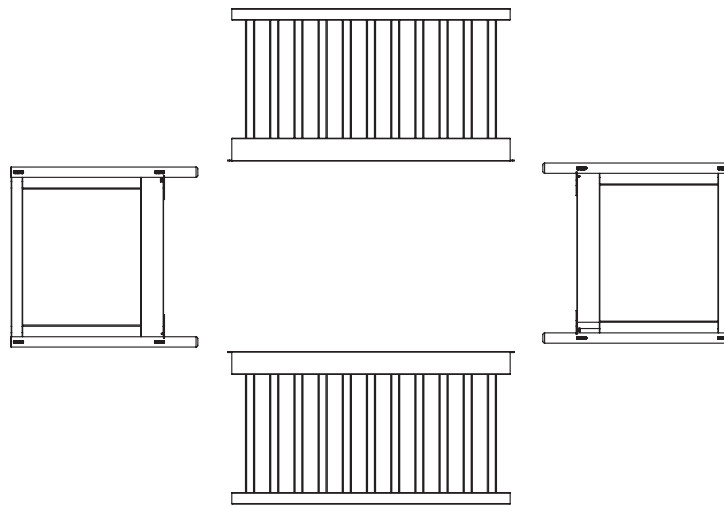
Middle Spacer x2

Introducing the Koala safety bolt

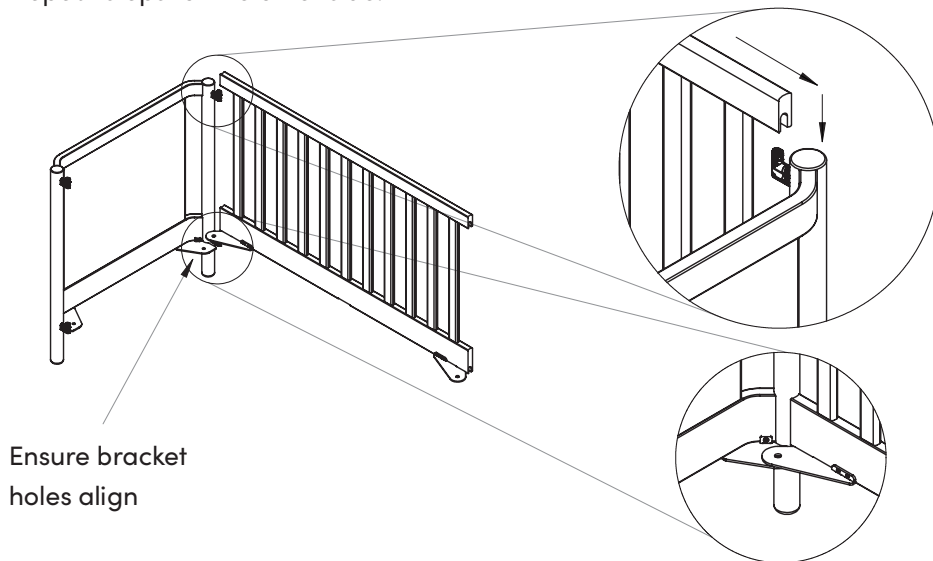
Ensure that cap is pressed up when rotating.



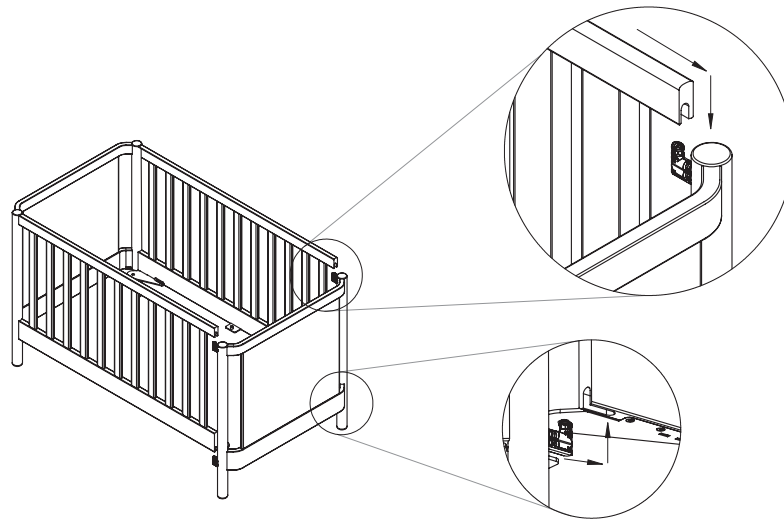
Lay out the side and end panels on the floor with hooks facing upwards.



Step 1: Align end panel hooks with the side panel slots. Push the side panel down to make sure they are locked in. Repeat steps for the other side.

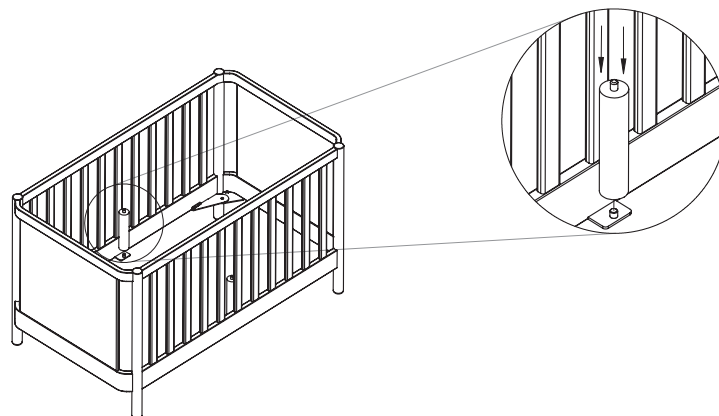


Step 2: Assemble the end panel into position and secure with hooks.



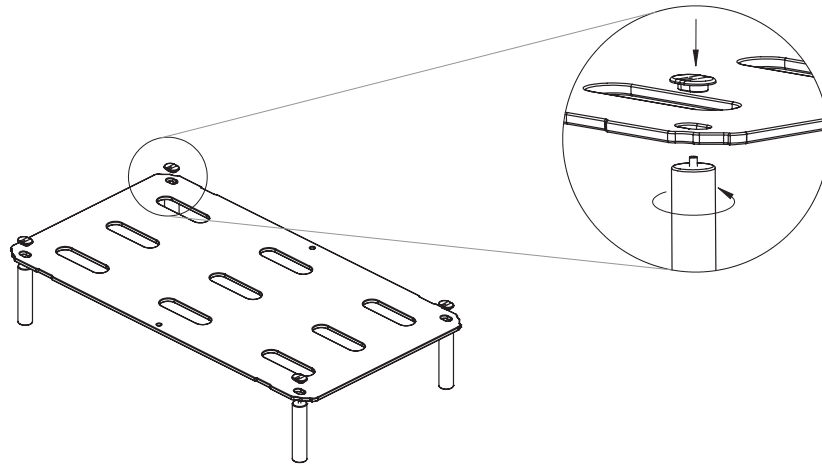
Note: The following steps are for the high configuration, for low configuration go to step 3B.

Step 3A: Place the middle spacers into the centre pins and ensure they are upright.



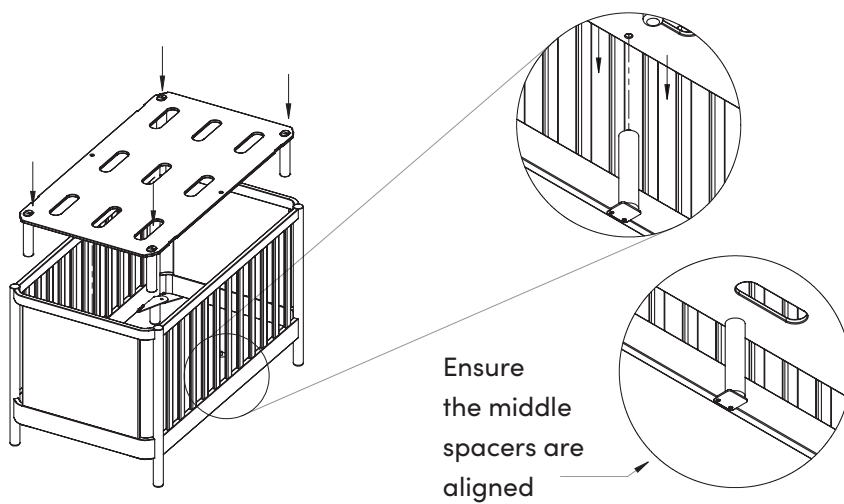
A. High Configuration

Step 4A: For the baby configuration, fasten the threaded spacers to the retainer through the base panel. Repeat on all corners.



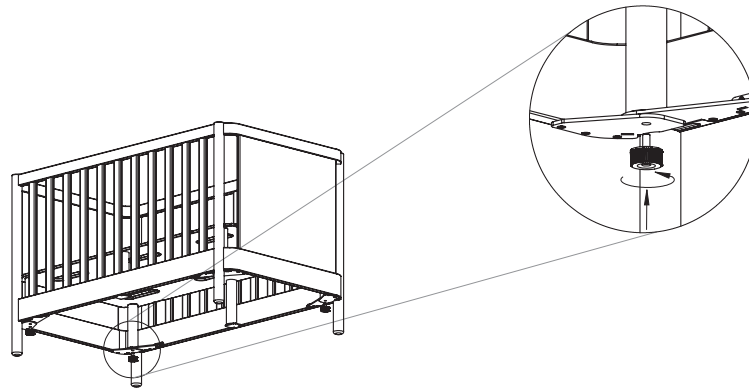
A. High Configuration

Step 5A: Lower the bed base with attached spacers onto the support brackets. Align the bottom hole of the spacers with the holes on the metal brackets.

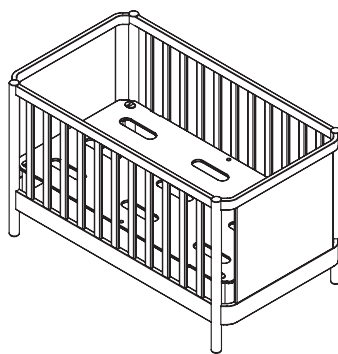


A. High Configuration

Step 6A: Fasten the bed base down by screwing the safety bolts into the bottom of the corner spacers through the metal brackets.



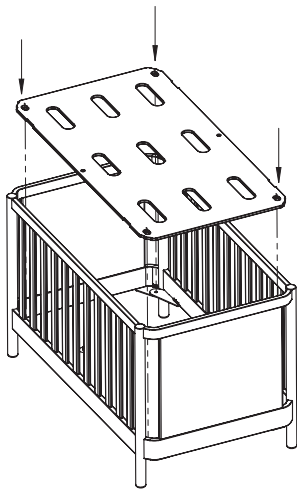
Note: All assembly fittings should always be tightened properly and fittings should be checked regularly and re-tightened as necessary.



A. High Configuration

B. Low Configuration

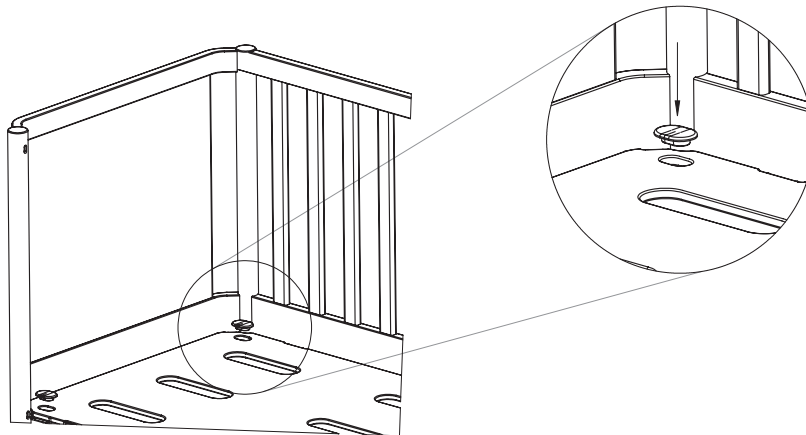
Step 3B: Lower the bed base onto the support brackets. Align the corner holes of the bed base with the holes on the metal brackets.



Note: This configuration does not need corner spacers and middle spacers and they should be stored properly.

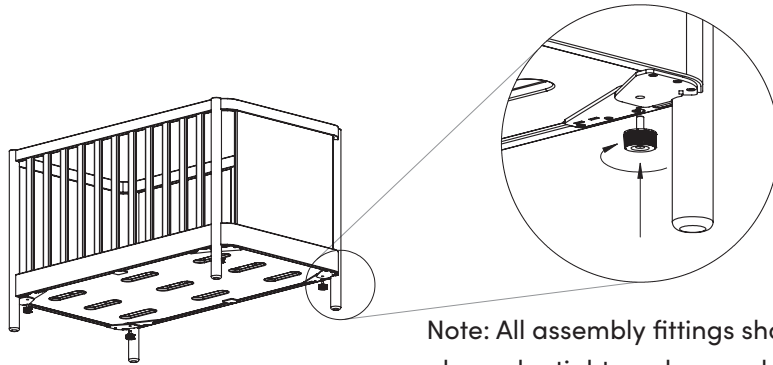
B. Low Configuration

Step 4B: Place retainers on all four corners.



B. Low Configuration

Step 5B: Fasten the bed base down by screwing the safety bolts into the retainers through the metal brackets.



Note: All assembly fittings should always be tightened properly and fittings should be checked regularly and re-tightened as necessary.



B. Low Configuration

Manufactured for Koala Sleep Pty Ltd

Website: koala.com

Phone: 1800 575 337

Address: Unit 12 37-41 O'Riordan Street, Alexandria,
NSW 2015, Australia

Date of launch - 03/2023

SKU-105-0007

This COT is intended for newborn babies to toddlers up to an age of 3.5 years old or when they are observed attempting to climb out of the cot and looking like they might succeed. This usually occurs when the baby is between 2 and 3 ½ years of age but could be as early as 18 months.