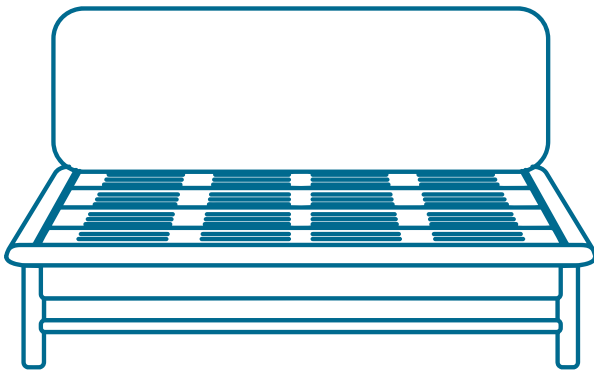


Click the button
to watch the
assembly video

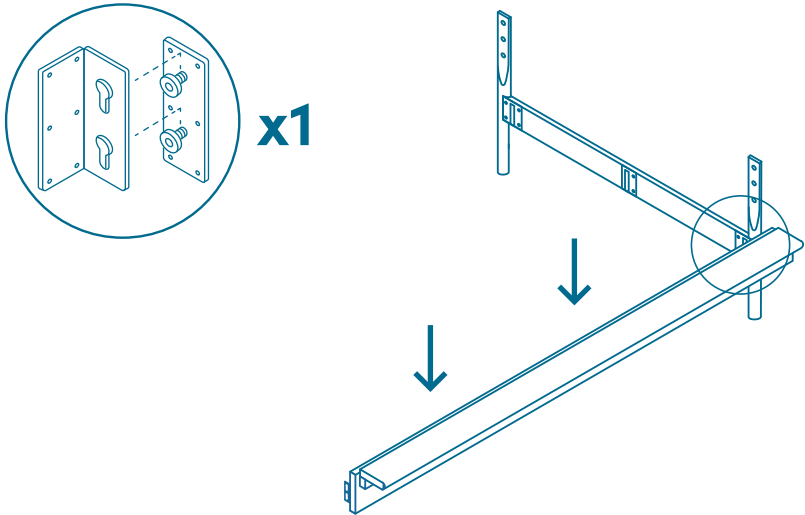


**KING
PADDINGTON BED BASE**

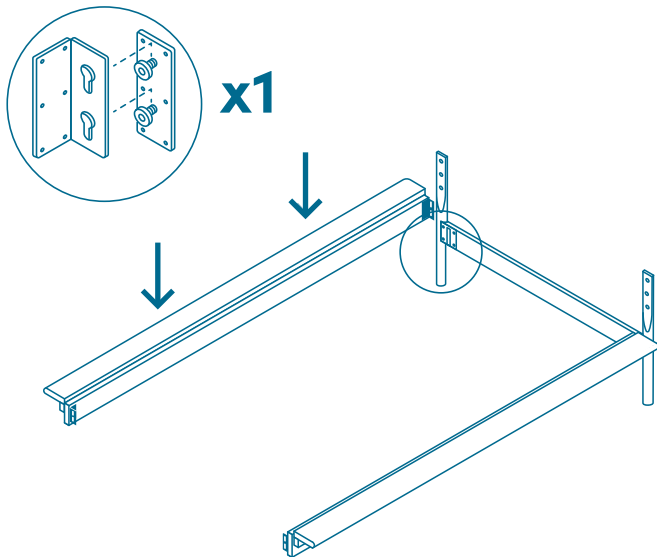
koala

- 1.** Attach side panel bracket to headboard bracket and push down.

Click the button
to watch the
assembly video

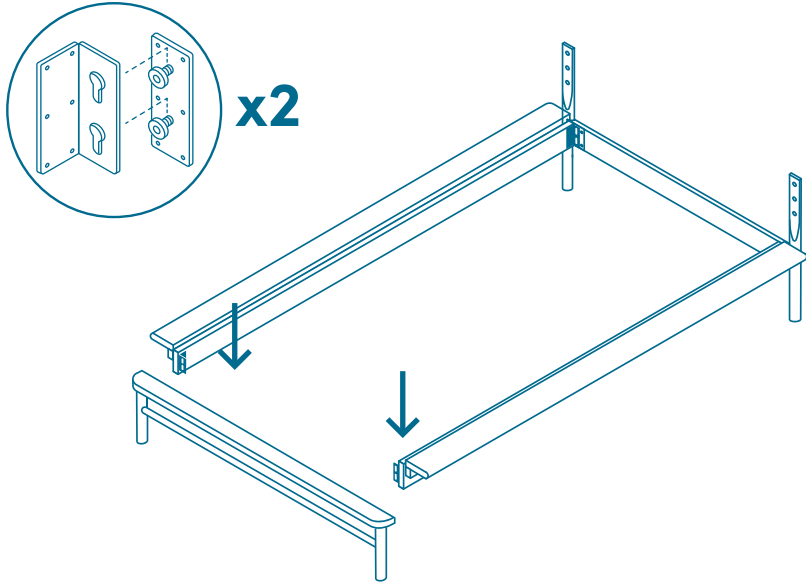


- 2.** Repeat for the other side.

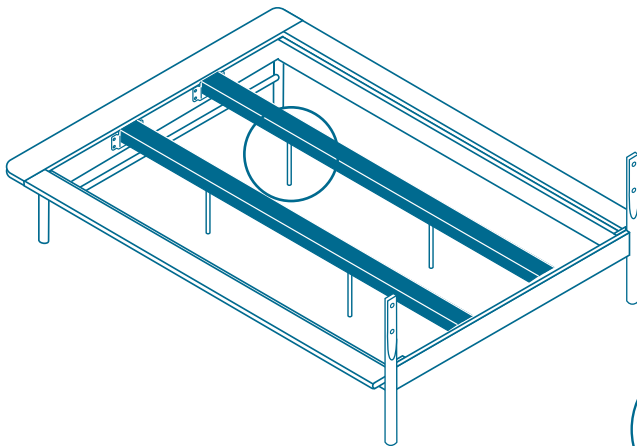
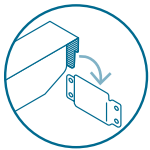


3. Attach side panels to the foot rail.

Click the button
to watch the
assembly video



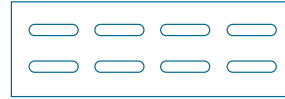
4. Screw legs (x4) in middle centre supports, then attach centre supports to headboard and footrail frame.



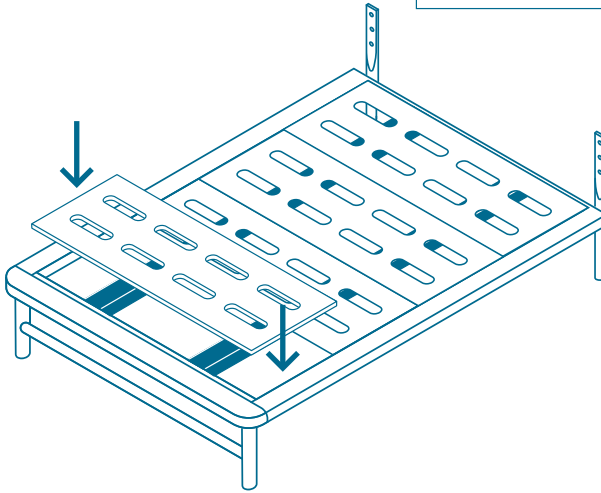
Adjust feet so it almost touches the ground

- 5.** Lower the slat panel onto the bed base.
To secure the slat press down on the velcro firmly until you hear a click.
Repeat with all slat panels.

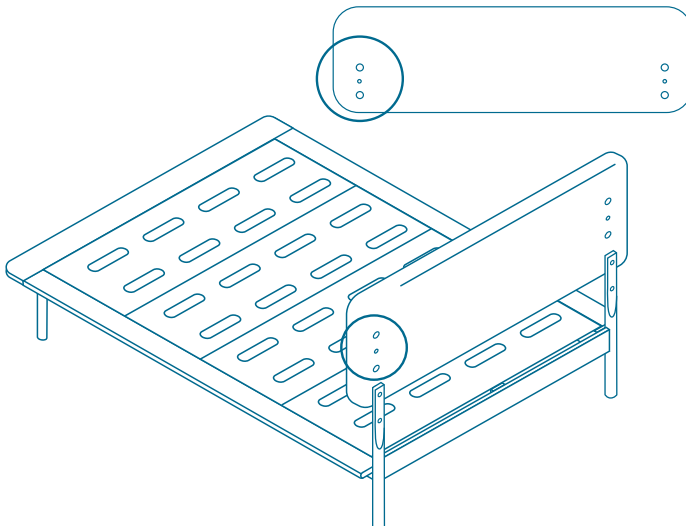
Click the button
to watch the
assembly video



x4



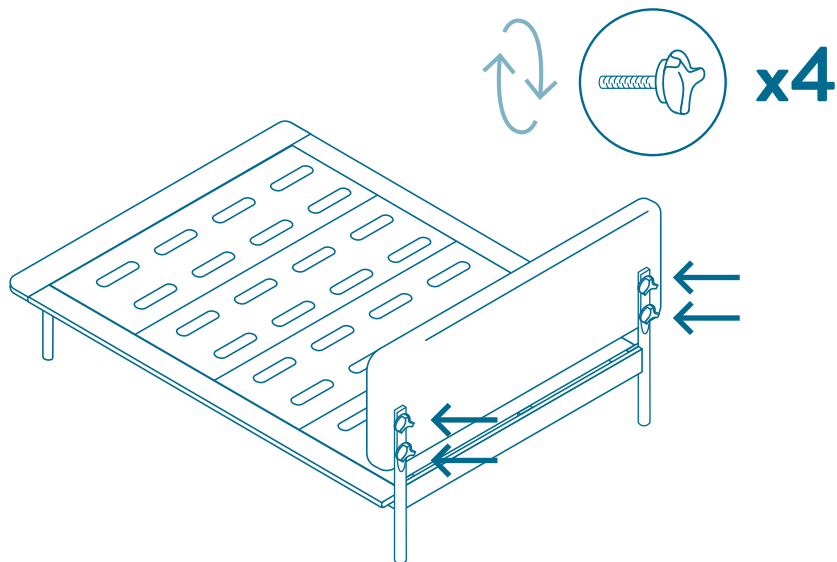
- 6.** Align holes of headboard with holes on headboard bracket.



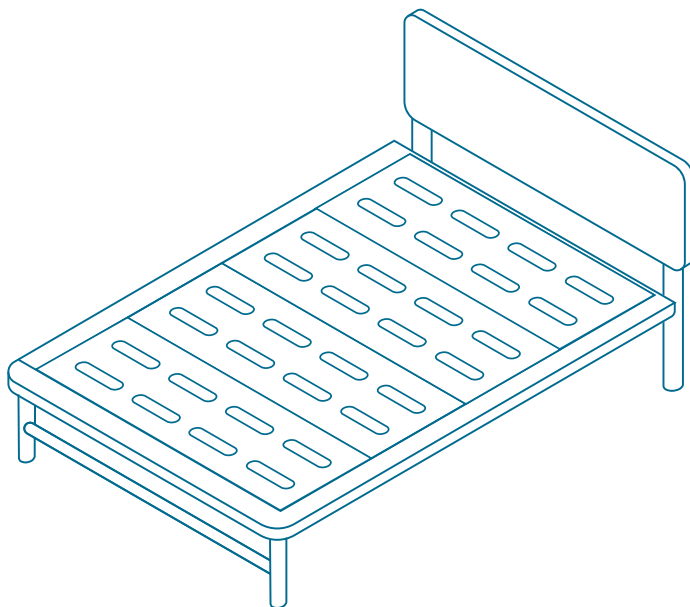
NOTE - Insert 2x dowels into the centre holes of the headboard for better alignment

7. Secure headboard by using the gumnuts provided.

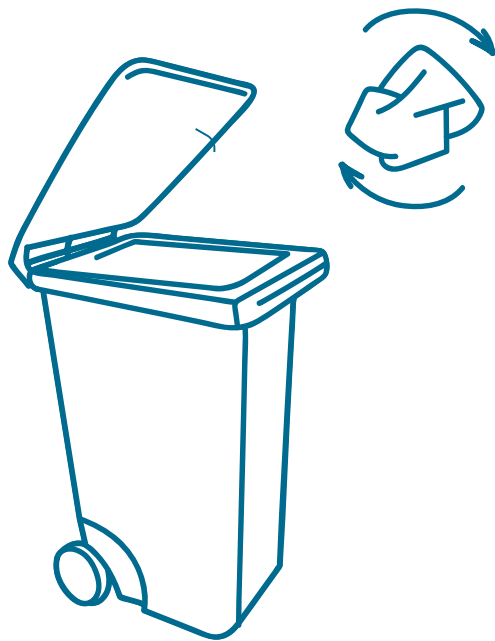
Click the button
to watch the
assembly video



8. Enjoy!



Click the button
to watch the
assembly video



don't forget to recycle.

koala