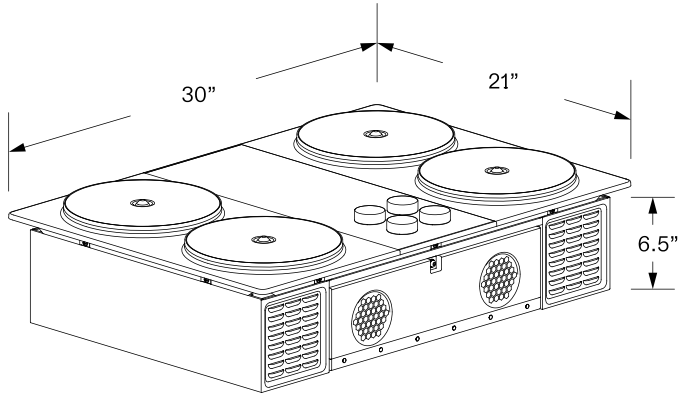
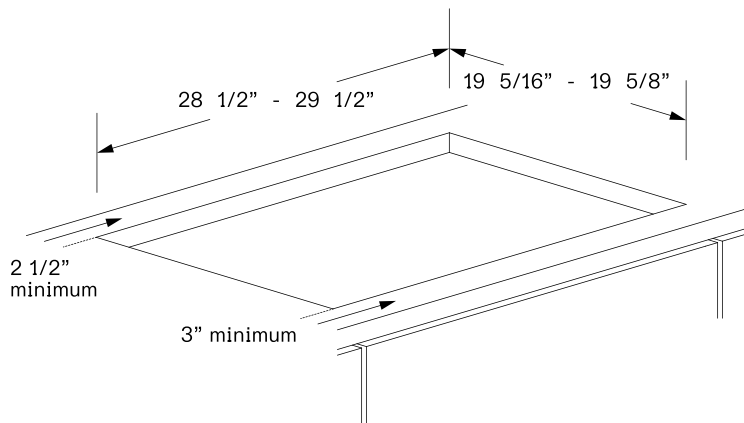


Induction Cooktop

PRODUCT SIZE & SPECIFICATIONS



Overall Width	30"
Overall Depth from Rear	21"
Overall Height	
Above top surface of counter	1 1/8"
Below top surface of counter	6.5"
Burner Diameter [4]	9"
Max Power Capacity	10 kW per burner
User Interface	LCD Display Removable Magnetic Knobs LED Burner Rings
Battery Capacity	3 kWh



CUTOUT SIZE

Cutout Width	28 1/2" - 29 1/2"
Cutout Depth	19 5/16" - 19 5/8"
Clearance from Rear Wall	2 1/2" [minimum]
Clearance from Front Edge of Counter	3" [minimum]
Clearance from Cabinetry on Counter Next to Cooktop	3" [minimum]

INSTALLATION SPECIFICATIONS

ELECTRICAL

120V and 240V compatibility

Inverter can support up to 2 kW pulled from AC grid

MILLWORK / PHYSICAL CONSTRAINTS

Ventilation hood must be 30" [minimum] above the surface of the burners.

Cooktop must not be installed above refrigerators / freezers, dishwashers, or washer / dryers.

We recommend no cabinets directly above the cooktop, but it is possible.

Note that additional ventilation clearances will be required below the cooktop.

We recommend installing an open cabinet below the stove [e.g. for trash bins and storage] for easy access underneath and full ventilation. A drawer at ground level is also an option.

