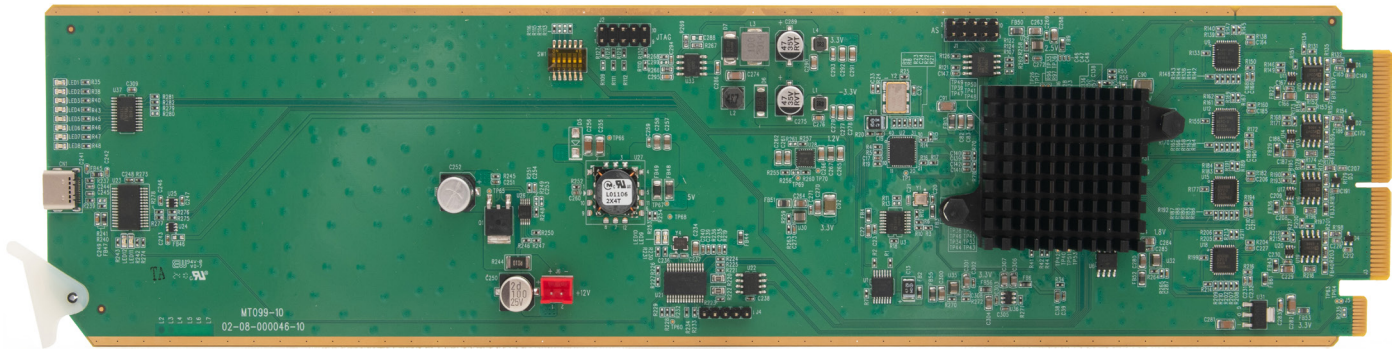


openGear OG-SYNC

openGear Sync Generator



OG-SYNC-MB

Key Features

- OGX/3.0 card-based form factor
- Dashboard control enabled
- Four independent configurable outputs for black burst or tri-level sync
- Supports NTSC/PAL black burst and HD tri-level sync
- Conforms to SMPTE 274M and 296M HD standards
- Conforms to SMPTE 170M(NTSC) or PAL standards
- Generates 48 KHz TTL-level Word clock output
- AES tone is available for AES outputs
- Does not require external reference to generate black burst or tri-level sync
- Low power consumption
- 5 year limited warranty

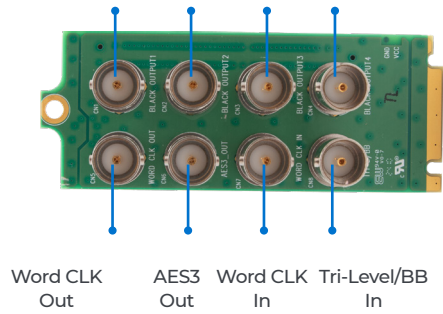
OPENGEAR

OG-SYNC

OG-SYNC-RM

Rear Module (2 slots)

4 Independent configurable outputs for tri-level/black burst



How to Order

OG-SYNC-SET-1

OG-SYNC-MB +

OG-SYNC-RM-RM

Related Products

OGX-FR-C-P

openGear X frame

Specifications

Input	Black Burst, Tri-level Sync, Word Clock	Output	Black Burst, Tri-level Sync, Word Clock
Control	Dashboard		