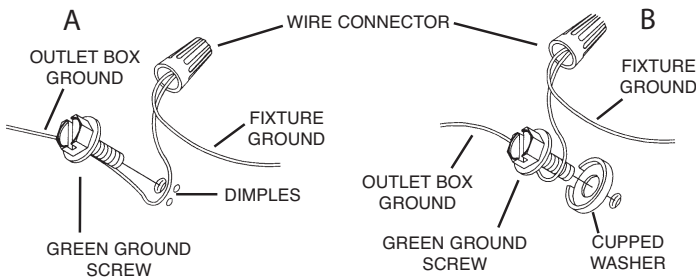


CAUTION – RISK OF SHOCK –
Disconnect Power at the main circuit breaker panel or main fuse box before starting and during the installation.

ILLUSTRATION A

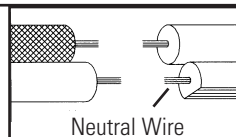
- 1) At the center of the backpan is a hole, insert plastic bushing.
- 2) At the center of the backpan are knockout slots. Remove the set that matches your outlet box.
- 3) Grounding instructions for United States installation only: (See Illus. A or B).
 - A) On fixtures where mounting strap is provided with a hole and two raised dimples. Wrap ground wire from outlet box around green ground screw, and thread into hole.
 - B) On fixtures where a cupped washer is provided. Attach ground wire from outlet box under cupped washer and green ground screw, and thread into mounting strap. If fixture is provided with ground wire. Connect fixture ground wire to outlet box ground wire with wire connector. After following the above steps. Never connect ground wire to black or white power supply wires



- 4) Slip wires from sockets through plastic bushing
- 5) Make wire connections. Reference chart below for correct connections and wire accordingly.

Connect Black or Red Supply Wire to:	Connect White Supply Wire to:
Black	White
*Parallel cord (round & smooth)	*Parallel cord (square & ridged)
Clear, Brown, Gold or Black without tracer	Clear, Brown, Gold or Black with tracer
Insulated wire (other than green) with copper conductor	Insulated wire (other than green) with silver conductor

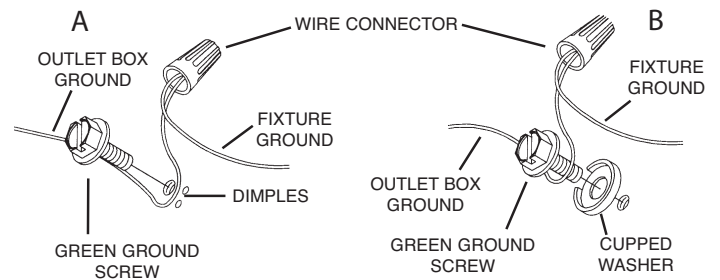
*Note: When parallel wires (SPT I & SPT II) are used. The neutral wire is square shaped or ridged and the other wire will be round in shape or smooth (see illus.)



- 6) Secure the backpan to the outlet box.
- 7) Anchor the backpan to the wall using the set of holes at each end with wood screws, toggle bolts, plastic anchors, etc.
- 8) Slip faceplate over sockets and backpan. NOTE: be certain wire do not get pinched between backpan and faceplate.
- 9) Push and twist socket cups onto sockets.
- 10) It is advisable to periodically check security of socket cups, especially after cleaning.

ILLUSTRATION B

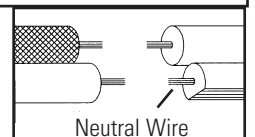
- 1) At the center of the backpan is a hole, remove the 7/8" diameter knockout and one of the slotted knockouts opposite the 7/8" diameter knock out.
- 2) Run wire from Romex®/conduit through 7/8" diameter hole and secure in place with locknut.
- 3) Anchor the backpan to the wall using the set of holes at each end with wood screws, toggle bolts, plastic anchors, etc.
- 4) Grounding instructions for United States installation only: (See Illus. A or B).
 - A) On fixtures where mounting strap is provided with a hole and two raised dimples. Wrap ground wire from outlet box around green ground screw, and thread into hole.
 - B) On fixtures where a cupped washer is provided. Attach ground wire from outlet box under cupped washer and green ground screw, and thread into mounting strap. If fixture is provided with ground wire. Connect fixture ground wire to outlet box ground wire with wire connector. After following the above steps. Never connect ground wire to black or white power supply wires.



- 5) Make wire connections. Reference chart below for correct connections and wire accordingly.

Connect Black or Red Supply Wire to:	Connect White Supply Wire to:
Black	White
*Parallel cord (round & smooth)	*Parallel cord (square & ridged)
Clear, Brown, Gold or Black without tracer	Clear, Brown, Gold or Black with tracer
Insulated wire (other than green) with copper conductor	Insulated wire (other than green) with silver conductor

*Note: When parallel wires (SPT I & SPT II) are used. The neutral wire is square shaped or ridged and the other wire will be round in shape or smooth (see illus.)



- 6) Slip faceplate over sockets and backpan. NOTE: Be certain wire do not get pinched between backpan and faceplate.
- 7) Carefully center mirror panel over two sockets then push and twist socket cups onto sockets to secure in place. Repeat for each panel.
- 8) If mirror panels do not stay aligned, disassemble socket cups and mirror panels and affix double face tape above and below each large hole in faceplate then re-assemble. Fixture is supplied with double face tape for permanent mounting of mirror panels. It is suggested that tape only be used if mirror panels do not stay aligned. NOTE: IF USING TAPE, DO NOT USE ON END MIRROR PANELS UNTIL FIXTURE FACE DOES NOT HAVE TO BE REMOVED. FOR ANY REASON, SUCH AS FOR ELECTRICAL INSPECTION.
- 9) Insert recommended lamps and turn on power.
- 10) It is advisable to periodically check security of socket cups, especially after cleaning.

DESIGN OF
FACEPLATE MAY
VARY DEPENDING
UPON THE STYLE
YOU'VE CHOSEN.

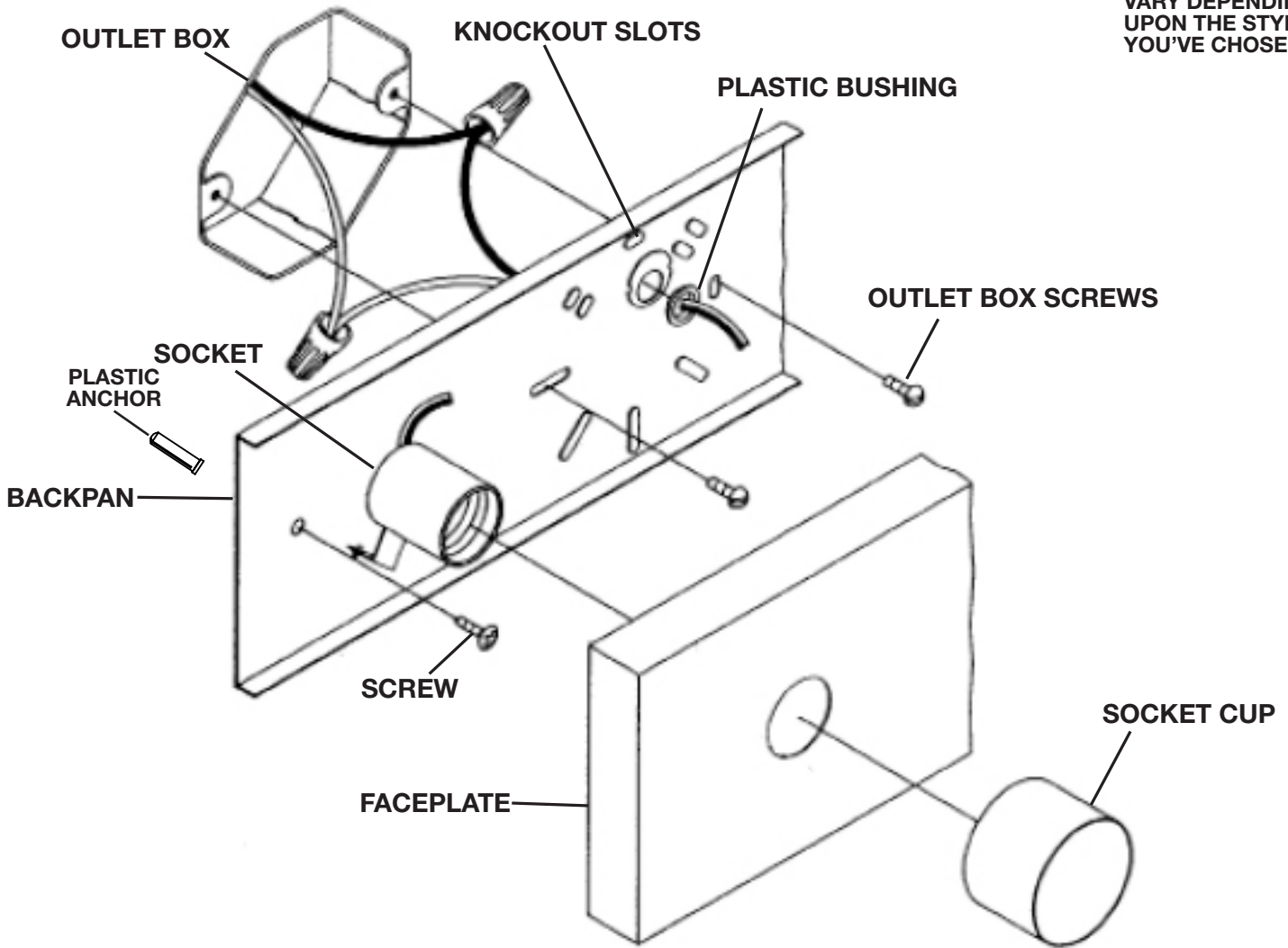


ILLUSTRATION B

DESIGN OF
FACEPLATE MAY
VARY DEPENDING
UPON THE STYLE
YOU'VE CHOSEN.

