

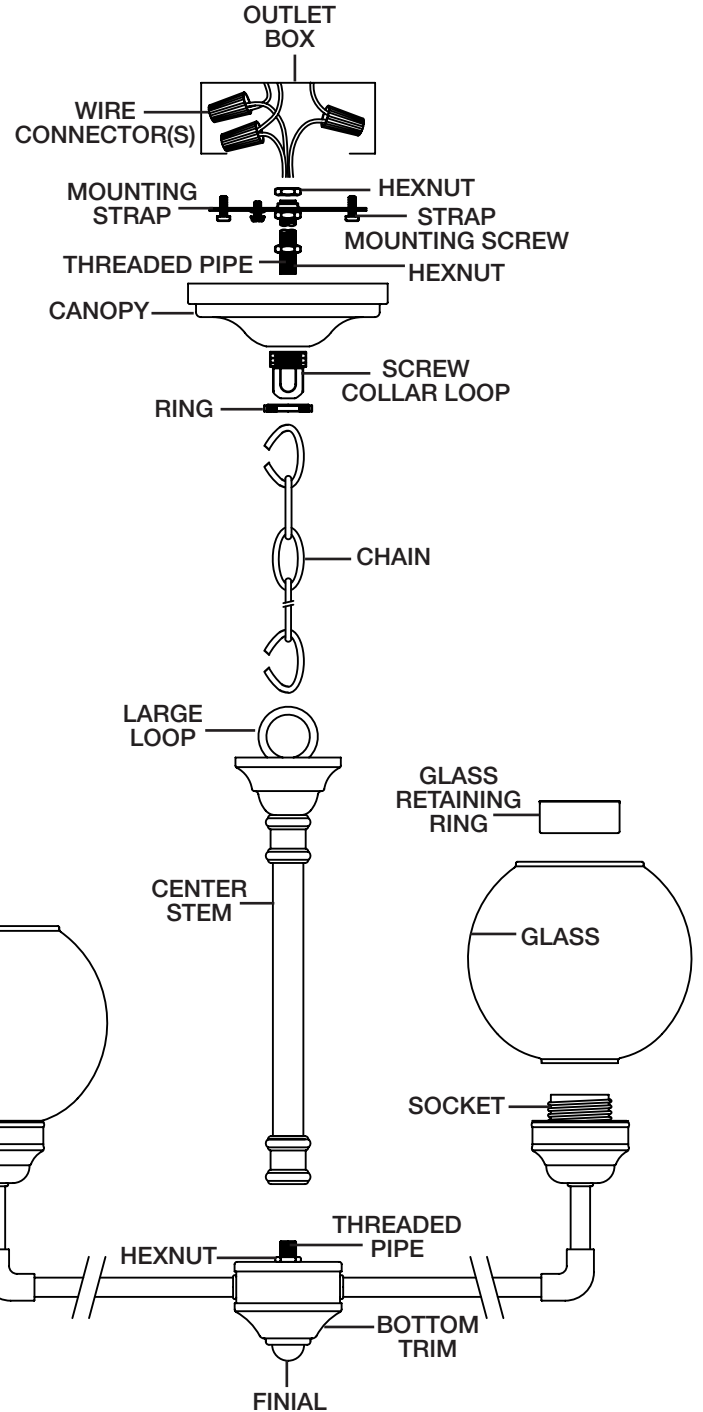
**CAUTION – RISK OF SHOCK –**

Disconnect Power at the main circuit breaker panel or main fuse box before starting and during the installation.

**INSTRUCTIONS**

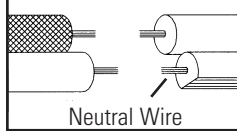
For Assembling and Installing Fixtures in Canada  
Pour L'assemblage et L'installation Au Canada

- 1) Take threaded nipple from parts bag and screw in screw collar loop a minimum of 6 mm (1/4"). Lock into place with hexnut.
- 2) Run another hexnut down threaded nipple almost touching first hexnut. Now screw threaded pipe into mounting strap. Mounting strap must be positioned with extruded thread faced into outlet box. Threaded nipple must protrude out the back of mounting strap. Screw third hexnut onto end of threaded nipple protruding from back of mounting strap.
- 3) Connect mounting strap to outlet box.
- 4) Unscrew the threaded ring from screw collar loop. Take canopy and pass over screw collar loop. Approximately one half of the screw collar loop exterior threads should be exposed. Adjust screw collar loop by turning assembly up or down in mounting strap. Remove canopy.
- 5) After desired position is found, tighten both top and bottom hexnuts up against the bottom and top of the mounting strap.
- 6) Slip canopy over screw collar loop and thread on threaded ring. Attach chain (with fixture connected) to bottom of screw collar loop. Close chain link ends together using chain pliers or padded pliers to prevent damage to finish. Unscrew threaded ring, let canopy and threaded ring slip down.
- 7) Weave electrical wire and ground wire through chain links no more than 3 inches apart. Pass wire through threaded ring, canopy, screw collar loop, threaded pipe and into outlet box.
- 8) Make wire connections. Reference chart below for correct connections and wire accordingly.



Connect Black or Red Supply Wire to:	Connect White Supply Wire to:
Black	White
*Parallel cord (round & smooth)	*Parallel cord (square & ridged)
Clear, Brown, Gold or Black without tracer	Clear, Brown, Gold or Black with tracer
Insulated wire (other than green) with copper conductor	Insulated wire (other than green) with silver conductor

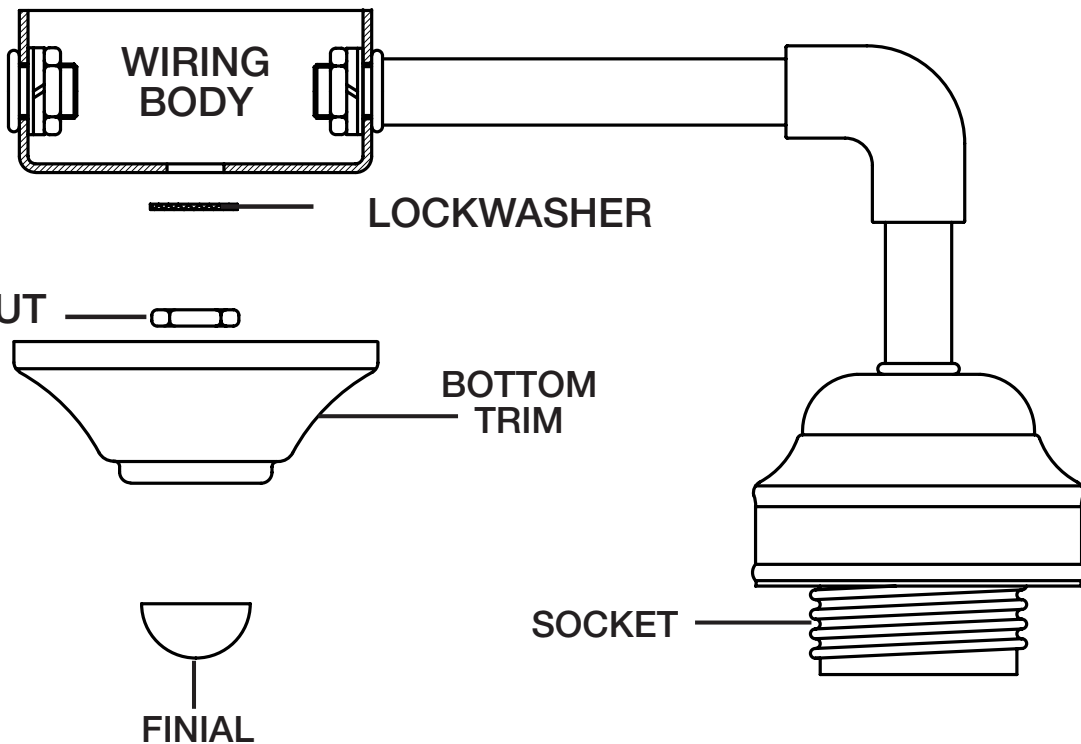
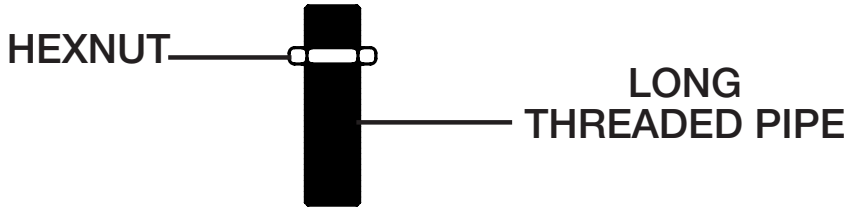
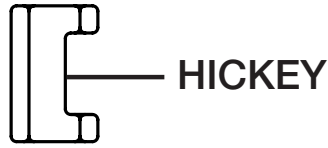
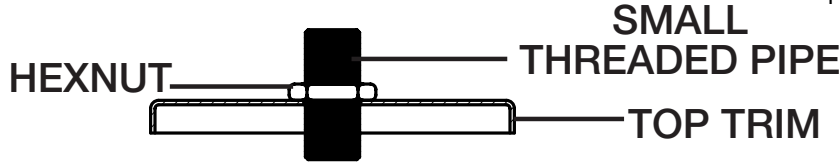
\*Note: When parallel wires (SPT I & SPT II) are used. The neutral wire is square shaped or ridged and the other wire will be round in shape or smooth (see illus.)



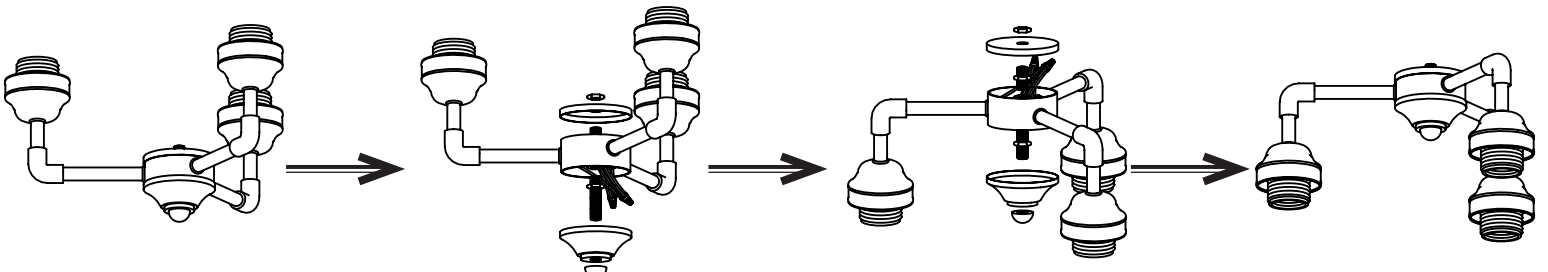
- 9) Raise canopy to ceiling.
- 10) Secure canopy in place by tightening threaded ring onto screw collar loop.
- 11) Set glass down over sockets and rest on top of socket cup.
- 12) Thread socket rings onto sockets. Tighten socket rings to secure glass in place. (DO NOT over tighten.)
- 13) Insert recommended bulbs (not included).

**OPTIONAL DOWNLIGHT**

**INSTRUCTIONS**  
For Assembling and Installing Fixtures in Canada  
Pour L'assemblage et L'installation Au Canada



**STEPS FOR CHANGING TO DOWNLIGHT**



**OPTIONAL DOWNLIGHTING**

- 1) Remove finial and bottom trim.
- 2) Loosen hexnut and remove with long threaded pipe.
- 3) Remove wire nuts, noting the fixture wire set coming into wiring body and the socket wires. Carefully pull fixture wires thru hickey and out of top trim.
- 4) Remove hickey. Remove top trim from wiring body with small threaded pipe. Keep small threaded pipe in top trim with hexnut on outside. While holding hexnut, thread hickey on opposite side inside top trim. Tighten to secure.
- 5) Flip wiring body over with lights facing downward. Lower top trim with hickey facing open side of wiring body. Pass fixture wires thru small threaded pipe and thru cutout in hickey. Make wire connections accordingly as noted from step #3.

- 6) Pass wiring body over threaded pipe. Pass lockwasher over pipe and thread hexnut onto pipe. Tighten to secure.
- 7) Reinstall long threaded pipe with hexnut into bottom side of hickey. Hexnut should be low enough to allow threaded pipe into hickey until top of pipe reaches cutout in hickey. Thread hexnut up to hickey and tighten to secure. Pass lower trim onto long threaded pipe. Thread finial onto pipe and tighten to secure.
- 8) Continue with steps 1-14 from Chain Hung instructions.