

WARNING:

- This fixture is intended for installation in accordance with the National Electric Code (NEC) and all local code specifications.
- Supply wires are not intended for use through or concealed behind walls, floors, or ceilings.
- The LED light output is strong enough to injure human eyes. Precautions must be taken to prevent looking directly at LED's with unaided eyes for more than a few seconds.

DIMMING: This LED fixture is compatible with most standard incandescent dimmers, LED dimmers, and electronic low voltage dimmers. For optimal performance, an electronic low voltage dimmer should be used.

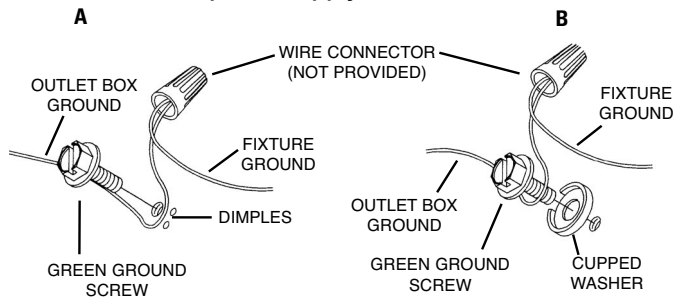
- 1) Read and understand all instructions and illustrations completely before proceeding with assembly and installation of fixture.
- 2) If you have any doubts about how to install this fixture, or if the fixture fails to operate completely, please contact a qualified electrician.
- 3) All parts must be used as indicated in the instructions. Do not substitute any parts, leave parts out, or use any parts that are worn or broken. Failure to obey this instruction could invalidate the UL listing, C.S.A. certification, and/or ETL listing of this fixture.
- 4) Fixture is to be connected to a single branch circuit.

1) **TURN OFF POWER.**

IMPORTANT: Before you start, NEVER attempt any work without shutting off the electricity until the work is done.

- a) Go to the main fuse, or circuit breaker, box in your home. Place the main power switch in the "OFF" position.
 - b) Unscrew the fuse(s), or switch "OFF" the circuit breaker switch(s), that control the power to the fixture or room that you are working on.
 - c) Place the wall switch in the "OFF" position. If the fixture to be replaced has a switch or pull chain, place those in the "OFF" position.
- 2) Unscrew glass cage retaining screws from glass cage assembly.
 - 3) Remove all packaging materials from inside glass cage assembly.
 - 4) Place roof down on top of glass cage assembly. Thread screws from step 2 into holes in roof. Tighten screws to secure roof to glass cage assembly.
 - 5) Find the appropriate threaded holes on mounting strap. Assemble mounting screws into threaded holes.
 - 6) Attach mounting strap to outlet box (Screws not provided). Mounting strap can be adjusted to suit position of fixture.
 - 7) Grounding instructions: (See Illus. A or B).
 - A) On fixtures where mounting strap is provided with a hole and two raise dimples. Wrap ground wire from outlet box around green ground screw, and thread into hole.
 - B) On fixtures where a cupped washer is provided. Put ground wire from outlet box under cupped washer and green ground screw and thread screw into hole in mounting strap.

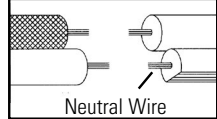
If fixture is provided with ground wire. Connect fixture ground wire to outlet box ground wire with wire connector, after following the above steps. Never connect ground wire to black or white power supply wires.



- 8) Make wire connections. Reference chart below for correct connections and wire accordingly.

Connect Black or Red Supply Wire to:	Connect White Supply Wire to:
Black	White
*Parallel cord (round & smooth)	*Parallel cord (square & ridged)
Clear, Brown, Gold or Black without tracer	Clear, Brown, Gold or Black with tracer
Insulated wire (other than green) with copper conductor	Insulated wire (other than green) with silver conductor

*Note: When parallel wires (SPT I & SPT II) are used. The neutral wire is square shaped or ridged and the other wire will be round in shape or smooth (see illus.)



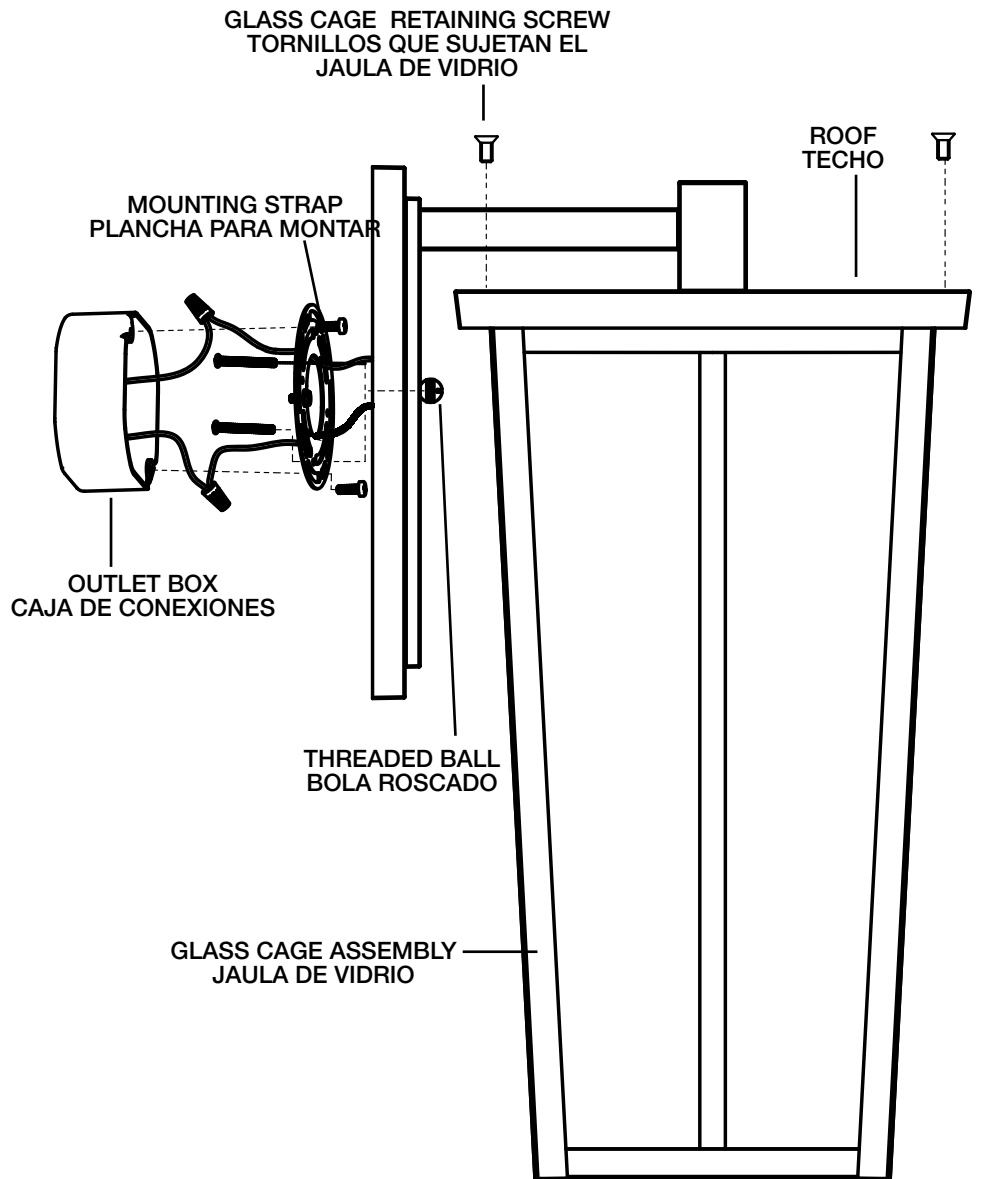
- 9) Push fixture to wall, carefully passing mounting screws through holes.
- 10) Screw threaded balls onto mounting screws. Tighten threaded balls to secure fixture to wall.

INSTRUCTIONS FOR MOUNTING FIXTURE OUTDOORS AND/OR IN WET LOCATIONS.

- 11) Mounting surface should be clean, dry, flat and 1/4" larger than the canopy on all sides. Any gaps between the mounting surface and canopy exceeding 3/16" should be corrected as required.
- 12) With silicone caulking compound, caulk completely around where back of canopy meets the wall surface to prevent water from seeping into outlet box.

**SEE OTHER SIDE FOR SPANISH TRANSLATIONS.
VEA EL OTRO LADO DE TRADUCCIONES AL ESPAÑOL.**

NOTE: The fixture 49624 is shown. Your fixture may vary. The installation instructions will be the same.



This device complies with part 15 of the FCC Rules. Operation is subject to the following two conditions: (1) This device may not cause harmful interference, and (2) this device must accept any interference received, including interference that may cause undesired operation.

Note: This equipment has been tested and found to comply with the limits for a Class B digital device, pursuant to part 15 of the FCC Rules. These limits are designed to provide reasonable protection against harmful interference in a residential installation. This equipment generates, uses and can radiate radio frequency energy and, if not installed and used in accordance with the instructions, may cause harmful interference to radio communications. However, there is no guarantee that interference will not occur in a particular installation. If this equipment does cause harmful interference to radio or television reception, which can be determined by turning the equipment off and on, the user is encouraged to try to correct the interference by one or more of the following measures:

- Reorient or relocate the receiving antenna.
- Increase the separation between the equipment and receiver.
- Connect the equipment into an outlet on a circuit different from that to which the receiver is connected.
- Consult the dealer or an experienced radio/TV technician for help.

ADVERTENCIA:

- Este artefacto está hecho para ser instalado de acuerdo con el Código Nacional de Electricidad (NEC) y todas las especificaciones del código local.
- Los alambres suministrados no tienen el propósito de ser utilizados a través de o escondidos detrás de paredes, pisos o techos.
- La salida de luz del LED es lo suficientemente fuerte para lesionar los ojos humanos. Deben tomarse precauciones para evitar mirar directamente con los ojos sin protección durante poco más de unos cuantos segundos.

OSCURECIMIENTO: Este artefacto de LED es compatible con la mayoría de los reguladores de intensidad incandescente estándar, los reguladores de intensidad de LED, y los reguladores de intensidad electrónicos de bajo voltaje. Para un desempeño óptimo, deberá ser utilizado un regulador de intensidad electrónico de bajo voltaje.

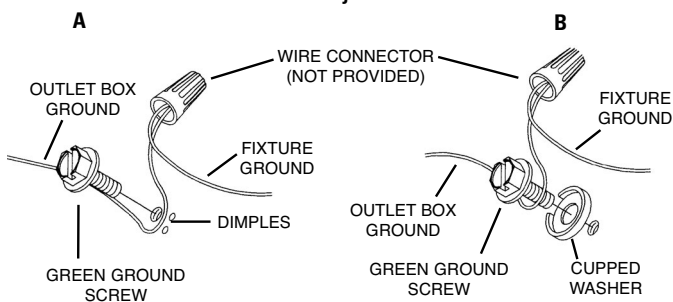
- 1) Lea y entienda completamente todas las instrucciones e ilustraciones antes de proceder con el ensamblaje e instalación del artefacto.
- 2) Si usted tiene dudas sobre como instalar este artefacto, o si el artefacto no funciona completamente, por favor contacte a un electricista calificado.
- 3) Todas las partes deben ser utilizadas tal como se indica en las instrucciones. No sustituya ninguna de las partes, deje fuera algunas partes, o utilice cualquier parte que esté desgastada o rota. El no obedecer esta instrucción podría invalidar el listado en UL, la certificación de C.S.A. y/o el listado en ETL de este artefacto.
- 4) El artefacto debe ser conectado a un circuito de un solo ramal.

1) APAGAR LA ALIMENTACIÓN DE ENERGIE ELÉTRICA.

IMPORTANTE: Antes de comenzar, NUNCA trate de trabajar sin antes desconectar la corriente hasta que el trabajo se termine.

- a) Vaya a la caja principal de fusibles, o interruptor o caja de circuitos de su casa. Coloque el interruptor de la corriente principal en posición de apagado "OFF".
 - b) Desatornille el (los) fusible (s), o coloque el interruptor o interruptores del breaker en posición de apagado "OFF", que controla (n) la corriente hacia el artefacto o habitación donde está trabajando.
 - c) Coloque el interruptor de pared en posición de apagado "OFF". Si el artefacto que se va a reemplazar tiene un interruptor o cadena que se jala, colóquelos en la posición de apagado "OFF".
- 2) Desatornille los tornillos que sujetan el jaula de vidrio del jaula de vidrio.
 - 3) Saque todos los materiales de envío de adentro del jaula de vidrio.
 - 4) Coloque el techo encima del jaula de vidrio. Enrosque los tornillos del paso 2 en los agujeros en el techo. Apriete los tornillos para asegurar el techo al jaula de vidrio.
 - 5) Encontrar los agujeros roscados correctos en la abrazadera de montaje. Instalar los tornillos de montaje en los agujeros roscados.
 - 6) Unir la abrazadera de montaje a la caja de conexiones. (No se proveen tornillos). La abrazadera de montaje puede ajustarse para acomodar la posición del artefacto.
 - 7) Instrucciones de conexión a tierra (Vea la ilustración A o B)
 - A) En artefactos donde se provee la abrazadera de montaje con un agujero y dos depresiones onduladas: Envuelva el alambre de tierra de la caja de salida alrededor del tornillo de tierra verde y rosque en el agujero.
 - B) En artefactos donde se provee una arandela cóncava. Acople el alambre de tierra de la caja de salida debajo de la arandela cóncava y del tornillo de tierra verde, y rosque el tornillo en la abrazadera de montaje.

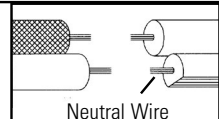
Si el artefacto está provisto con alambre de tierra: Conecte el alambre de tierra del artefacto con el alambre de tierra de la caja de salida con un conector de alambre.



- 8) Haga las conexiones de alambres. Vea la tabla de referencia de abajo para las conexiones correctas y los alambres correspondientes.

Connect Black or Red Supply Wire to:	Connect White Supply Wire to:
Black	White
*Parallel cord (round & smooth)	*Parallel cord (square & ridged)
Clear, Brown, Gold or Black without tracer	Clear, Brown, Gold or Black with tracer
Insulated wire (other than green) with copper conductor	Insulated wire (other than green) with silver conductor

*Note: When parallel wires (SPT I & SPT II) are used. The neutral wire is square shaped or ridged and the other wire will be round in shape or smooth (see illus.)



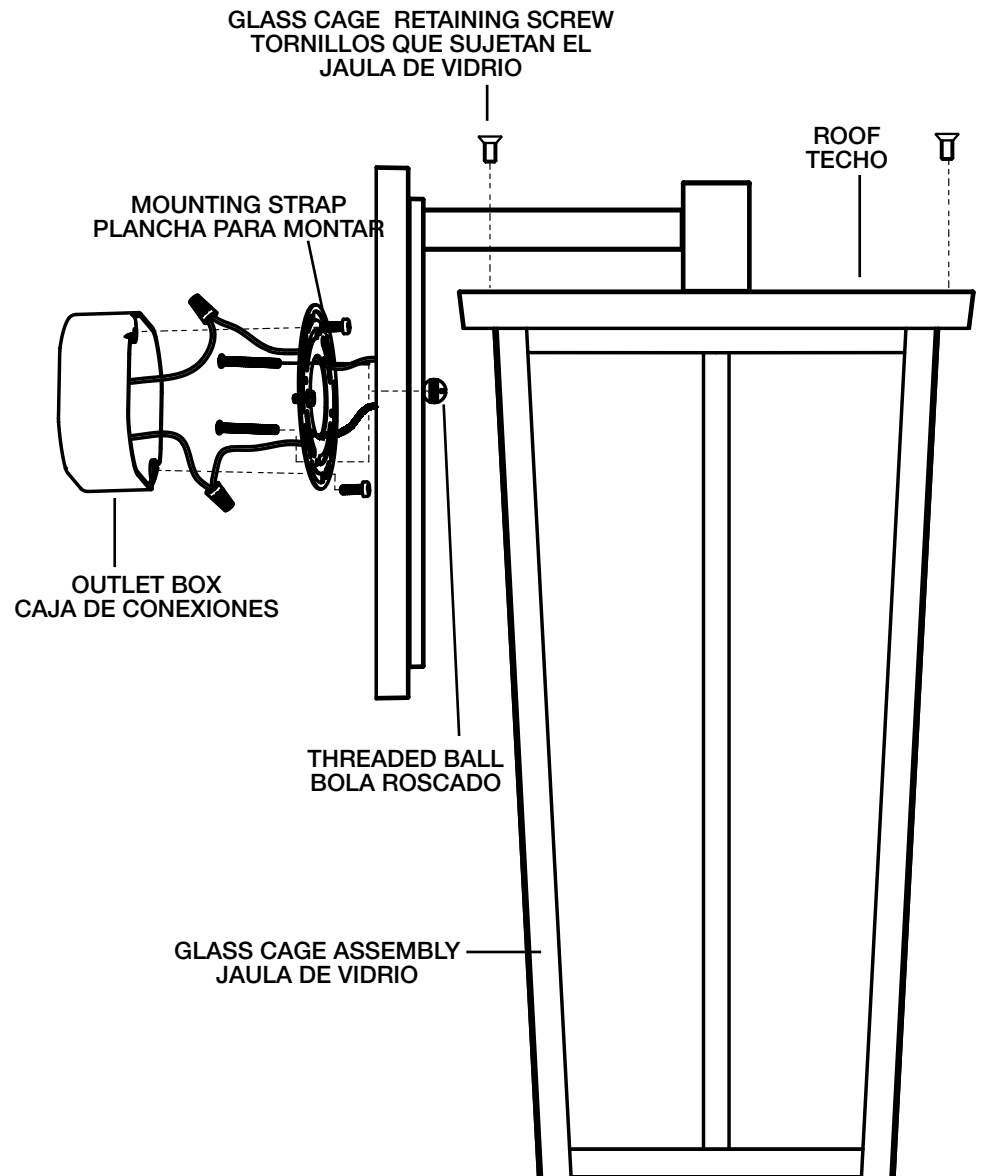
- 9) Empuje la unidad contra la pared, pasando con cuidado al tubo roscado a través del agujero.
- 10) Atornille las bolas roscadas en los tornillos de montaje. Ariete las bolas roscadas para sujetar el artefacto a la pared.

INSTRUCCIONES PARA EL MONTAJE DEL ARTEFACTO AL AIRE LIBRE Y/O EN UN LUGAR MOJADO.

- 11) La superficie de montaje debe estar limpia, seca, ser plana y 1/4" más grande que el escudete en todos los bordes. Cualquier espacio libre entre la superficie de montaje y el escudete que exceda de 3/16" debe corregirse según se requiera.
- 12) Calafatee totalmente con compuesto de calafatear de silicona alrededor donde el escudete sienta en la superficie de la pared para impedir la entrada de agua en la caja de conexiones.

**SEE OTHER SIDE FOR ENGLISH TRANSLATIONS.
VEA EL OTRO LADO DE TRADUCCIONES AL INGLÉS.**

NOTA: Se muestra el artefacto 49624. Su artefacto puede variar. Las instrucciones de instalación serán las mismas.



Este artefacto cumple con la parte 15 de las Normas de la FCC. El funcionamiento está sujeto a las siguientes dos condiciones: (1) Este artefacto no puede causar interferencia perjudicial, y (2) este artefacto debe aceptar cualquier interferencia recibida, inclusive interferencia que puede causar una operación no deseada.

Nota: Este equipo ha sido probado y se comprobó que cumple con los límites para un artefacto digital Clase B, de conformidad con la parte 15 de las Normas de la FCC. Estos límites están diseñados para proporcionar una protección razonable contra interferencia perjudicial en una instalación residencial. Este equipo genera, usa y puede radiar energía de radio frecuencia y, si no se instala y usa de acuerdo con las instrucciones, puede causar interferencia perjudicial las comunicaciones de radio. Sin embargo, no hay garantía que la interferencia no ocurrirá en una instalación en particular. Si este equipo sí causa interferencia perjudicial a la recepción de radio o televisión, que puede ser determinado enciendo y apagando el equipo, se alienta al usuario a que trata de corregir la interferencia con una o más de las siguientes medidas:

- Reoriente o cambie de lugar la antena de recepción.
- Aumente la separación entre el equipo y el receptor.
- Conecte el equipo en un receptáculo en un circuito diferente de donde está conectado el receptor.
- Consulte al distribuidor o a un técnico de radio/TV experimentado para ayuda.

INSTRUCTIONS

For Assembling and Installing Fixtures in Canada
Pour L'assemblage et L'installation Au Canada

NOTE: The fixture 49624 is shown. Your fixture may vary. The installation instructions will be the same.

WARNING:

- This fixture is intended for installation in accordance with the National Electric Code (NEC) and all local code specifications.
- Supply wires are not intended for use through or concealed behind walls, floors, or ceilings.
- The LED light output is strong enough to injure human eyes. Precautions must be taken to prevent looking directly at LED's with unaided eyes for more than a few seconds.

DIMMING: This LED fixture is compatible with most standard incandescent dimmers, LED dimmers, and electronic low voltage dimmers. For optimal performance, an electronic low voltage dimmer should be used.

- 1) Read and understand all instructions and illustrations completely before proceeding with assembly and installation of fixture.
- 2) If you have any doubts about how to install this fixture, or if the fixture fails to operate completely, please contact a qualified electrician.
- 3) All parts must be used as indicated in the instructions. Do not substitute any parts, leave parts out, or use any parts that are worn or broken. Failure to obey this instruction could invalidate the UL listing, C.S.A. certification, and/or ETL listing of this fixture.
- 4) Fixture is to be connected to a single branch circuit.

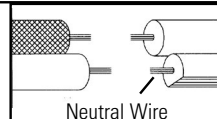
1) TURN OFF POWER.

IMPORTANT: Before you start, NEVER attempt any work without shutting off the electricity until the work is done.

- a) Go to the main fuse, or circuit breaker, box in your home. Place the main power switch in the "OFF" position.
 - b) Unscrew the fuse(s), or switch "OFF" the circuit breaker switch(s), that control the power to the fixture or room that you are working on.
 - c) Place the wall switch in the "OFF" position. If the fixture to be replaced has a switch or pull chain, place those in the "OFF" position.
- 2) Unscrew glass cage retaining screws from glass cage assembly.
 - 3) Remove all packaging materials from inside glass cage assembly.
 - 4) Place roof down on top of glass cage assembly. Thread screws from step 2 into holes in roof. Tighten screws to secure roof to glass cage assembly.
 - 5) Find the appropriate threaded holes on mounting strap. Assemble mounting screws into threaded holes.
 - 6) Attach mounting strap to outlet box (Screws not provided). Mounting strap can be adjusted to suit position of fixture.
 - 7) Make wire connections. Reference chart below for correct connections and wire accordingly.

Connect Black or Red Supply Wire to:	Connect White Supply Wire to:
Black	White
*Parallel cord (round & smooth)	*Parallel cord (square & ridged)
Clear, Brown, Gold or Black without tracer	Clear, Brown, Gold or Black with tracer
Insulated wire (other than green) with copper conductor	Insulated wire (other than green) with silver conductor

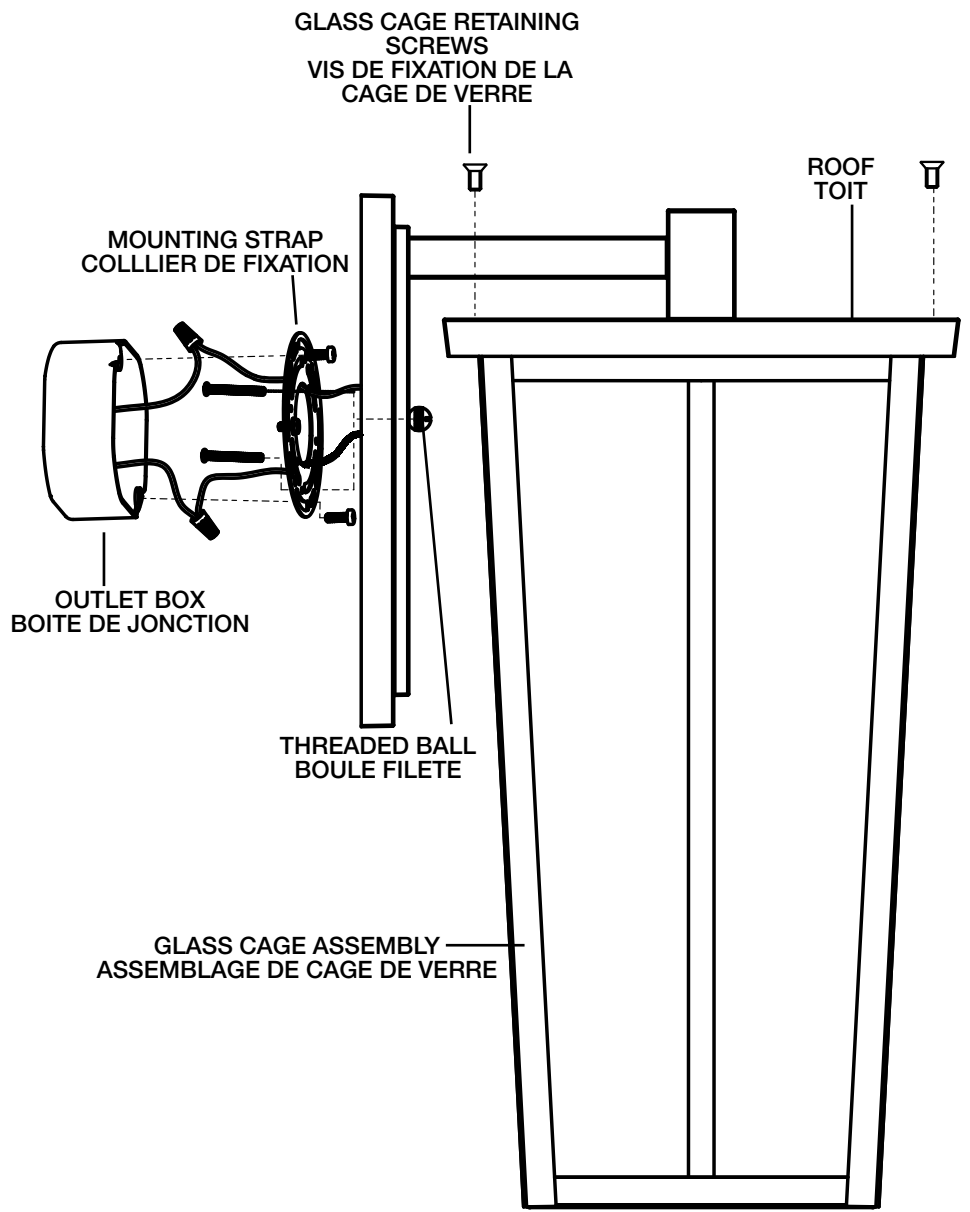
*Note: When parallel wires (SPT I & SPT II) are used. The neutral wire is square shaped or ridged and the other wire will be round in shape or smooth (see illus.)



- 8) Push fixture to wall, carefully passing mounting screws through holes.
- 9) Screw threaded balls onto mounting screws. Tighten threaded balls to secure fixture to wall.

INSTRUCTIONS FOR MOUNTING FIXTURE OUTDOORS AND/OR IN WET LOCATIONS.

- 10) Mounting surface should be clean, dry, flat and 1/4" larger than the canopy on all sides. Any gaps between the mounting surface and canopy exceeding 3/16" should be corrected as required.
- 11) With silicone caulking compound, caulk completely around where back of canopy meets the wall surface to prevent water from seeping into outlet box.



This device complies with part 15 of the FCC Rules. Operation is subject to the following two conditions: (1) This device may not cause harmful interference, and (2) this device must accept any interference received, including interference that may cause undesired operation.

Note: This equipment has been tested and found to comply with the limits for a Class B digital device, pursuant to part 15 of the FCC Rules. These limits are designed to provide reasonable protection against harmful interference in a residential installation. This equipment generates, uses and can radiate radio frequency energy and, if not installed and used in accordance with the instructions, may cause harmful interference to radio communications. However, there is no guarantee that interference will not occur in a particular installation. If this equipment does cause harmful interference to radio or television reception, which can be determined by turning the equipment off and on, the user is encouraged to try to correct the interference by one or more of the following measures:

- Reorient or relocate the receiving antenna.
- Increase the separation between the equipment and receiver.
- Connect the equipment into an outlet on a circuit different from that to which the receiver is connected.
- Consult the dealer or an experienced radio/TV technician for help.

**SEE OTHER SIDE FOR CANADIAN FRENCH TRANSLATIONS.
VOIR L'AUTRE CÔTÉ POUR LES CANADIENS TRADUCTIONS EN FRANÇAIS.**

INSTRUCTIONS

For Assembling and Installing Fixtures in Canada
Pour L'assemblage et L'installation Au Canada

AVERTISSEMENT:

- Ce luminaire doit être installé conformément aux codes d'électricité nationaux (NEC) et satisfaire toutes les spécifications des codes locaux.
- Les câbles d'alimentation ne doivent pas être utilisés à travers ou derrière des parois, sols ou plafonds.
- L'intensité de la lumière des LED peut endommager les yeux. Prendre toutes les précautions nécessaires pour ne pas regarder directement dans les LED sans protection pendant plusieurs secondes.

GRADATION: Ce luminaire LED est compatible avec la plupart des gradateurs standard à incandescence, gradateurs LED, et gradateurs électroniques à basse tension. Pour une performance optimale, utiliser un gradateur électronique à basse tension.

- 1) Lire et comprendre toutes les instructions et illustrations avant de procéder au montage et à l'installation du luminaire.
- 2) En cas de doute sur l'installation de ce luminaire, ou si le luminaire ne fonctionne pas correctement, prière de contacter un électricien agréé.
- 3) Utiliser toutes les pièces selon les instructions. Ne pas substituer de pièces, exclure certaines pièces du montage ou se servir de pièces usées ou endommagées. Le non-respect de ces instructions risque d'annuler l'homologation UL, le certificat C.S.A. ainsi que l'homologation ETL de ce luminaire.
- 4) Le luminaire peut être connecté à un circuit dédié.

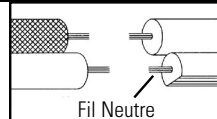
1) COUPER L'ALIMENTATION SECTEUR.

IMPORTANT: TOUJOURS couper l'électricité avant de commencer le travail.

- a) Localiser le coffret à fusibles ou le disjoncteur du domicile. Mettre l'interrupteur principal en position d'Arrêt.
 - b) Dévisser le ou les fusibles (ou mettre le disjoncteur sur Arrêt) qui contrôlent l'alimentation vers le luminaire ou la pièce dans laquelle le travail est effectué.
 - c) Mettre l'interrupteur mural en position d'Arrêt. Si le luminaire à remplacer est doté d'un interrupteur ou d'une chaîne connectée à l'interrupteur, placer ces éléments en position d'Arrêt.
- 2) Desserrer les vis de fixation de la cage de verre à partir de l'assemblage de cage de verre.
 - 3) Retirer tous les matériaux d'emballage de l'intérieur du luminaire.
 - 4) Placer le toit sur le dessus du luminaire. Serrer les vis de l'étape 2 dans les trous du toit. Resserrer les vis pour fixer le toit au l'assemblage de cage de verre.
 - 5) Trouver les trous filetés appropriés sur le support de montage. Visser les vis de montage dans les trous taraudés.
 - 6) Visser la barrette de montage à la boîte de jonction. La barrette de montage peut être ajustée pour convenir à la position de l'applique.
 - 7) Connecter les fils. Se porter au tableau ci-dessous pour faire les connexions.

Connecter le fil noir ou rouge de la boîte	Connecter le fil blanc de la boîte
A Noir	A Blanc
*Au cordon parallèle (rond et lisse)	*Au cordon parallèle (à angles droits et strié)
Au transparent, doré, marron, ou noir sans fil distinctif	Au transparent, doré, marron, ou noir avec un fil distinctif
Fil isolé (sauf fil vert) avec conducteur en cuivre	Fil isolé (sauf fil vert) avec conducteur en argent

*Remarque: Avec emploi d'un fil parallèle (SPT I et SPT II). Le fil neutre est à angles droits ou strié et l'autre fil doit être rond ou lisse (Voir le schéma).

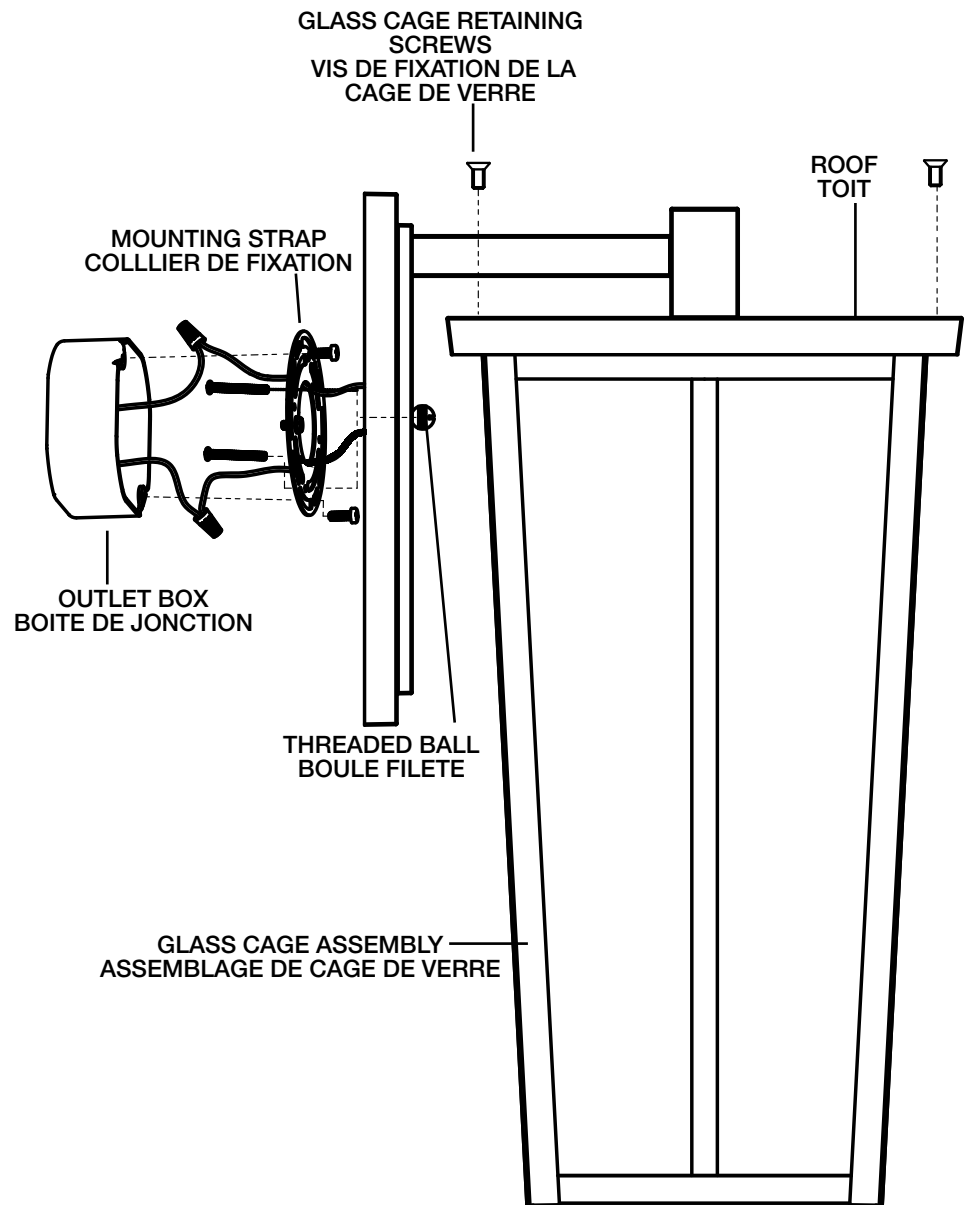


- 8) Plaquez l'applique contre le mur, en passant soigneusement les vis de montage dans les trous.
- 9) Visser les rondelles de blocage sur les vis de montage. Visser les boules filetées sur les vis de montage. Serrer les boules filetées pour fixer le luminaire au mur.

INSTRUCTIONS DE MONTAGE DE LUMINAIRE À L'EXTÉRIEUR ET/OU DANS DES LIEUX HUMIDES.

- 10) La surface de montage doit être propre, sèche, plate et de 0,6 cm plus épaisse que le cache sur tous les côtés. Tout écart entre la surface de montage et le cache dépassant de 0,5 cm doit être rectifié selon les besoins.
- 11) À l'aide de matériaux d'étanchéité à la silicone, calfeutrer bien autour où l'arrière du cache entre en contact avec le mur pour empêcher l'eau de passer dans la boîte de raccordement.

REMARQUE: Le luminaire n°49624 est représenté. Votre luminaire peut différer de l'illustration. Toutefois, les instructions sont les mêmes pour tous les luminaires.



Cet appareil est conforme à la section 15 de la réglementation de la FCC. L'exploitation est soumise aux deux conditions suivantes : (1) Cet équipement ne doit pas causer d'interférences nuisibles, et (2) cet équipement doit accepter toute interférence reçue, y compris les interférences risquant d'engendrer un fonctionnement indésirable.

Remarque: Des tests ont confirmé que ce matériel respecte les limites d'un dispositif numérique de catégorie B, en vertu de la section 15 de la réglementation de la FCC. Ces limites ont été conçues pour fournir une protection raisonnable contre le brouillage nuisible d'une installation résidentielle. Cet équipement génère, utilise et peut rayonner de l'énergie radiofréquence et, s'il n'est pas installé et utilisé selon les instructions, peut causer de l'interférence nuisible aux communications de radio. Cependant, il est néanmoins possible qu'il y ait de l'interférence dans une installation en particulier. Si cet équipement cause du brouillage nuisible à la réception du signal de radio ou de télévision, ce qui peut être déterminé en éteignant puis en rallumant l'appareil, l'utilisateur peut essayer de corriger l'interférence en appliquant une des mesures suivantes :

- Réorienter l'antenne de réception ou changer son emplacement.
- Augmenter la distance séparant l'équipement et le récepteur.
- Brancher le matériel dans la prise de courant d'un circuit différent de celui auquel le récepteur est branché.
- Consulter le revendeur ou un technicien radio/télé d'expérience.

**SEE OTHER SIDE FOR ENGLISH TRANSLATIONS.
VOIR L'AUTRE CÔTÉ DES TRADUCTIONS EN ANGLAIS.**