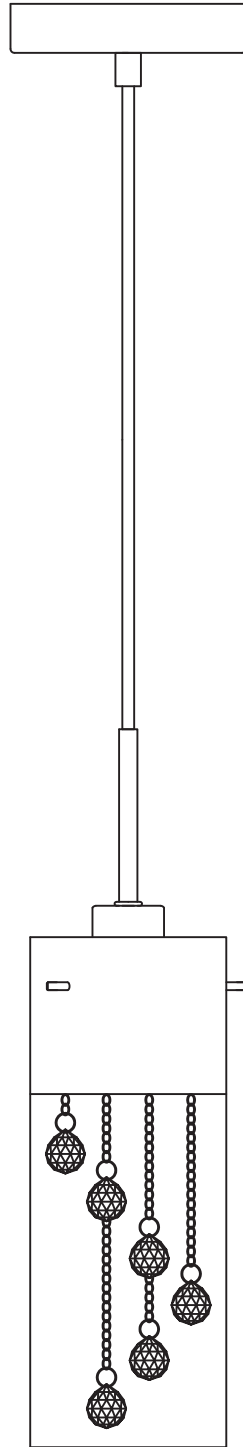




MINI PENDANT

MODEL #83162



DISASSEMBLY INSTRUCTIONS

SAFETY INFORMATION

Please read and understand this entire manual before attempting to disassemble the product.

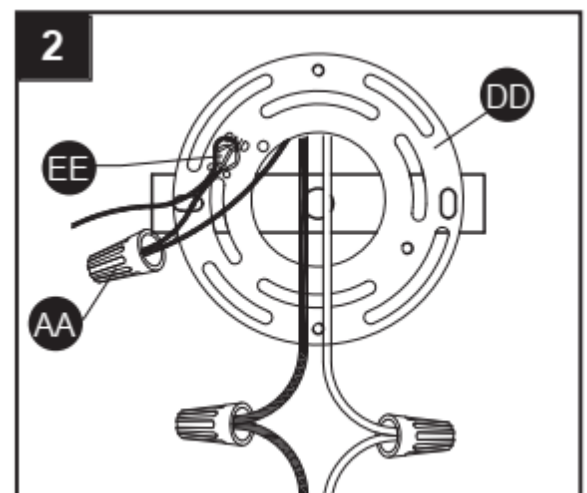
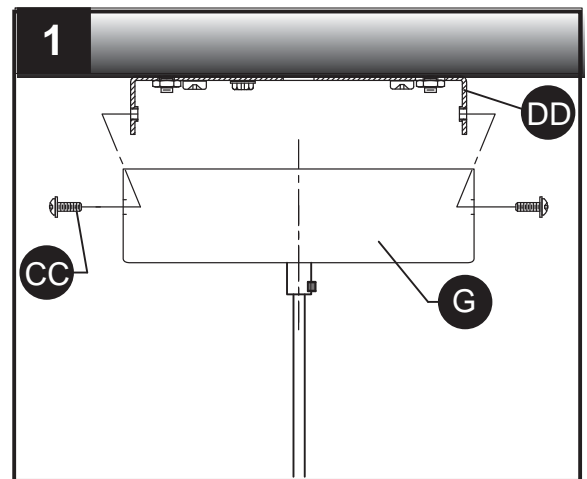
WARNING

- **IMPORTANT:** NEVER attempt any work without shutting off the electricity.
- Go to the main fuse box, or circuit breaker, in your home. Place the main power switch in the "OFF" position and unscrew the fuse(s), or switch "OFF" the circuit breaker switch(es), that control the power to the fixture or room that you are working on.
- Place the wall switch in the "OFF" position. If the fixture to be replaced has a switch or pull chain, place it in the "OFF" position.

CAUTION

- If you have any doubts about how to remove this lighting fixture please contact a licensed electrical contractor.

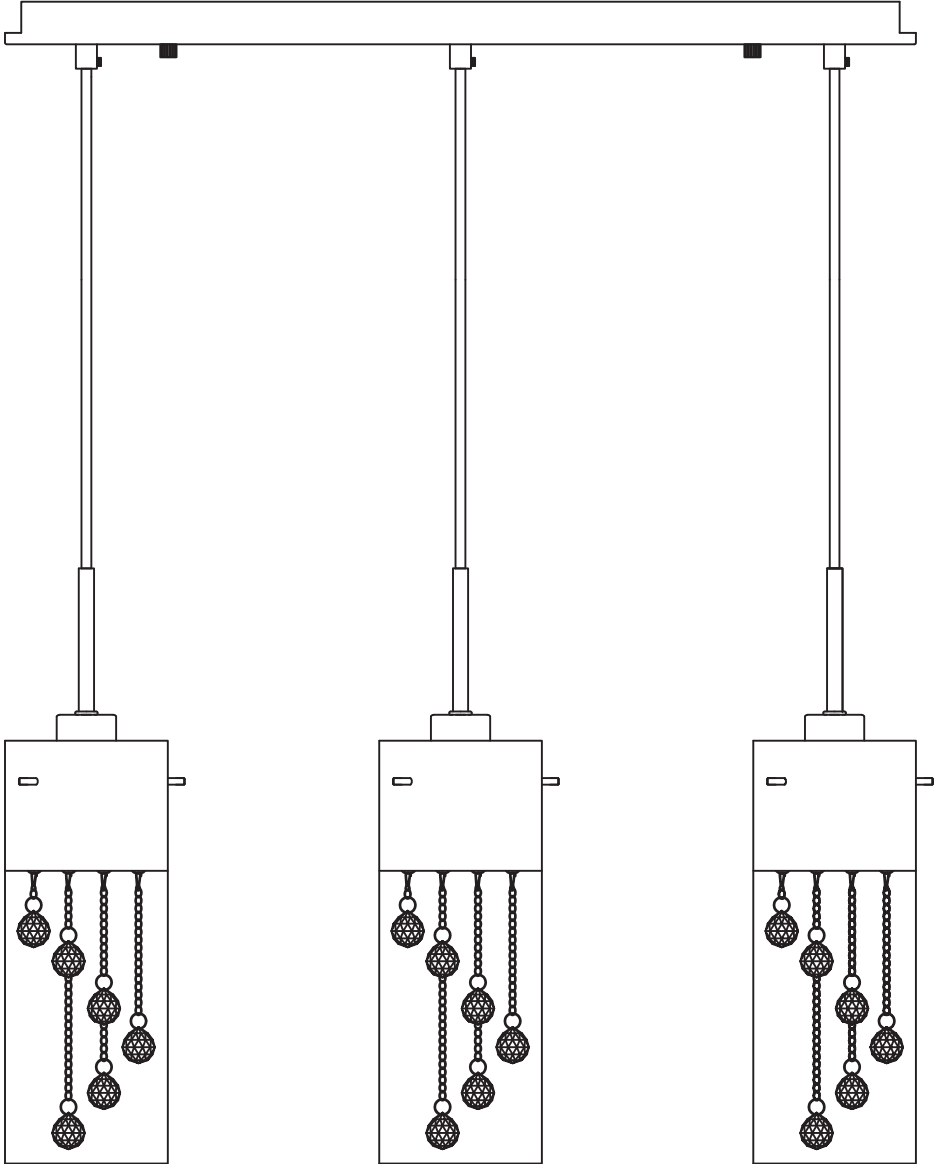
1. Remove the canopy screws (CC) from the canopy (G) and lower canopy from ceiling while supporting the fixture.
2. Remove the wire connectors (AA) from the Hot (black or red) fixture wire and Neutral (white) fixture wire followed by removal of the Ground (green) wire.





3-LIGHT PENDANT

MODEL #83163



Intertek

DISASSEMBLY INSTRUCTIONS

SAFETY INFORMATION

Please read and understand this entire manual before attempting to disassemble the product.

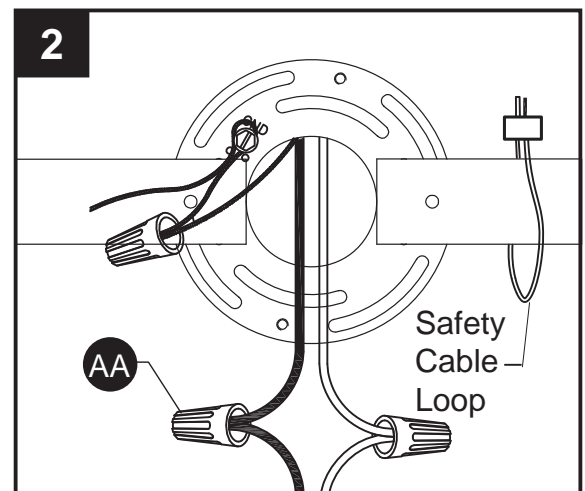
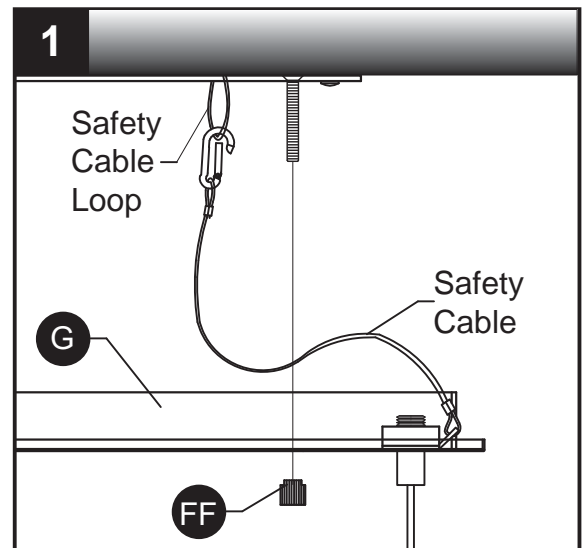
WARNING

- IMPORTANT: NEVER attempt any work without shutting off the electricity.
- Go to the main fuse box, or circuit breaker, in your home. Place the main power switch in the "OFF" position and unscrew the fuse(s), or switch "OFF" the circuit breaker switch(es), that control the power to the fixture or room that you are working on.
- Place the wall switch in the "OFF" position. If the fixture to be replaced has a switch or pull chain, place it in the "OFF" position.

CAUTION

- If you have any doubts about how to remove this lighting fixture please contact a licensed electrical contractor.

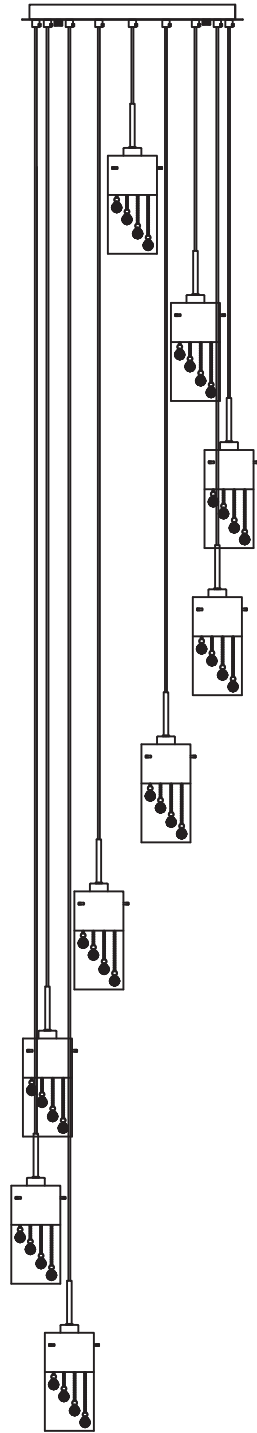
1. Remove the threaded knobs (FF) from the canopy (G).
2. Remove the wire connectors (AA) from the Hot (black or red) fixture wire and Neutral (white) fixture wire followed by removal of the Ground (green) wire. Remove the Safety cable from the safety cable loop.





9-LIGHT SPIRAL CHANDELIER

MODEL #83164



DISASSEMBLY INSTRUCTIONS

SAFETY INFORMATION

Please read and understand this entire manual before attempting to disassemble the product.

WARNING

- **IMPORTANT:** NEVER attempt any work without shutting off the electricity.
- Go to the main fuse box, or circuit breaker, in your home. Place the main power switch in the "OFF" position and unscrew the fuse(s), or switch "OFF" the circuit breaker switch(es), that control the power to the fixture or room that you are working on.
- Place the wall switch in the "OFF" position. If the fixture to be replaced has a switch or pull chain, place it in the "OFF" position.

CAUTION

- If you have any doubts about how to remove this lighting fixture please contact a licensed electrical contractor.

1. Remove the threaded knobs (FF) from the canopy (G).
2. Remove the wire connectors (AA) from the Hot (black or red) fixture wire and Neutral (white) fixture wire followed by removal of the Ground (green) wire. Remove the Safety cable from the safety cable loop.

