

Monarch II Select™ Fan LED

A Kichler® Select™ ceiling fan

KICHLER®

Kichler® Lighting
7711 East Pleasant Valley Road
P.O. Box 318010
Cleveland, Ohio 44131-8010

Customer Service
866.558.5706
8:30 AM to 5:00 PM EST,
Monday - Friday

Instruction Manual

KICHLER®

339413 K 300C

339413 K 300C

1. SAFETY RULES

1. To reduce the risk of electric shock, insure electricity has been turned off at the circuit breaker or fuse box before beginning.
2. All wiring must be in accordance with the National Electrical Code and local electrical codes. Electrical installation should be performed by a qualified licensed electrician.
3. **WARNING:** Suitable for use with solid-state speed controls.
4. **WARNING:** To reduce the risk of personal injury, use only the two steel screws (and lock washers) provided with the outlet box for mounting to the outlet box. Most outlet boxes commonly used for the support of lighting fixtures are not acceptable for fan support and may need to be replaced, consult a qualified electrician if in doubt.
10. Do not use water or detergents when cleaning the fan or fan blades. A dry dust cloth or lightly dampened cloth will be suitable for most cleaning.
11. After making the electrical connections, spliced conductors should be turned upward and pushed carefully up into outlet box. The wires should be spread apart with the ground wire and white (common) wire to one side with the black (load) wire to the other side of the outlet box.
12. Electrical diagrams are reference only. Light kits that are not packed with the fan must be CUL Listed and marked suitable for use with the model fan you are installing. Switches must be CUL General Use Switches. Refer to the Instructions packaged with the light kits and switches for proper assembly.

WARNING

TO REDUCE THE RISK OF FIRE, ELECTRIC SHOCK OR PERSONAL INJURY, MOUNT FAN TO OUTLET BOX MARKED "ACCEPTABLE FOR FAN SUPPORT".

5. The outlet box and support structure must be securely mounted and capable of reliably supporting a minimum of 50 pounds. Use only CUL Listed outlet boxes marked "FOR FAN SUPPORT".
6. The fan must be mounted with a minimum of 7 feet clearance from the trailing edge of the blades to the floor.
7. To operate the reverse function on this fan, press the reverse button while the fan is running.
8. Avoid placing objects in the path of the blades.
9. To avoid personal injury or damage to the fan and other items, be cautious when working around or cleaning the fan.

WARNING

TO REDUCE THE RISK OF PERSONAL INJURY, DO NOT BEND THE BLADE BRACKETS (ALSO REFERRED TO AS FLANGES) DURING ASSEMBLY OR AFTER INSTALLATION. DO NOT INSERT OBJECTS IN THE PATH OF THE BLADES.

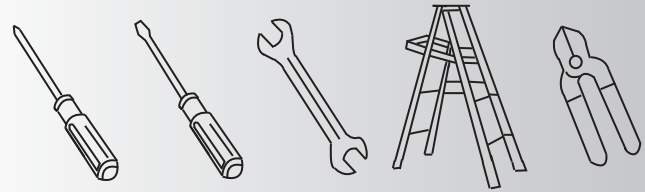
Special Notice

This appliance is equipped with a "Wattage Limiting Device" required by the United States Department of Energy. The device has been installed at the factory and can not be removed.

Installing Lamps in excess of 190 total watts will disable the unit's light fixture. If this should happen, you will need to reset the lighting fixture by turning the power off to the ceiling fan and/or light fixture, reinstalling lamps totaling less than 190 watts and then turning the power back on.

2. TOOLS AND MATERIALS REQUIRED

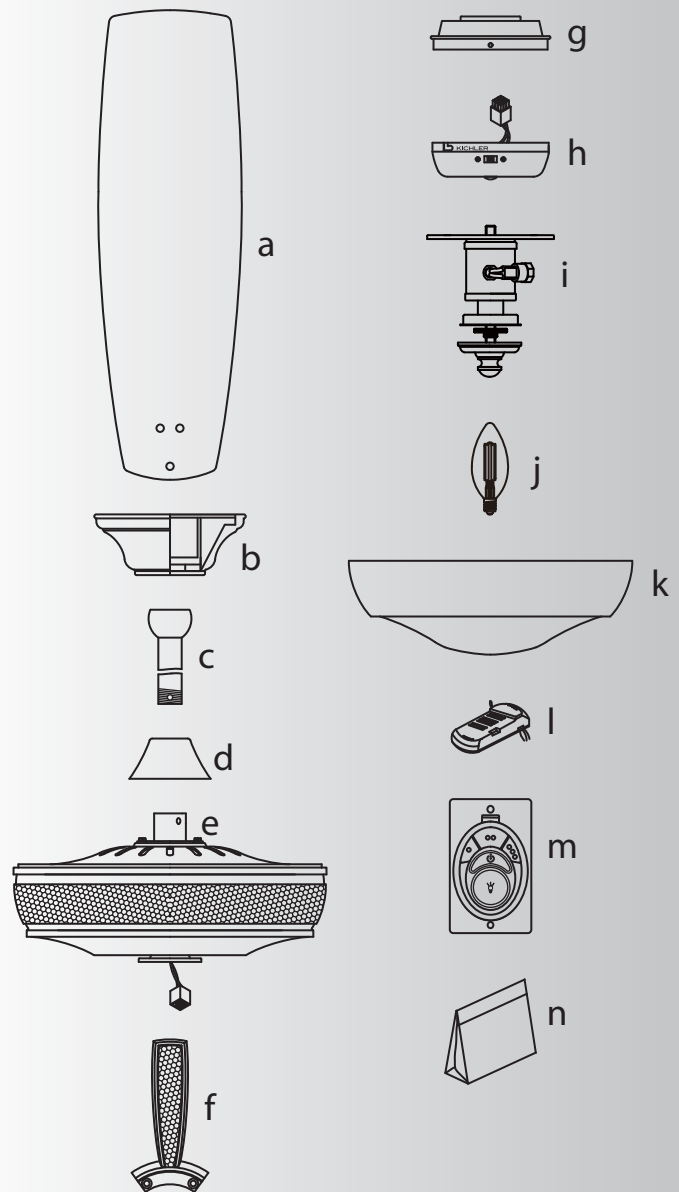
- Philips screw driver
- Blade screw driver
- 11 mm wrench
- Step ladder
- Wire cutters



3. PACKAGE CONTENTS

Unpack your fan and check the contents. You should have the following items:

- a. Fan blades (5)
- b. Canopy & Ceiling mounting bracket
- c. Ball/downrod assembly
- d. Coupling cover
- e. Fan motor assembly
- f. Set of 5 blade brackets and Pre-Installed mounting screws
- g. Mounting plate
- h. Switch housing
- i. Light fixture
- j. 3, 4 Watt E-12, LED lamps
- k. Glass shade
- l. Receiver
- m. Limited Function CoolTouch™ Control System
- n. Part bag contents
 - 1) Mounting hardware: star washers (2), wire nuts (3), machine screws (2), washers (2), screws (2)
 - 2) Blade attachment hardware: Allen screws (17), fiber washers (17)
 - 3) Safety cable hardware: wood screw, lock washer, flat washer
 - 4) Balance Kit



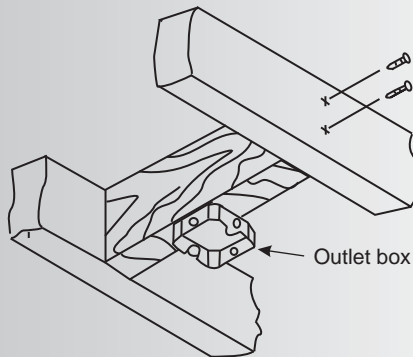


Fig. 1

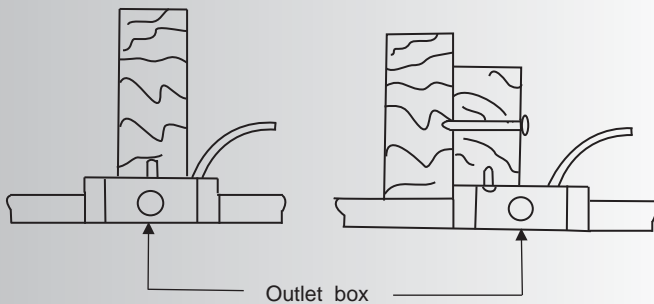


Fig. 2

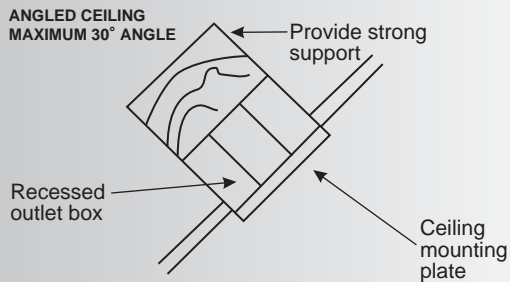


Fig. 3

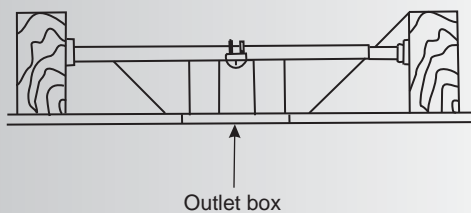


Fig. 4

4. MOUNTING OPTIONS

If there isn't an existing UL (cUL for Canadian Installation) listed mounting box, then read the following instructions. Disconnect the power by removing fuses or turning off circuit breakers.

Secure the outlet box directly to the building structure. Use appropriate fasteners and building materials. The outlet box and its support must be able to fully support the moving weight of the fan (at least 50 lbs). Do not use plastic outlet boxes.

Figures 1, 2 and 3 are examples of different ways to mount the outlet box.

NOTE: If you are installing the ceiling fan on a sloped (vaulted) ceiling, you may need a longer downrod to maintain proper clearance between the tip of the blade and the ceiling. A minimum clearance of 12" is suggested for optimal operation.

NOTE: Depending on the location you have selected for installation, you may need to purchase and install a "Joist Hanger" for the support of the outlet box. Make sure the joist hanger you purchase has been designed for use with ceiling fans. (Fig. 4)

5. HANGING THE FAN

REMEMBER to turn off the power before you begin.

To properly install your ceiling fan, follow the steps below.

Step 1. Remove the decorative canopy bottom cover from the canopy by turning the cover counter clockwise. (Fig. 5)

Step 2. Remove the ceiling mounting bracket from the canopy by removing (and save) one of the two screws. Loosen the remaining screw by a half turn. (Fig. 5)

Step 3. Pass the 120 volt supply wires from the ceiling outlet box through the center of the ceiling mounting bracket. (Fig.6)

Step 4. Attach the ceiling mounting bracket to the outlet box using the screws and washers included with the outlet box. (Fig. 6)

Step 5. Remove the hanger ball from the downrod assembly by loosening the set screw, removing the cross pin and sliding the ball off the rod. (Fig.7)

Step 6. Loosen the two set screws and remove the hitch pin and retaining clip from the coupling on top of the motor assembly. (Fig. 8)

Step 7. Carefully feed the electrical lead wires from the fan up through the downrod. Thread the downrod into the coupling until the Hitch pin holes are aligned.

Next, replace the hitch pin and retaining clip. Tighten both set screws. (Fig. 8)

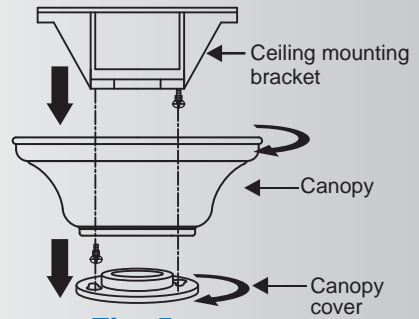


Fig. 5

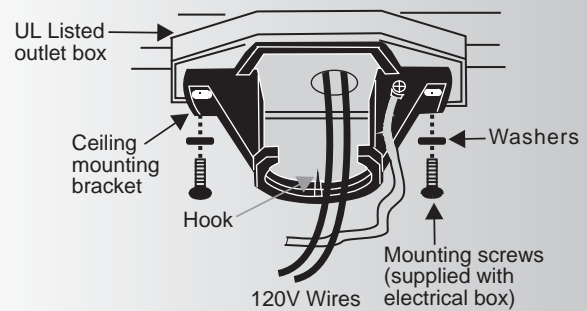


Fig. 6

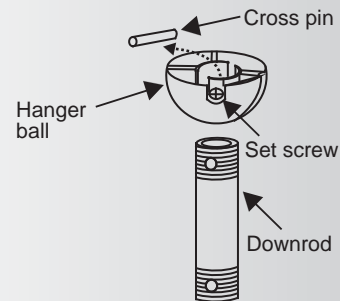


Fig. 7

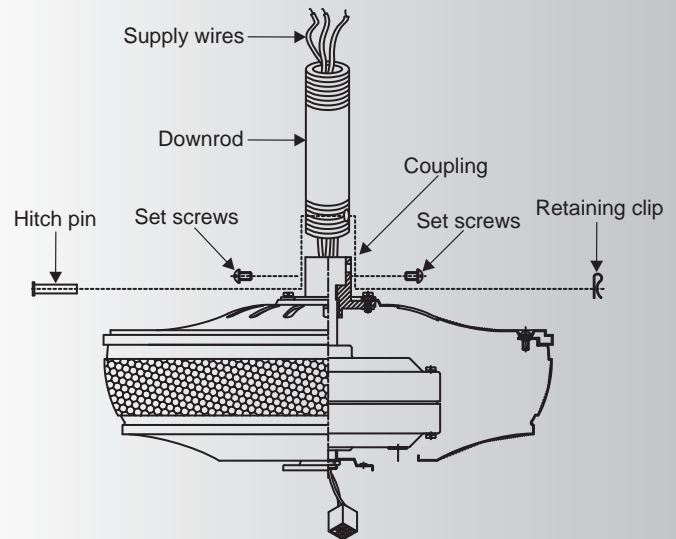


Fig. 8

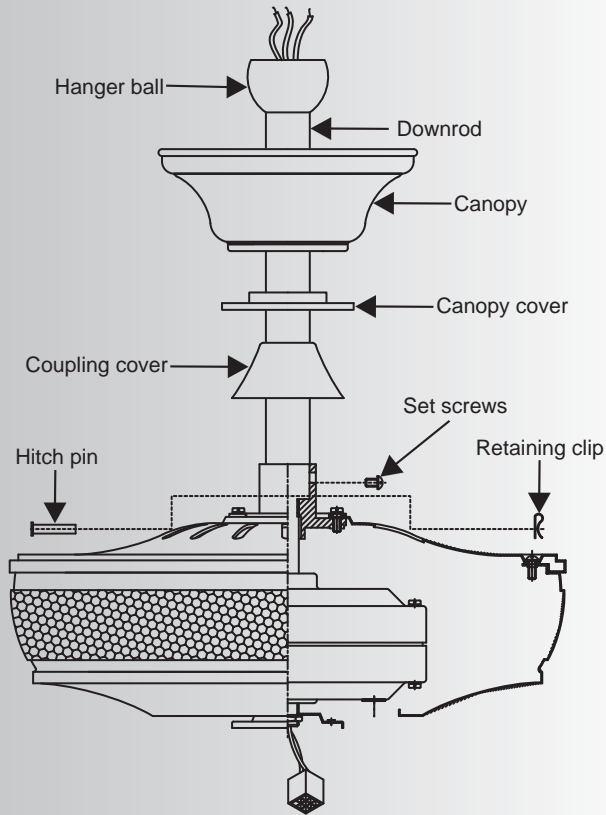


Fig. 9

Step 8. Slip the coupling cover, canopy cover and canopy onto the downrod.

Thread the hanger ball onto the downrod, insert the cross pin through the downrod and tighten. Now tighten the set screw. (Fig. 9)

Step 9. Lift the motor assembly into position and place the hanger ball into the ceiling mounting bracket.

Rotate the entire assembly until the "Check Tab" has dropped into the "Registration Slot" and seats firmly. (Fig. 10)

The entire motor assembly should not rotate (left or right) when seated properly.

WARNING: Failure to reattach the cross pin and seat the "Check Tab" can cause the fan to fall from the ceiling during operation. Take special care to make sure this pin is reattached.

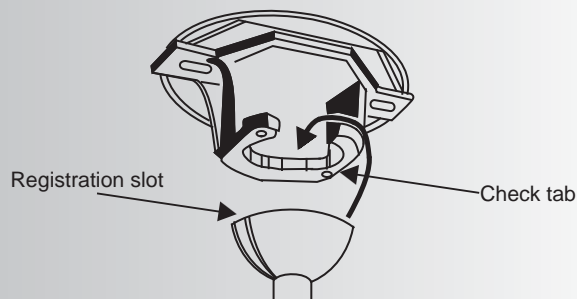


Fig. 10

6. INSTALLATION OF SAFETY SUPPORT (required for Canadian installation ONLY)

A safety support cable is provided to help prevent the ceiling fan from falling.

Step 1. Attach the provided wood screw and washers to the ceiling joist next to the mounting bracket but do not tighten. (Fig. 11)

Step 2. Adjust the length of the safety cable to reach the screw and washers by pulling the extra cable through the cable clamp until the overall length is correct, put the end of the cable back through the cable clamp, forming a loop at the end of the cable. Tighten the cable clamp securely. Now, put the loop in the end of the safety cable over the wood screw and under the washer. Tighten the wood screw securely.

NOTE: Although the safety support cable is required for Canadian installations only. It's a good idea to make the attachment with any installation.

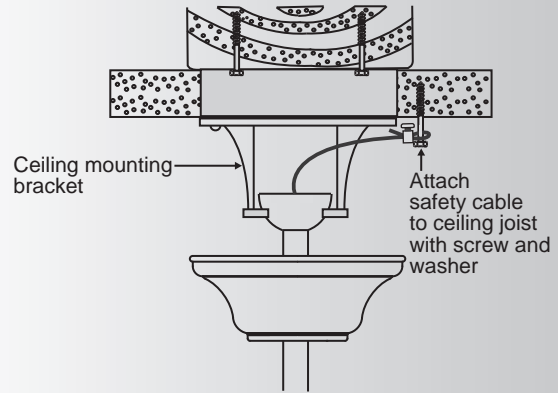


Fig. 11

7. ELECTRICAL CONNECTIONS

WARNING: To avoid possible electrical shock, be sure you have turned off the power at the main circuit panel.

NOTE: In the Transmitter, Set Dip Switch #5 on the D position. This enables the dimming function because your ceiling utilizes Incandescent lamps that are dimmable. (See Fig.12)

If this switch is set to the X position it will disable the dimming function of your fixture.

NOTE: The CoolTouch™ Control System is equipped with 16 possible frequency combinations to prevent interference from or with other remote control units. The frequency switches on your receiver and transmitter have been preset at the factory. Please recheck to make sure the switches on transmitter and receiver are set to the same position, any combination of settings will operate the fan as long as the transmitter and receiver are set to the same position. (Fig. 12)

Step 1. Insert the receiver into the ceiling mounting bracket with the flat side of the receiver facing the ceiling. (Fig. 13) For best performance, make sure the Black Antenna, on the end of the receiver, remains extended and not tangled with any of the electrical wires.

Step 2. Motor to Receiver Electrical Connections: (Fig. 14) Connect the black wire from the fan to the black wire marked "TO MOTOR L" on the receiver.

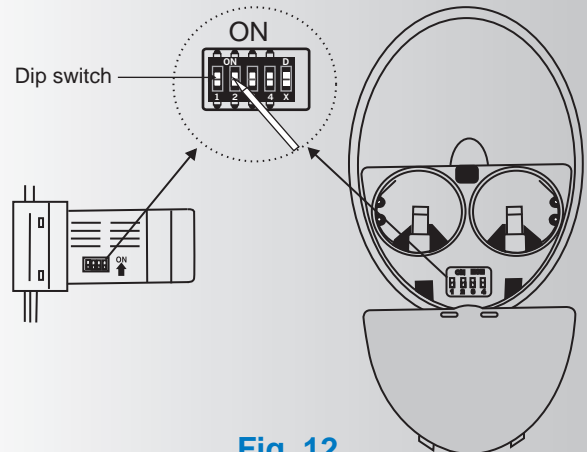


Fig. 12

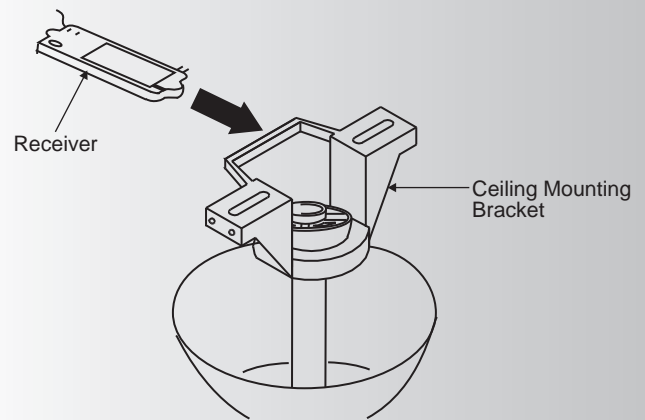


Fig. 13

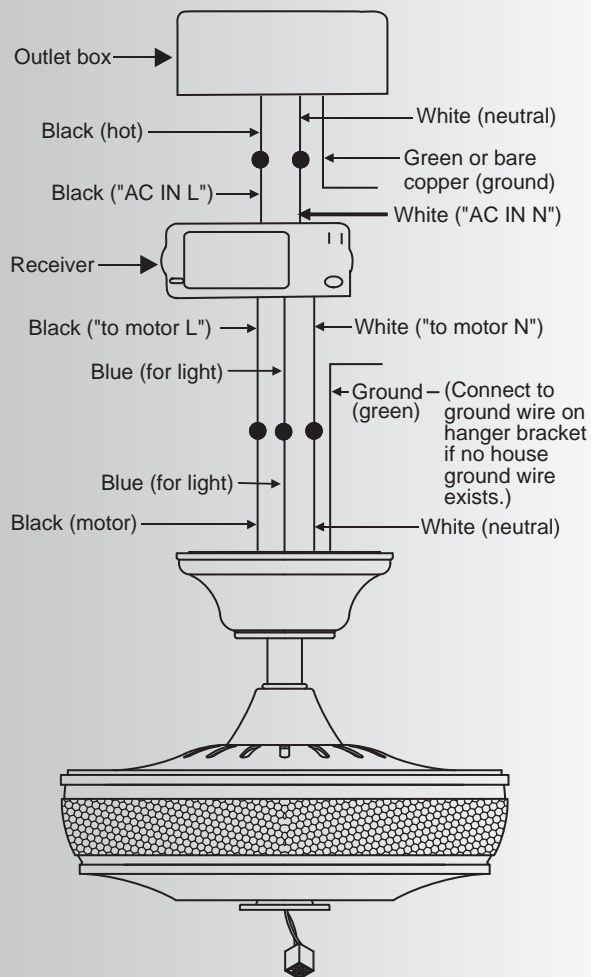


Fig. 14

Step 2. Motor to Receiver Electrical

Connections: (Fig. 14)

Connect the black wire from the fan to the black wire marked "TO MOTOR L" on the receiver.

Connect the white wire from the fan to the white wire marked "TO MOTOR N" on the receiver.

Connect the blue wire from the fan to the blue wire marked "FOR LIGHT" on the receiver.

NOTE: If the receiver included with your ceiling fan has an "orange wire", insure that it has a wire nut attached to the end of the wire. No exposed wire should show.

The Orange wire is used for decorative up lighting on some models

Secure each set of wire connections with the plastic wire nuts provided in the parts bag.

Step 3. (Fig. 14) Receiver to House Supply Wires Electrical Connections:

Connect the black (hot) wire from the ceiling to the black wire marked "AC in L" from the receiver.

Connect the white (neutral) wire from the ceiling to the white wire marked "AC in N" from the Receiver.

Secure the wire connections with the plastic wire nuts provided.

Step 4. (Fig. 14) If your outlet box has a ground wire (green or bare copper) connect it to the fan ground wires; otherwise connect the hanging bracket ground wire to the mounting bracket. Secure the wire connection with a plastic nut provided. After connecting the wires, spread them apart so that the green and white wires are on one side of the outlet box and black and blue wires are on the other side. Carefully tuck the wire connections up into the outlet box.

Note: Fan must be installed at a maximum distance of 30 feet from the CoolTouch™ Remote Transmitter for optimal signal transmission between the transmitter and the fan's receiving unit.

8. FINISHING THE INSTALLATION

Step 1. Tuck all the connections neatly into the ceiling outlet box.

Step 2. Slide the canopy up to the mounting bracket and place one of the key hole slots over the mounting screw on the mounting bracket. Rotate the canopy until the screw head locks in place at the narrow section of the key hole. See figure 15.

Step 3. Align the remaining circular hole on the canopy with the remaining hole on the Ceiling Mounting Bracket. Insert and tighten the mounting screw you removed earlier and the mounting screw from Step 2 above. Now, attach the canopy cover to the mounting screw heads by inserting the screw heads into the bottom side of the canopy cover and rotating the cover clockwise.

NOTE: Adjust the canopy screws as necessary until the canopy and canopy cover are snug. (Fig. 15)

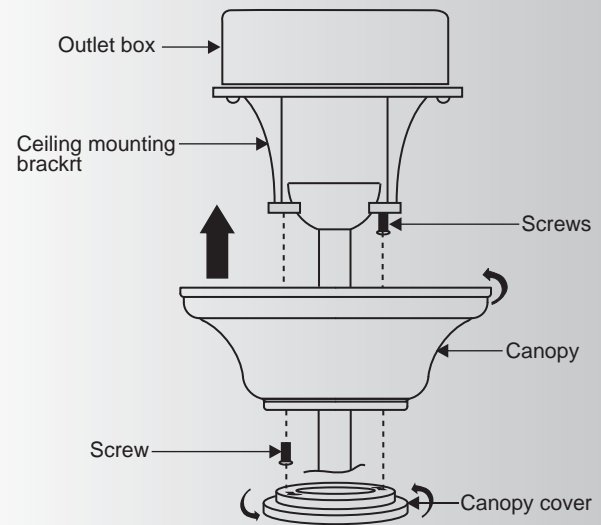


Fig. 15

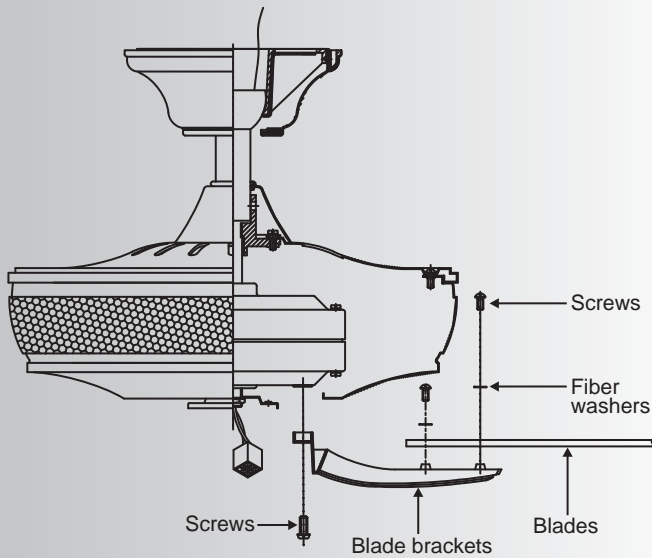


Fig. 16

9. ATTACHING THE FAN BLADES

CAUTION: Remove the five rubber shipping blocks attached to the face of the motor. These blocks keep the motor from shifting during shipping and **MUST** be removed during installation.

Step 1. Attach a blade to a blade bracket using the screws and fiber washers provided. (Fig. 16)

Make sure the blade is straight when set on the blade bracket. Tighten each mounting screw until the fiber washer is slightly compressed. Repeat this procedure for each blade.

Step 2. Attach each blade assembly to the motor using the "Pre-Installed" mounting screws in the blade bracket. (Fig 16)

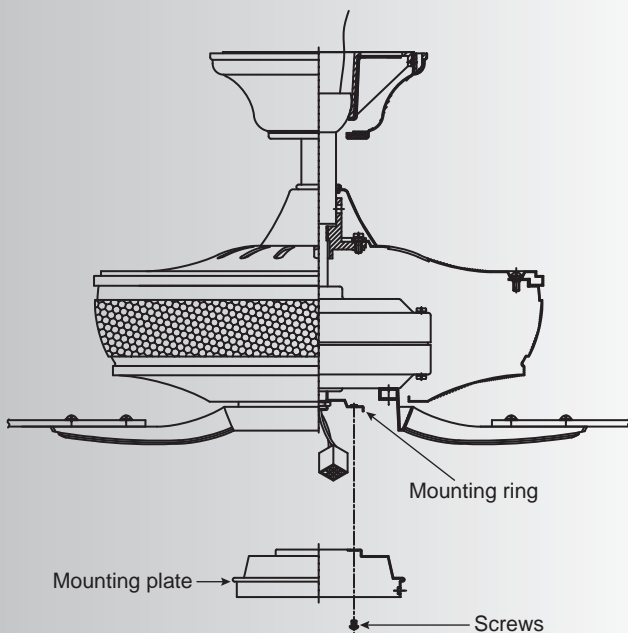


Fig. 17

10. INSTALLING THE MOUNTING PLATE

Step 1. Loosen the two screws on the mounting ring attached to the motor shaft and "remove" and save the third screw. (Fig. 17)

Step 2. Place the key hole slots on the mounting plate over the two screws previously loosened on the mounting ring.

Turn the mounting plate until it locks in place at the narrow section of the key hole slots.

Tighten both key hole screws and replace the third screw previously removed and tighten securely.

11. INSTALLING THE LIGHT FIXTURE

Step 1. Remove the plastic plug from the center of the switch housing. Attach the light fixture to the switch housing by feeding the light fixture wires (black & white) through the hole in the center of the switch housing, then screw the light fixture stem into the center hole. On the inside of the switch housing, place a lock washer and a nut on the light fixture stem and tighten. (Fig. 18)

Step 2. Locate the white and blue wires inside the switch housing labeled FOR LIGHT.

Attach the wires from the light fixture to the wires inside the switch housing by pushing the polarized connections together. (Fig. 18)

- White wire to White wire
- Black wire to Blue wire

Step 3. While holding the light fixture/switch housing assembly under your ceiling fan, push the square wire connectors together. One from the fan and one from the switch housing. (Fig. 19)

NOTE: These connectors are color coded and will ONLY engage when the colored strips are matched (aligned).

Step 4. Carefully push all the wires into the switch housing on the light fixture/switch housing assembly.

Attach the light fixture/switch housing assembly to the mounting plate with the three screws provided. Make sure each screw is tight. (Fig. 19)

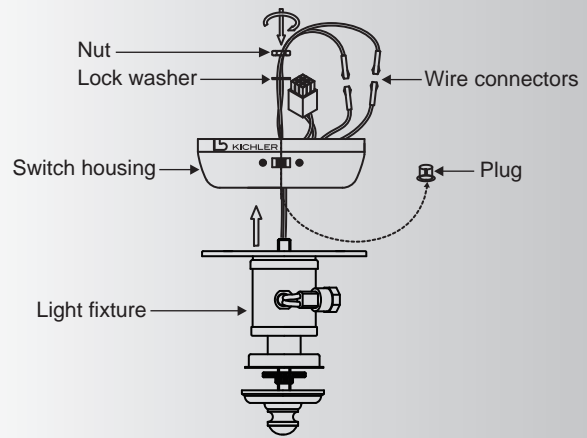


Fig. 18

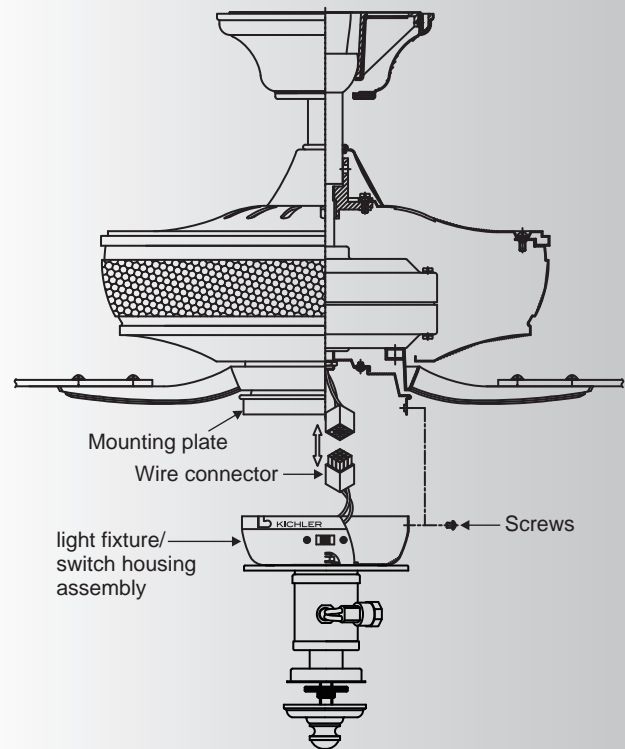


Fig. 19

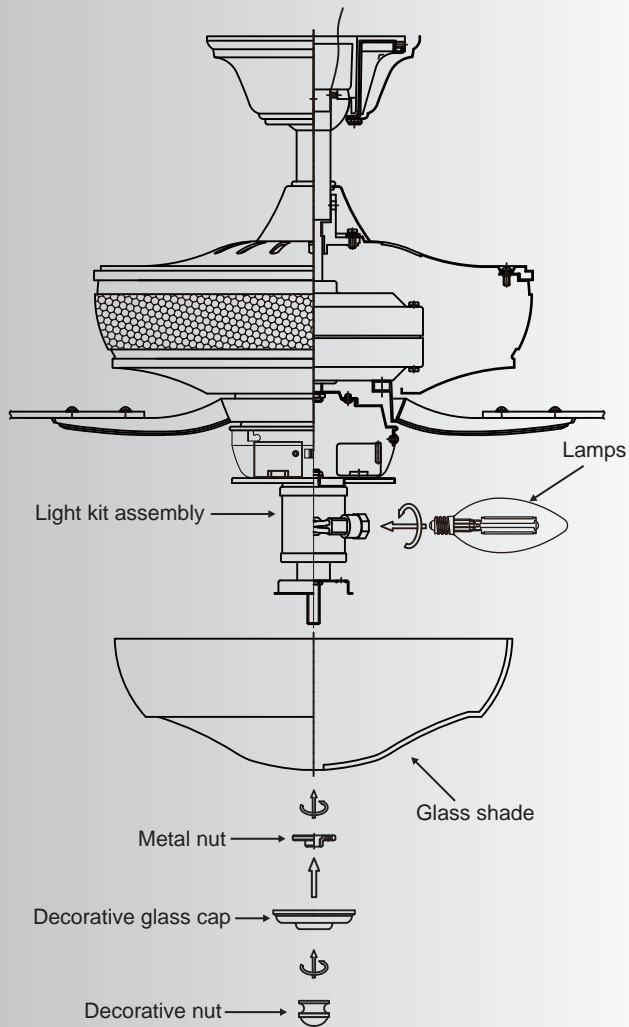


Fig. 20

12. INSTALLING THE LAMP & GLASS SHADE

Step 1. Install 3, 4 Watt, E-12 LED lamps (included).

Step 2. Remove the decorative nut, glass cap and metal nut from the light fixture stem. Place the glass shade over the light fixture stem and secure the shade with a metal nut (rubber side touching the shade). (Fig. 20)

Step 3. Fit the decorative glass cap onto the light fixture stem, while holding the decorative glass cap, thread the decorative nut onto the light fixture stem securely. **DO NOT OVER TIGHTEN.**

Note: Make sure to leave enough space between the fan pull chain and the fluorescent lamp so the chain doesn't rub against any of the lamp.

13. INSTALLING THE BATTERIES

Remove the battery compartment cover on the back of the CoolTouch™ Transmitter and insert both batteries provided. Make sure the + sign is facing up.

Take care during this procedure NOT TO move the frequency dip switches inside this compartment. The settings MUST remain the same as the settings on the receiver for proper communication with the control system.

It's a good idea to remove these batteries if your fan is not used for extend periods of time, (months).

NOTE: Make sure Dip Switch #5 is set to the X position. This disables the dimming function. You light fixture utilizes CFL lamps that can NOT be dimmed.

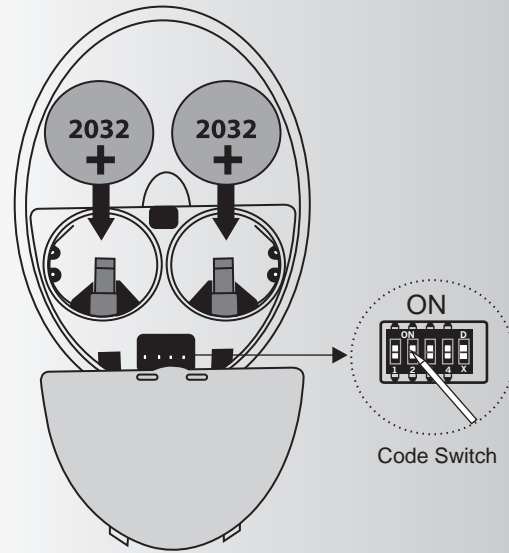


Fig. 21

14. OPERATING INSTRUCTIONS

Restore power to ceiling fan and test for proper operation.

- A. ●, ●●, and ●●● buttons:
These three buttons are used to set the fan speed as follows:
●●● = High speed
●● = Medium speed
● = Low speed
- B. ⏻ button:
This button turns the fan off.
- C. The "💡" button: turns the light ON or OFF and also controls the brightness setting.

Press and hold either button to set the desired brightness level. The next time you turn the light on, the system will remember this setting.

Press and release either button to turn the light ON or OFF.

This control system is **NOT** designed to "Reverse" the rotation of the blades. To set the fan blades in reverse, locate the reverse slide switch located on the side of the Switch Housing. See inset image at right.

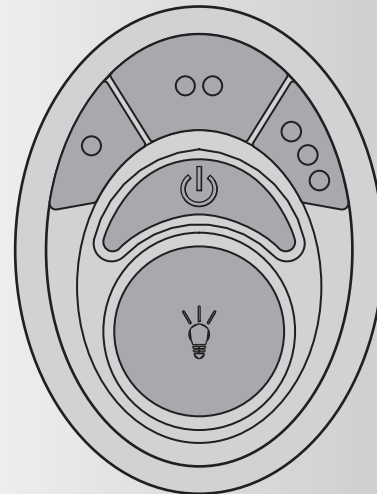


Fig. 22

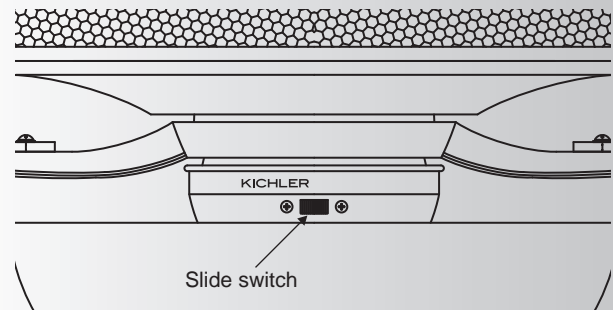
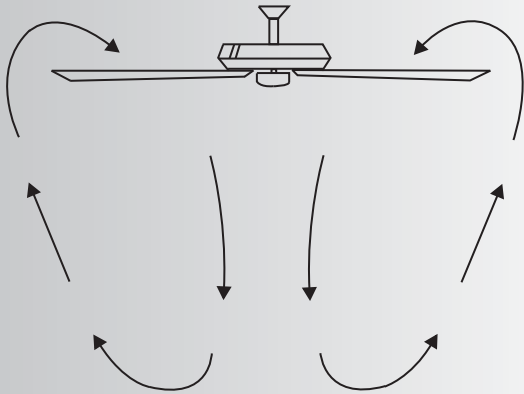
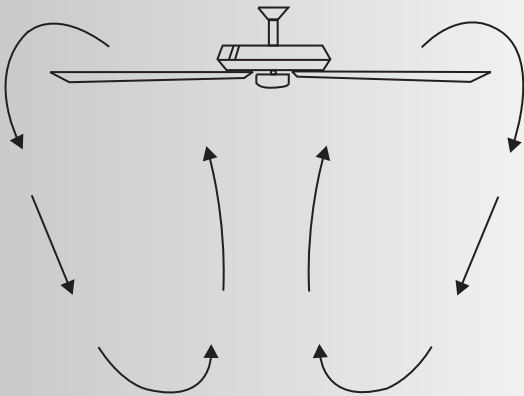


Fig. 23

**Fig. 24****Fig. 25**

15. OPERATING INSTRUCTIONS

The Black Slide Switch on the side of the switch housing controls the direction of the blades "Forward and Reverse".

Warm weather - Forward (counter clockwise)
A downward airflow creates a cooling effect as shown in Fig. 24. This allows you to set your air conditioner on a warmer setting without affecting your comfort.

Cool weather - Reverse (clockwise) An upward airflow moves warm air off the ceiling area as shown in Fig. 25. This allows you to set your heating unit on a cooler setting without affecting your comfort.

NOTE: To change the direction of rotation for the fan blades, locate the reverse switch located on the side of the switch housing.

16. INSTALLING THE COOLTOUCH™ CONTROL SYSTEM WALL PLATE

NOTE: All wiring must be in accordance with the National Electrical Code and local electrical codes. Electrical installation should be performed by a qualified licensed electrician.

Select a location to install your CoolTouch™ Control System Transmitter. You can replace an existing wall switch or, install the transmitter on ANY flat surface.

Option 1: Install the control system using an existing wall switch outlet box.

NOTE: Switch installation must comply with all local and national electric code.

Make sure the electrical power is **TURNED OFF** at the main panel before continuing.

Step 1. Remove the existing wall plate and the old switch from the wall outlet box. Wire nut the **BLACK** leads (hot) together and push back inside the outlet box. (Fig. 26)

Step 2. Install the metal plate and CoolTouch™ wall plate to the existing wall outlet box with 4 screws provided. Then place the two plastic plugs into the wall plate. (Fig. 27)

Option 2: Install the control system on ANY flat surface.

Select the desired location and use the CoolTouch™ wall plate to mark the location for the mounting holes. Use the dry wall anchors and screws provided and finish the installation.

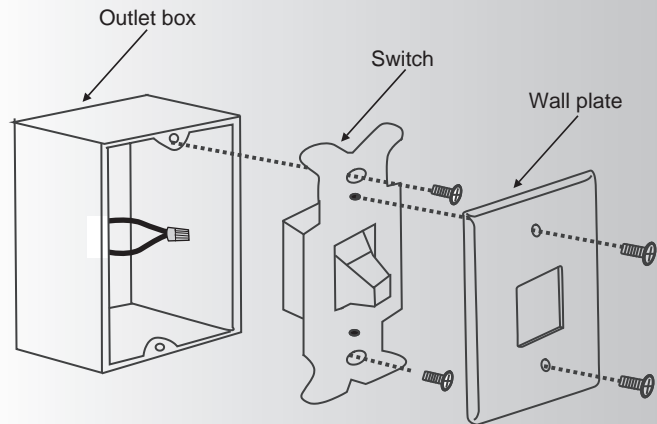


Fig. 26

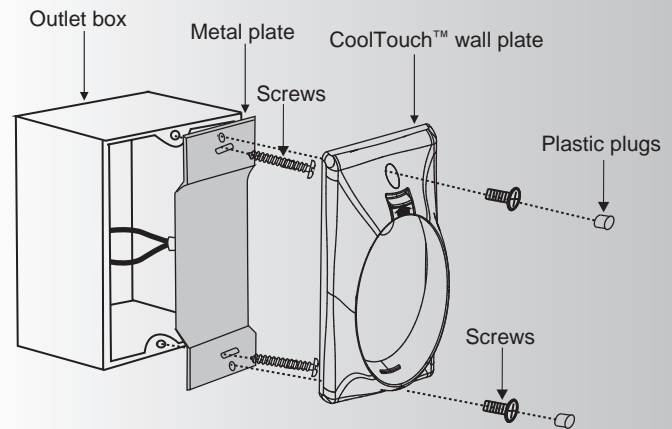


Fig. 27

17. INSTALLING THE TRANSMITTER

1. Insert the transmitter into the wall plate by inserting the bottom of the transmitter first and then press the top of the transmitter into the pocket. The transmitter will fully function from this location or you can remove the transmitter and use as a "Hand Held" device. (Fig. 28)

2. To remove the transmitter from the wall plate, push the release button and the transmitter will fall into your hand.

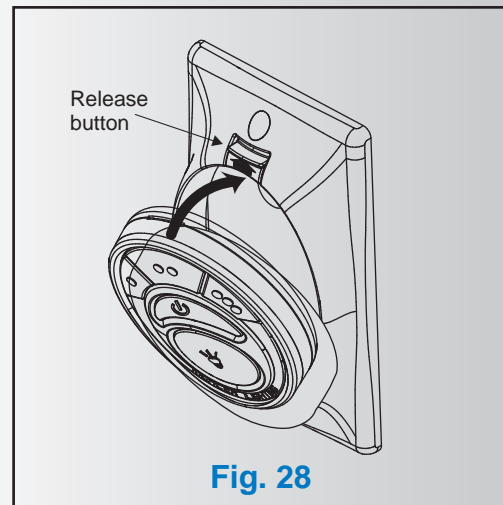


Fig. 28

18. TROUBLESHOOTING

Problem	Solution
Fan will not start.	<ol style="list-style-type: none"> 1. Check circuit fuses or breakers. 2. Check all electrical connections to insure proper contact. CAUTION: Make sure the main power is OFF when checking any electrical connection. 3. Make sure the transmitter batteries are installed properly. Positive (+) side facing out. 4. Insure the batteries have a good charge.
Fan sounds noisy.	<ol style="list-style-type: none"> 1. Make sure all motor housing screws are snug. 2. Make sure the screws that attach the fan blade brackets to the motor are tight. 3. Make sure wire nut connections are not rubbing against each other or the interior wall of the switch housing. CAUTION: Make sure main power is off. 4. Allow a 24-hour "breaking-in" period. Most noise associated with a new fan disappear during this time. 5. If using an optional light kit, make sure the screws securing the glassware are tight. Make sure the light bulbs are not touching any other component. 6. Do not connect this fan to wall mounted variable speed control(s). they are not compatible with ceiling fan motors or remote controls. 7. Make sure the upper canopy is a short distance from the ceiling. It should not touch the ceiling.
Fan wobble.	<ol style="list-style-type: none"> 1. Check that all blade and blade arm screws are secure. 2. Most fan wobbling problems are caused when blade levels are unequal. Check this level by selecting a point on the ceiling above the tip of one of the blades. Measure this distance. Rotate the fan until the next blade is positioned for measurement. Repeat for each blade. The distance deviation should be equal within 1/8". 3. Use the enclosed Blade Balancing Kit if the blade wobble is still noticeable. 4. If the blade wobble is still noticeable, interchanging two adjacent (side by side) blades can redistribute the weight and possibly result in smoother operation. <p>WARNING: TO REDUCE THE RISK OF PERSONAL INJURY AND TO INSURE THE PROPER OPERATION OF YOUR CEILING FAN. NEVER ATTACH THE BLADE ASSEMBLIES UNTIL THE CEILING FAN HAS BEEN MOUNTING ON THE CEILING. DO NOT BEND THE BLADE ARMS WHILE INSTALLING, BALANCING OR CLEANING THE FAN. DO NOT INSERT FOREIGN OBJECTS BETWEEN ROTATING FAN BLADES.</p>
Remote control malfunction.	<ol style="list-style-type: none"> 1. Ceiling Fans with remote control systems CAN NOT be operated in conjunction with any other control system EXCEPT a basic On/Off wall switch, if desired. 2. Make sure the frequency dip switches in the transmitter and receiver have identical settings. 3. Make sure the Black Antenna on the receiver is NOT tangled with any other electrical wires and is extended around the inside of the ceiling canopy.

19. SPECIFICATIONS

Fan Size	Speed	Volts	Amps	Watts	RPM	CFM	CFM/W	N.W.	G.W.	C.F.
52"	High	120	0.60	71.4	186	6233	87.30	11.28 kgs	12.28 kgs	2.88'
	Medium	120	0.48	32.9	121	4176	126.93			
	Low	120	0.32	11.4	60	2145	188.16			

These are approximate measurements. They do not include data for any lamps or fixtures attached to the ceiling fan.

KICHLER®

MONARCH II SELECT DEL 132 CM

Les illustrations du produit peuvent différer légèrement du produit actuel.



MANUEL D'INSTRUCTIONS

RÈGLES DE SÉCURITÉ

1. Pour réduire le risque d'électrocution, s'assurer que l'alimentation a été coupée au disjoncteur de circuit ou à la boîte de fusibles avant de commencer.
2. Tout le câblage doit être installé conformément au code national d'électricité américain (NEC) ou aux codes d'électricité locaux en vigueur. L'installation électrique devrait être réalisée par un électricien qualifié..
3. AVERTISSEMENT: Convient pour une utilisation avec des commandes de vitesse à semi-conducteur.
4. AVERTISSEMENT: Pour réduire le risque de blessures, utiliser seulement les deux vis en acier (et rondelles de blocage) incluses avec votre boîte électrique pour son montage. La plupart des boîtes électriques utilisées actuellement pour supporter les luminaires ne sont pas acceptables en tant que support de ventilateur et peuvent devoir être remplacées. En cas de doute consulter un électricien qualifié.

AVERTISSEMENT

POUR RÉDUIRE LES RISQUES D'INCENDIE, CHOCS ÉLECTRIQUES OU BLESSURES, INSTALLER LE VENTILATEUR SUR LA BOÎTE À PRISES MARQUÉE "CAPABLE DE SUPPORTER UN VENTILATEUR"

5. La boîte électrique et la structure de support doivent être solidement fixées et capables de supporter de manière fiable un minimum de 22,7 KG (50 lb). Utiliser uniquement des boîtes à prises homologuées CUL marquées "POUR SUPPORT DE VENTILATEUR".
6. Le ventilateur doit être installé à une distance de 2,13 m (7 pieds) minimum du bord de fuite des pales par rapport au sol.
7. Pour utiliser la fonction inverse sur ce ventilateur, appuyer sur le bouton de marche arrière pendant que le ventilateur est en marche.
8. Éviter de placer des objets dans la trajectoire des pales.

9. Pour éviter des blessures ou des dommages au ventilateur et autres objets, prendre toutes les précautions nécessaires lors de travaux effectués près du ventilateur ou lors du nettoyage du ventilateur. Ne pas utiliser d'eau ou de détergent lors du nettoyage du ventilateur ou des pales de ventilateur. Un chiffon sec ou légèrement humide convient pour le nettoyage.

10. Ne pas utiliser d'eau ni de détergents pour nettoyer le ventilateur ou les pales du ventilateur. Utiliser un chiffon à poussière sec ou légèrement imbibé pour effectuer la majeure partie du nettoyage.

11. Après avoir effectué les connexions électriques, les conducteurs épissés doivent être tournés vers le haut et soigneusement rentrés dans la boîte électrique. Les fils doivent être séparés c.-à-d. le conducteur de mise à la terre et le blanc (commun) d'un côté et le noir (charge) de l'autre côté de la boîte électrique.

12. Les schémas électriques sont indiqués à titre de référence uniquement. Les ensembles d'éclairage qui ne sont pas emballés avec le ventilateur doivent être homologués CUL et marqués compatibles pour une utilisation avec le modèle de ventilateur à installer. Les commutateurs doivent être pour une utilisation d'ordre général homologués CUL. Vous reporter aux instructions fournies avec les ensembles d'éclairage et les commutateurs pour garantir un assemblage correct.

AVERTISSEMENT

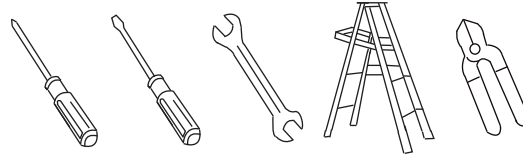
POUR RÉDUIRE LE RISQUE DE BLESSURES, NE PAS PLIER LES SUPPORTS DE PALES (APPELÉS ÉGALEMENT BRIDES) LORS DU MONTAGE OU APRÈS L'INSTALLATION. NE PAS PLACER D'OBJETS DANS LA TRAJECTOIRE DES PALES.

Avis spécial

Cet appareil est équipé d'un "Dispositif de limitation de consommation électrique" exigé par le département de l'Énergie des États-Unis. Le dispositif a été installé à la manufacture et ne peut pas être enlevé. L'installation d'ampoules excédant 190 watts au total désactivera l'unité d'éclairage. Si cela devait arriver, vous devrez faire une réinitialisation du luminaire en mettant le bouton du ventilateur de plafond et/ou du luminaire hors tension, installer de nouvelles ampoules totalisant moins que 190 watts et ensuite remettre sous tension.

OUTILS ET MATÉRIEL REQUIS

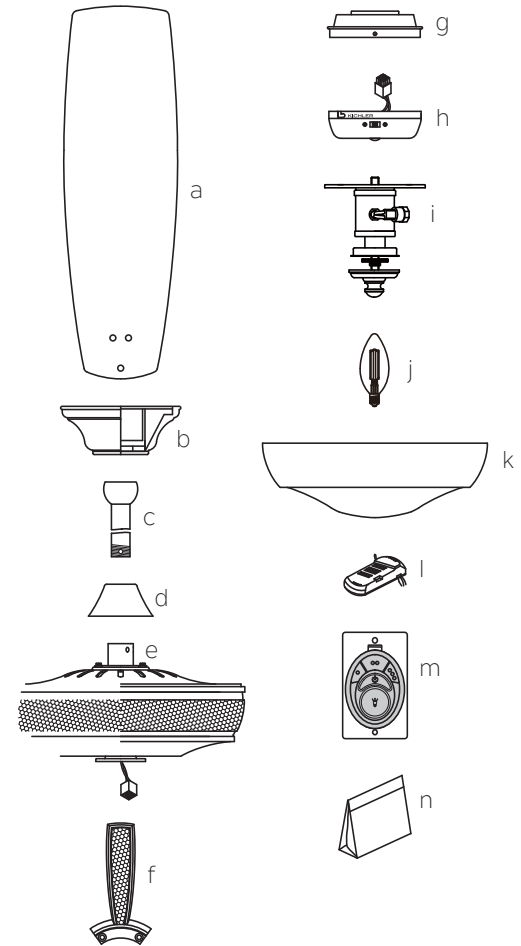
- Tournevis Philips
- Tournevis plat
- Clé de 11 m (0,4pouces)
- Escabeau
- Coupe-fils



CONTENU DE L'EMBALLAGE

Déballer votre ventilateur et vérifier le contenu. Vous devriez disposer des éléments suivants :

- a. Pales de ventilateur (5)
- b. Cache et support de montage au plafond
- c. Ensemble balle/tige
- d. Capot de l'accouplement
- e. Groupe moteur ventilateur
- f. Ensemble de 5 supports de pale et vis de montage préinstallées
- g. Plaque de fixation
- h. Boîtier d'interrupteur
- i. Luminaire
- j. Ampoules 3, 4 Watt E-12, DEL
- k. Cache de verre
- l. Récepteur
- m. Système de Contrôle à fonction limitée CoolTouch™
- n. Contenu du sac de pièces
 - 1) Matériel de montage : rondelles éventail (2) et serre-fils (3), vis mécaniques (2), rondelles (2), vis (2)
 - 2) Matériel de fixation des pales : Vis Allen (17), rondelles en fibre (17)
 - 3) Matériel de câble de sécurité : Vis à bois, rondelles de verrouillage, rondelles plates.
 - 4) Ensemble d'équilibrage



OPTIONS DE MONTAGE

S'il n'y a pas de UL (CUL pour installation canadienne) indiqué dans la boîte de montage, alors lire les instructions suivantes : Débrancher l'alimentation en retirant les fusibles ou en déclenchant les disjoncteurs.

Fixer la boîte électrique directement sur la structure du bâtiment. Utiliser des attaches et des matériaux de construction appropriés. La boîte électrique et son support doivent être en mesure de soutenir le poids du ventilateur en mouvement au moins 22,7 kg (50 lb). Ne pas utiliser de boîtes à prises en plastique.

Les figures 1, 2 et 3 sont des exemples illustrant les différents montages possibles de la boîte électrique.

REMARQUE : Si vous installez le ventilateur de plafond sur un plafond voûté (incliné), vous pouvez avoir besoin d'une tige de suspension plus longue pour maintenir un dégagement approprié entre la pointe de la pale et le plafond. Un espace minimum de 30 cm (12 pouces) est recommandé pour un fonctionnement optimal.

REMARQUE : Selon l'emplacement sélectionné pour l'installation, il peut s'avérer nécessaire d'acheter et d'installer un étrier à solive pour soutenir la boîte électrique. S'assurer que l'étrier à solive a été conçu pour une utilisation avec des ventilateurs de plafond. (Fig. 4)

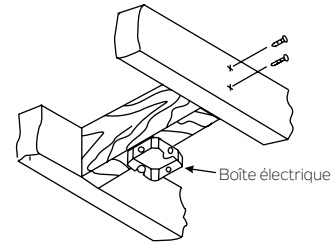


Fig. 1

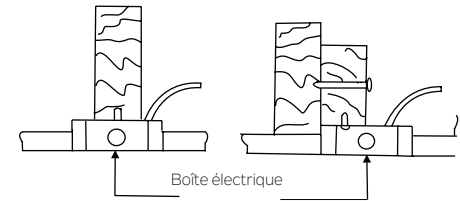


Fig. 2

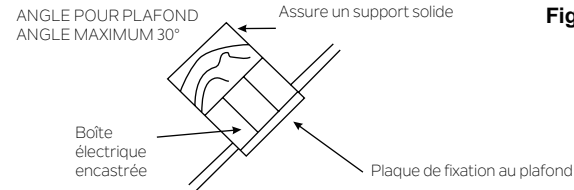


Fig. 3

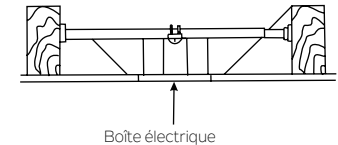


Fig. 4

SUSPENSION DU VENTILATEUR

TOUJOURS couper l'alimentation avant de procéder à l'installation.

Pour installer correctement votre ventilateur de plafond, procéder comme suit.

Étape 1. Retirer le couvercle décoratif inférieur en le tournant dans le sens antihoraire. (Fig. 5)

Étape 2. Retirer le support de montage au plafond du cache en enlevant l'une des deux vis (la conserver pour la suite). Desserrer la vis restante d'un demi-tour. (Fig. 5)

Étape 3. Faites passer les fils 120 V d'alimentation de la boîte électrique du plafond par le centre du support de montage au plafond. (Fig.6)

Étape 4. Fixer le support de montage au plafond à la boîte électrique en utilisant les vis et les rondelles fournies avec la boîte électrique. (Fig. 6)

Étape 5. Retirer la balle de suspension de l'assemblage de la tige de montage en desserrant la vis, dégageant la broche transversale et en faisant glisser la balle de la tige. (Fig.7)

Étape 6. Desserrer les deux vis de pression et enlever la goupille ainsi que l'attache de fixation de l'accouplement sur le dessus du moteur. (Fig. 8)

Étape 7. Acheminer soigneusement les fils conducteurs électriques depuis le ventilateur vers le haut par la tige de suspension. Visser la tige de suspension dans l'accouplement jusqu'à ce que les trous de goupille soient alignés.

Replacer ensuite la goupille et l'attache de fixation. Serrer les deux vis de pression. (Fig. 8)

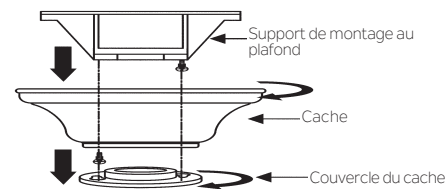


Fig. 5

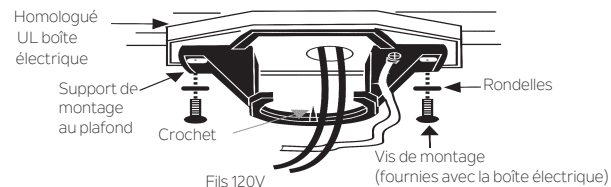


Fig. 6

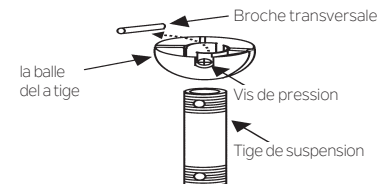


Fig. 7

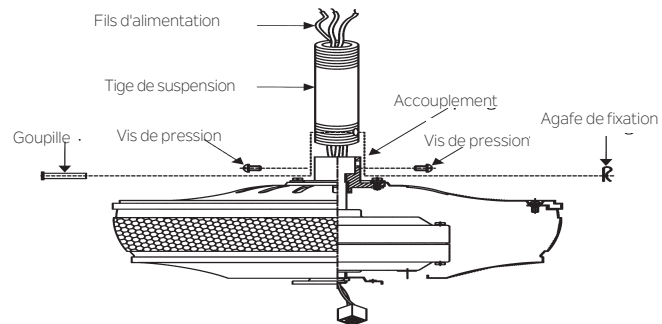


Fig. 8

SUSPENSION DU VENTILATEUR

Étape 8. Faites glisser le couvercle d'accouplement, l'anneau de sécurité, le couvercle du cache et le cache sur la tige de suspension. Visser la balle de suspension sur la broche de suspension, insérer la broche transversale par la tige de suspension et serrer. Serrer maintenant la vis de pression. (Fig. 9)

Étape 9. Soulever le moteur en position et placer la boule de suspension dans le support de montage au plafond. Tourner l'assemblage entier jusqu'à ce que la "Check Tab" (languette de contrôle) se trouve dans "Registration Slot" (fente d'installation) et qu'il soit fermement logé. (Fig.10)

Le moteur entier ne doit pas tourner (à gauche ou à droite) lorsque l'installation est bien logée.

AVERTISSEMENT: Ne pas fixer à nouveau la broche transversale et placer la languette de contrôle ("Check Tab") correctement risque de faire tomber le ventilateur du plafond pendant le fonctionnement. Prendre toutes les précautions nécessaires pour s'assurer que cette broche est remise en place.

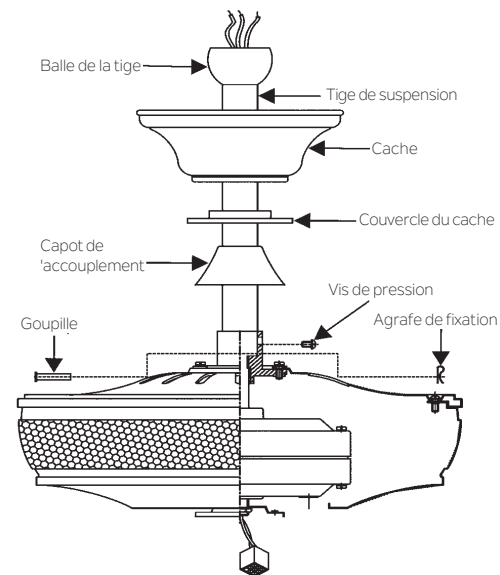


Fig. 9

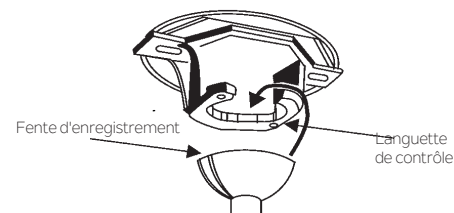


Fig. 10

INSTALLATION DU SUPPORT DE SÉCURITÉ

(requis pour installation Canadienne SEULEMENT)

Le câble de support de sécurité qui est fourni pour empêcher la chute du ventilateur.

Étape 1. Fixer la vis à bois et les rondelles fournies à la solive du plafond à côté du support de montage sans serrer.(Fig. 11)

Étape 2. Ajuster la longueur du câble de sécurité pour atteindre la vis et les rondelles en tirant l'excès de câble à travers le serre-câble jusqu'à ce que la longueur totale soit correcte. Placer l'embout du câble à travers le serre-câble en formant une boucle à l'extrémité du câble. Bien serrer le serre-câble.Mettre maintenant la boucle à l'extrémité du câble de sécurité au-dessus de la vis à bois et sous la rondelle. Bien serrer la vis à bois.

REMARQUE: Bien que le câble de support de sécurité ne soit requis que pour les installations canadiennes. Il est recommandé de l'utiliser avec toute installation.

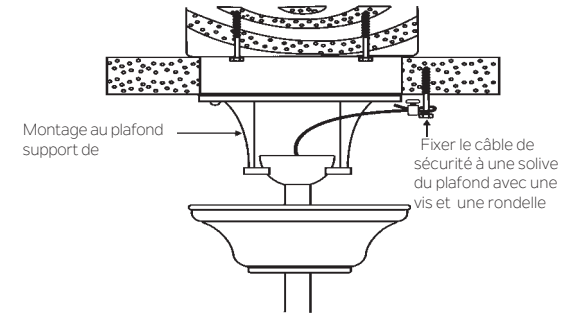


Fig. 11

CONNEXIONS ELECTRIQUES

AVERTISSEMENT: Pour éviter tout choc électrique possible, s'assurer que l'électricité est coupée au niveau du panneau central.

REMARQUE: Dans l'émetteur, mettre le commutateur DIP #5 sur la position D.T.Ceci active la fonction réglage d'intensité car votre ventilateur de plafond utilise des ampoules à incandescence dont l'intensité est réglable. (Voir Fig.12)

Si le commutateur est à la position X la fonction réglage de votre appareil est désactivée.

REMARQUE: Le système de contrôle CoolTouch™ est équipé de 16 combinaisons de fréquences possibles afin de prévenir les interférences avec ou en raison d'autres unités de manettes de commande. Les commutateurs de fréquences de votre récepteur et émetteur ont été préprogrammés en usine. S.V.P. vérifier à nouveau afin de vous assurer que les commutateurs d'émetteur ou de récepteur sont réglés sur la même position, car le ventilateur répondra à n'importe quelle combinaison de réglage tant que l'émetteur et le récepteur sont réglés à la même position. (Fig. 12)

Étape 1. Insérer le récepteur dans le support de montage de plafond avec le côté plat du récepteur, face au plafond. (Fig. 13) Pour une meilleure performance, s'assurer que l'antenne noire, au bout du récepteur, demeure déployée, et qu'elle ne soit pas entourée de fils électriques.

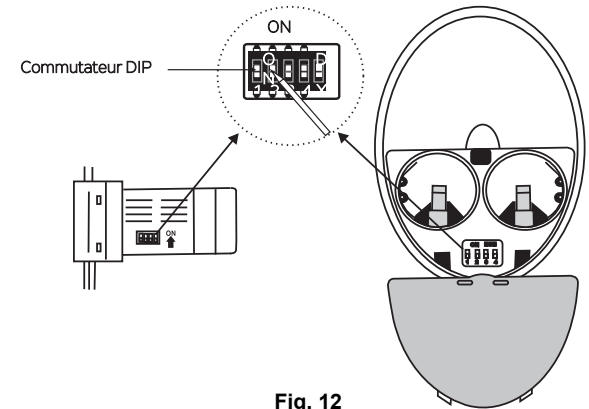


Fig. 12

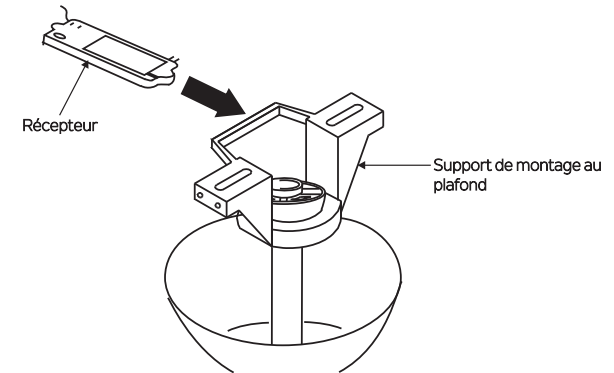


Fig. 13

CONNEXIONS ELECTRIQUES

Étape 2. Connexions électriques Moteur à récepteur : (Fig. 14)

Connecter le fil noir du ventilateur au fil noir marqué « TO MOTOR L » sur le récepteur.

Connecter le fil blanc du ventilateur au fil blanc marqué « TO MOTOR N » sur le récepteur.

Connecter le fil bleu du ventilateur au fil bleu marqué « FOR LIGHT » (pour l'éclairage) sur le récepteur.

Sécuriser chaque connexion de fils à l'aide des écrous à fils en plastique fournis dans le sac de pièces.

REMARQUE: Si le récepteur livré avec votre ventilateur de plafond comporte « un fil orange », vous assurer qu'un écrou à fil est fixé à son extrémité. Aucun fil nu ne devrait être visible. Le fil orange est utilisé pour l'éclairage décoratif sur certains modèles. Sécuriser chaque connexion de fils à l'aide des écrous à fils en plastique fournis dans le sac de pièces.

Étape 3. (Fig. 14) Récepteur pour héberger les connexions de l'alimentation électrique du bâtiment :

Connecter le fil noir (charge) du plafond, au fil noir marqué "AC in L" du récepteur. Connecter le fil blanc (neutre) du plafond au fil blanc marqué "AC in N" du récepteur. Sécuriser chaque connexion de fils à l'aide des écrous à fils en plastique fournis dans le sac de pièces.

Étape 4. (Fig. 14) Si votre boîte électrique comporte un fil de mise à la terre (vert ou cuivre nu) connecter-le au fil de mise à la terre du ventilateur; sinon, connecter le fil de mise à la terre de la bride de suspension au support de montage. Sécuriser chaque connexion de fils à l'aide des écrous à fils en plastique fournis dans le sac de pièces. Après avoir complété la connexion des fils, les séparer de manière à ce que les fils vert et blanc soient d'un côté de la boîte électrique alors que les fils noir et bleu sont de l'autre côté de la boîte. Pousser délicatement les connexions de fils dans la boîte électrique.

REMARQUE: Le ventilateur doit être installé à une distance d'au plus 9,1 m (30 pieds) de l'émetteur à distance CoolTouch™ pour une transmission de signal optimale entre l'émetteur et l'unité de réception du ventilateur.

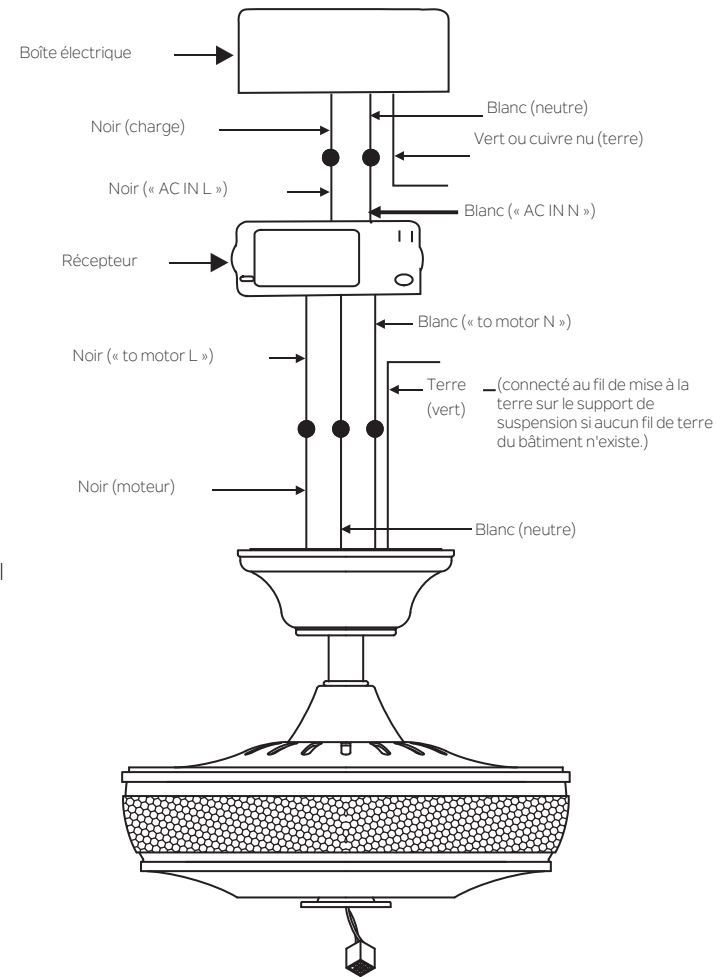


Fig. 14

DERNIÈRES ÉTAPES DE L'INSTALLATION

Étape 1. Placer toutes les connexions soigneusement dans la boîte électrique du plafond.

Étape 2. Faites glisser le cache jusqu'au support de montage et placez l'une des fentes en forme de trou de serrure au-dessus de la vis de montage sur le support de montage. Tournez le cache jusqu'à ce que la tête de la vis soit verrouillée en place à la section étroite du trou de serrure. Voir la figure 15.

Étape 3. Aligner le trou circulaire restant sur le cache au trou restant sur le support de montage au plafond. Insérer, visser et serrer la vis de montage enlevée plus tôt et la vis de montage de l'Étape 2 ci-dessus. Fixer maintenant le couvercle du cache sur les têtes de vis de montage en insérant les têtes de vis dans la partie inférieure du cache et en tournant le couvercle dans le sens horaire.

REMARQUE: Régler les vis du cache au besoin jusqu'à ce que le cache et le couvercle du cache soient ajustés correctement. (Fig. 15)

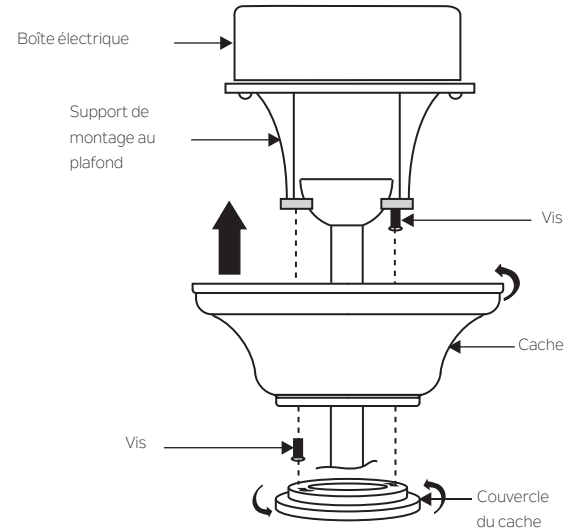


Fig. 15

AFIXATION DES PALES DU VENTILATEUR

ATTENTION: Retirer les cinq blocs de caoutchouc d'expédition fixés sur le devant du moteur. Ces blocs protègent le moteur contre les mouvements durant l'expédition et DOIVENT être retirés à l'installation.

Étape 1. Fixer une pale sur un support de pale à l'aide des vis et rondelles de fibres fournies. (Fig. 16)

Vous assurer que la pale est droite lorsqu'installée sur le support. Serrer chaque vis de montage jusqu'à ce que la rondelle de fibre soit légèrement comprimée. Répéter cette procédure pour chaque pale.

Étape 2. Fixer chaque support de pale sur le moteur à l'aide des vis de montage « préinstallées » sur les supports de pale. (Fig 16)

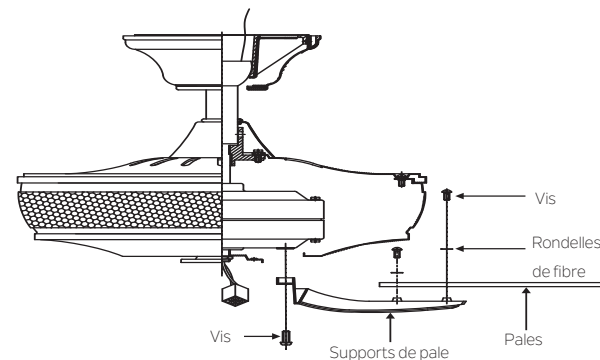


Fig. 16

INSTALLATION DE LA PLAQUE DE MONTAGE DU BOÎTIER DE L'INTERRUPTEUR

Étape 1. Desserrer deux vis sur l'anneau de montage fixé à l'axe du moteur et « retirer » et conserver la troisième vis. (Fig. 17)

Étape 2. Placer les fentes des trous en forme de serrure sur la plaque de montage du boîtier d'interrupteur sur les deux vis desserrées précédemment sur l'anneau de montage.

Tourner la plaque de montage du boîtier d'interrupteur jusqu'à ce qu'elle soit verrouillée en place à la section étroite des trous en forme de serrure.

Serrer les deux vis des trous en forme de serrure et replacer la troisième vis retirée précédemment et serrer fermement.

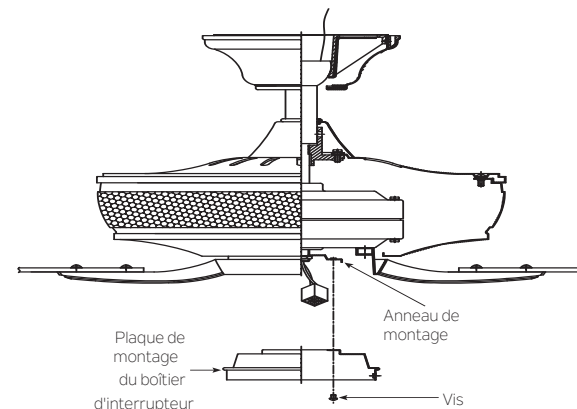


Fig. 17

INSTALLATION DU LUMINAIRE

Étape 1. Retirer le tampon de plastique du centre du boîtier d'interrupteur. Raccorder le luminaire au boîtier d'interrupteur en passant les fils du luminaire (noir et blanc) à travers le trou dans le centre du boîtier d'interrupteur, et ensuite visser la tige du luminaire dans le trou du centre. À l'intérieur du boîtier d'interrupteur, placer une rondelle de verrouillage et un écrou sur la tige du luminaire et serrer.

(Fig. 18)

Étape 2. Localiser les fils blanc et bleu à l'intérieur du boîtier d'interrupteur étiquetés "FOR LIGHT."

Raccorder les fils du luminaire aux fils à l'intérieur du boîtier d'interrupteur en pressant ensemble les connexions polarisées. (Fig. 18)

-Fil blanc à fil blanc

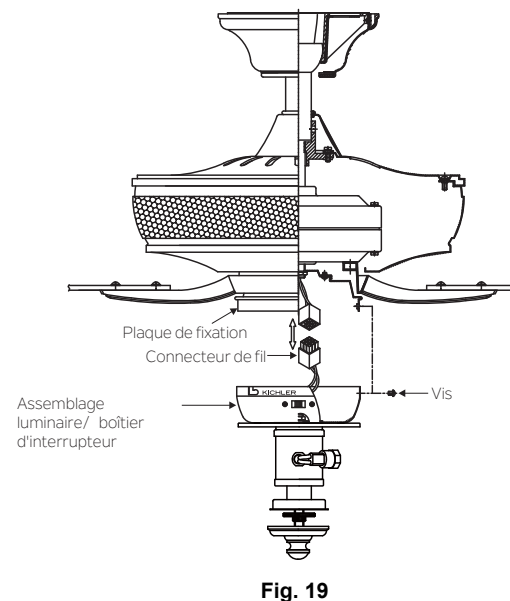
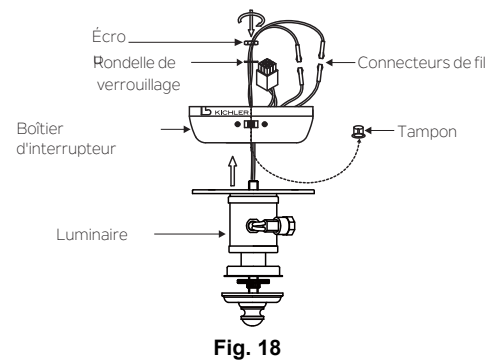
-Fil noir à fil noir

Étape 3. Tout en soutenant le luminaire et le boîtier d'interrupteur sous le ventilateur de plafond, pousser les connecteurs de fils carrés ensemble. Un connecteur du ventilateur et un connecteur du boîtier d'interrupteur. (Fig. 19)

REMARQUE: Ces connecteurs sont colorés selon un code et NE seront activés QUE SI les bandes colorées correspondent (sont alignées).

Étape 4. Pousser délicatement tous les fils dans le boîtier d'interrupteur sur le luminaire/boîtier d'interrupteur.

Raccorder l'assemblage luminaire/boîtier d'interrupteur à la plaque d'assemblage à l'aide des trois vis fournies. S'assurer que toutes les vis sont serrées. (Fig. 19)



INSTALLATION DE LA LAMPE ET DU CACHE DE VERRE

Étape 1. Installer des ampoules DEL 3,4 Watt, E-12 (incluses).

Étape 2. Retirer l'écrou décoratif, le couvercle de verre et l'écrou de métal de la tige du luminaire. Placer le cache de verre par-dessus la tige du luminaire et fixer le cache avec un écrou de métal (côté caoutchouté sur le verre). (Fig. 20)

Étape 3. Ajuster le couvercle décoratif de verre sur la tige du luminaire, tout en tenant le couvercle de verre décoratif, visser l'écrou décoratif sur la tige du luminaire fermement. **NE PAS SERRER TROP.**

REMARQUE: Vous assurer de laisser suffisamment d'espace entre la tirette et la lampe fluorescente pour ne pas que la chaîne frotte sur une lampe.

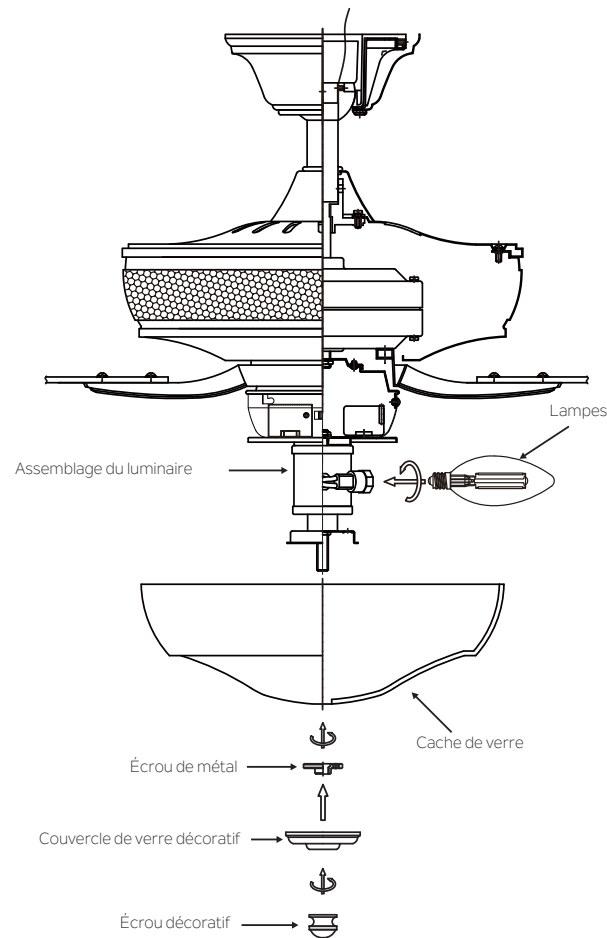


Fig. 20

INSTALLATION DES BATTERIES

Retirer le couvercle du compartiment des batteries à l'arrière de l'émetteur CoolTouch™ et insérer les deux batteries fournies. Vous assurer que le symboles + est en haut.

Prendre soin durant cette procédure de NE PAS déplacer les boutons du commutateur DIP dans le compartiment. Le réglage du commutateur DIP DOIT demeurer identique à celui du receveur pour que la communication avec le système de commande soit possible.

Il serait souhaitable de retirer ces batteries si votre ventilateur n'est pas utilisé pendant une longue période, (par ex. des mois).

REMARQUE: Vous assurer que le bouton #5 du commutateur DIP est positionné à la position X. Ce bouton désactive la fonction réglage d'intensité. Votre luminaire utilise des lampes CFL dont l'intensité NE PEUT PAS être réglée.

INSTRUCTIONS D'UTILISATION

Rouvrir l'alimentation électrique du ventilateur et vous assurer de son fonctionnement adéquat.

A. ●, ●●, et ●●● boutons:

Ces trois boutons sont utilisés pour régler la vitesse du ventilateur comme suit :

●●● = Haute vitesse

●● = Moyenne vitesse

● = Basse vitesse

B. Bouton :

Ce bouton éteint le ventilateur (OFF).

C. Le bouton «  » : allume ou ferme la lumière (ON ou OFF) et commande aussi le réglage de l'intensité.

Presser et maintenir enfoncé un bouton ou l'autre pour régler au niveau d'intensité désiré. La prochaine fois que vous allumerez, le système se souviendra du réglage.

Presser et maintenir enfoncé un bouton ou l'autre pour allumer ou fermer la lumière (ON ou OFF).

Ce système de commande N'EST PAS conçu pour "Renverser" la rotation des pales. Pour mettre les pales en mode marche arrière, localiser l'interrupteur à glissière de marche arrière situé sur le côté du boîtier d'interrupteur. Consulter l'image en médaillon à droite.

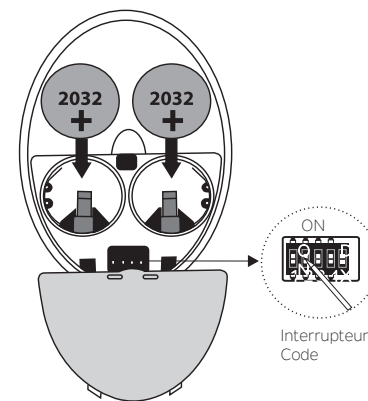


Fig. 21

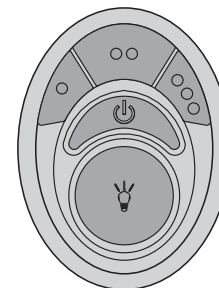


Fig. 22

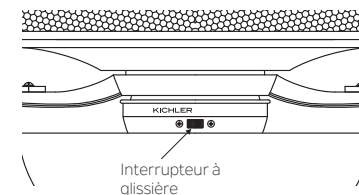


Fig. 23

INSTRUCTIONS D'UTILISATION

L'interrupteur à glissière noir sur le côté du boîtier d'interrupteur commande la direction des pales "Forward et Reverse".

Temps chaud - Forward (sens antihoraire). Un flux descendant produit un effet rafraîchissant comme illustré dans la Fig. 24. Ceci vous permet de régler votre climatisation pour une température plus élevée sans affecter votre confort.

Temps frais - Arrière (sens horaire) Un flux d'air vers le haut déplace l'air chaud hors de la zone du plafond (voir la Fig. 25). Cela vous permet de régler votre degré de chaleur du plus chaud au plus frais sans affecter votre confort général.

REMARQUE : Pour changer le sens de rotation des pales du ventilateur, localiser l'interrupteur "Forward et Reverse" sur le côté du boîtier d'interrupteur.

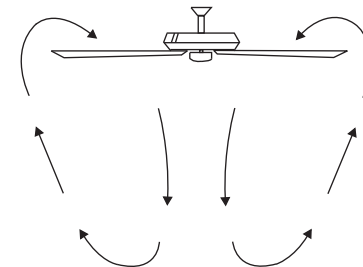


Fig. 24

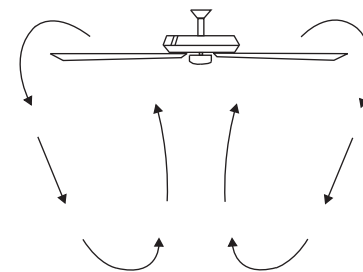


Fig. 25

INSTALLATION DE LA PLAQUE MURALE DU SYSTÈME DE COMMANDE COOLTOUCH™

REMARQUE: Tout le câblage doit être installé conformément au code national d'électricité américain (NEC) ou aux codes d'électricité locaux en vigueur. L'installation électrique devrait être réalisée par un électricien qualifié.

Choisir un endroit où installer votre émetteur de système de commande CoolTouch™. Vous pouvez remplacer un émetteur mural existant ou, installer l'émetteur sur TOUTE surface plate.

Option 1: Installer le système de commande en utilisant une boîte électrique existante d'interrupteur mural. **REMARQUE:** L'installation de l'interrupteur doit être conforme à tous les codes électriques nationaux. Vous assurer que l'alimentation électrique est FERMÉE (OFF) au panneau principal avant de continuer.

Étape 1. Retirer la plaque murale existante et l'ancien interrupteur de la boîte électrique murale. Connecter les conducteurs NOIR (charge) ensemble à l'aide d'un écrou de connexion et les pousser délicatement dans la boîte de connexion. (Fig. 26)

Étape 2. Installer la plaque métallique et la plaque murale CoolTouch™ sur la boîte électrique murale à l'aide des 4 vis fournies. Placer ensuite les deux tampons de plastique dans la plaque murale. (Fig. 27)

Option 2: Installer le système de commande sur TOUTE surface plate.

Choisir l'emplacement désiré et utiliser la plaque murale CoolTouch™ pour marquer l'emplacement des orifices de montage. Utiliser les ancrages et vis à cloison sèche fournis et compléter l'installation.

INSTALLATION DE L'ÉMETTEUR

1. Insérer l'émetteur dans la plaque murale en insérant le bas de l'émetteur d'abord et en insérant ensuite le haut de l'émetteur dans la pochette. L'émetteur devrait fonctionner totalement de cet endroit, sinon vous pouvez retirer l'émetteur et l'utiliser comme un dispositif mobile. (Fig. 28)
2. Pour retirer l'émetteur de la plaque murale, pousser le bouton de dégagement et l'émetteur tombera dans votre main.

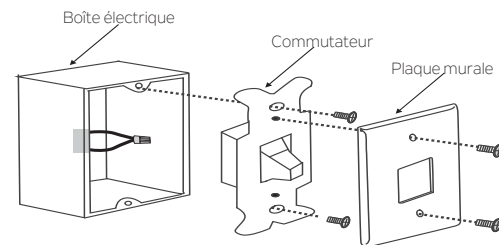


Fig. 26

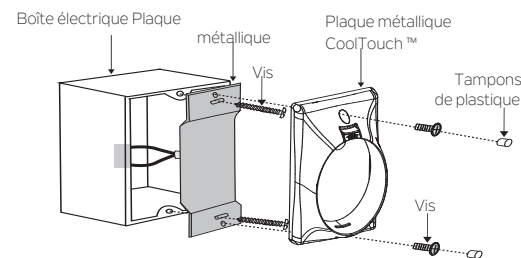


Fig. 27

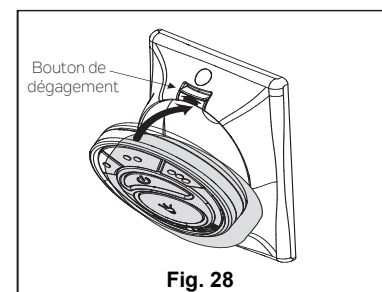


Fig. 28

DÉPANNAGE

Problème

Solution 1.Vérifier les fusibles et les disjoncteurs.

Le ventilateur ne

2.Vérifier toutes les connexions électriques pour vous assurer que les contacts sont adéquats.

démarre pas.

ATTENTION: Vous assurer que l'alimentation principale est COUPÉE lors de la vérification des raccordements électriques.

3.Vous assurer que les batteries de l'émetteur sont installées correctement. Côté positif (+) vers l'extérieur 4.

4.Vous assurer que la charge des batteries est bonne.

Le ventilateur est bruyant.

1.Vous assurer que toutes les vis du boîtier du moteur sont serrées fermement.

2.Vous assurer que les vis qui fixent les pales du ventilateur sur le moteur sont serrées fermement.

3.Vous assurer que les connexions des écrous à fil ne frottent pas les unes sur les autres ou sur les parois intérieures du boîtier d'interrupteur. **ATTENTION :** Vous assurer que l'alimentation principale est fermée (OFF).

4.Permettre une période de « rodage » de 24 heures. La plupart des bruits associés à un nouveau ventilateur disparaissent durant cette période.

5.Si un ensemble d'éclairage facultatif est utilisé, vous assurer que les vis immobilisant les composantes en verre sont serrées. Vous assurer que les ampoules ne touchent pas d'autres composantes.

6.Ne pas connecter ce ventilateur à une commande murale pour vitesse variable. Elles ne sont pas compatibles avec les moteurs de ventilateur ou les commandes à distance.

7.Vous assurer que le cache supérieur est à une courte distance du plafond. Il ne devrait pas toucher le plafond.

Battement axial du ventilateur (oscillation).

1.Vous assurer que toutes les vis de pale et de support de pale sont serrées fermement.

2.La plupart des problèmes de vacillement des ventilateurs proviennent des niveaux inégaux des pales. Vérifier ce niveau en sélectionnant un point sur le plafond au-dessus de l'embout de l'une des pales. Mesurer la distance pour chacune. Faire tourner le ventilateur jusqu'à ce que la prochaine pale soit correctement positionnée pour la mesure. Répéter pour chacune des pales. La variation de la distance ne devrait pas excéder 1/8".

3.Utiliser l'ensemble d'équilibrage de pales inclus si le battement axial des pales est encore présent.

4.Si le battement axial est encore présent, permuter deux pales adjacentes (côte à côte) peut rééquilibrer le poids et possiblement permettre un fonctionnement plus doux.

AVERTISSEMENT : POUR RÉDUIRE LE RISQUE DE BLESSURE ET VOUS ASSURER DU FONCTIONNEMENT ADÉQUAT DE VOTRE VENTILATEUR DE PLAFOND. NE JAMAIS FIXER LES PALES SUR LE VENTILATEUR AVANT QUE LE VENTILATEUR DE PLAFOND NE SOIT INSTALLÉ AU PLAFOND. NE PAS PLIER LES SUPPORTS DE PALE LORS DE L'INSTALLATION, DE L'ÉQUILIBRAGE OU DU NETTOYAGE DU VENTILATEUR. NE PAS INSÉRER D'OBJETS ENTRE LES PALES EN MOUVEMENT.

DÉPANNAGE

Problème

Solution

Dysfonctionnement
de la télécommande

1. Les ventilateurs de plafond avec des systèmes de contrôle à distance NE PEUVENT PAS fonctionner conjointement avec tout autre système de commande SAUF un interrupteur mural de base (On/Off), si désiré.
2. Vous assurer que les boutons de fréquence dans l'émetteur et le récepteur ont un réglage identique.
3. Vous assurer que l'antenne NOIR sur le récepteur N'EST PAS emmêlée avec des fils électriques et s'étend autour de l'intérieur du cache de plafond.

SPECIFICATIONS

Taille du ventilateur	Vitesse	Voit	Ampérage	Watt	T/M	PCM	PCM/W	Poids net	Poids brut	Pied cubes
52"	Haute	120	0.60	71.4	186	6233	87.30	11.28 kg	12.28 kg	2.88'
	Moyenne	120	0.48	32.9	121	4176	126.93			
	Basse	120	0.32	11.4	60	2145	188.16			

Ce sont des mesures approximatives. Elles ne tiennent pas compte des ampoules et dispositif raccordés au ventilateur de plafond.

KICHLER®

www.kichler.com

ÉCLAIRAGE KICHLER®

7711 EAST PLEASANT VALLEY ROAD P.O. BOX 318010

CLEVELAND, OHIO 44131-8010

SERVICE CLIENTÈLE 866.558.5706

DE 08:30 à 17:00 HEURE DE L'EST, DU LUNDI AU VENDREDI

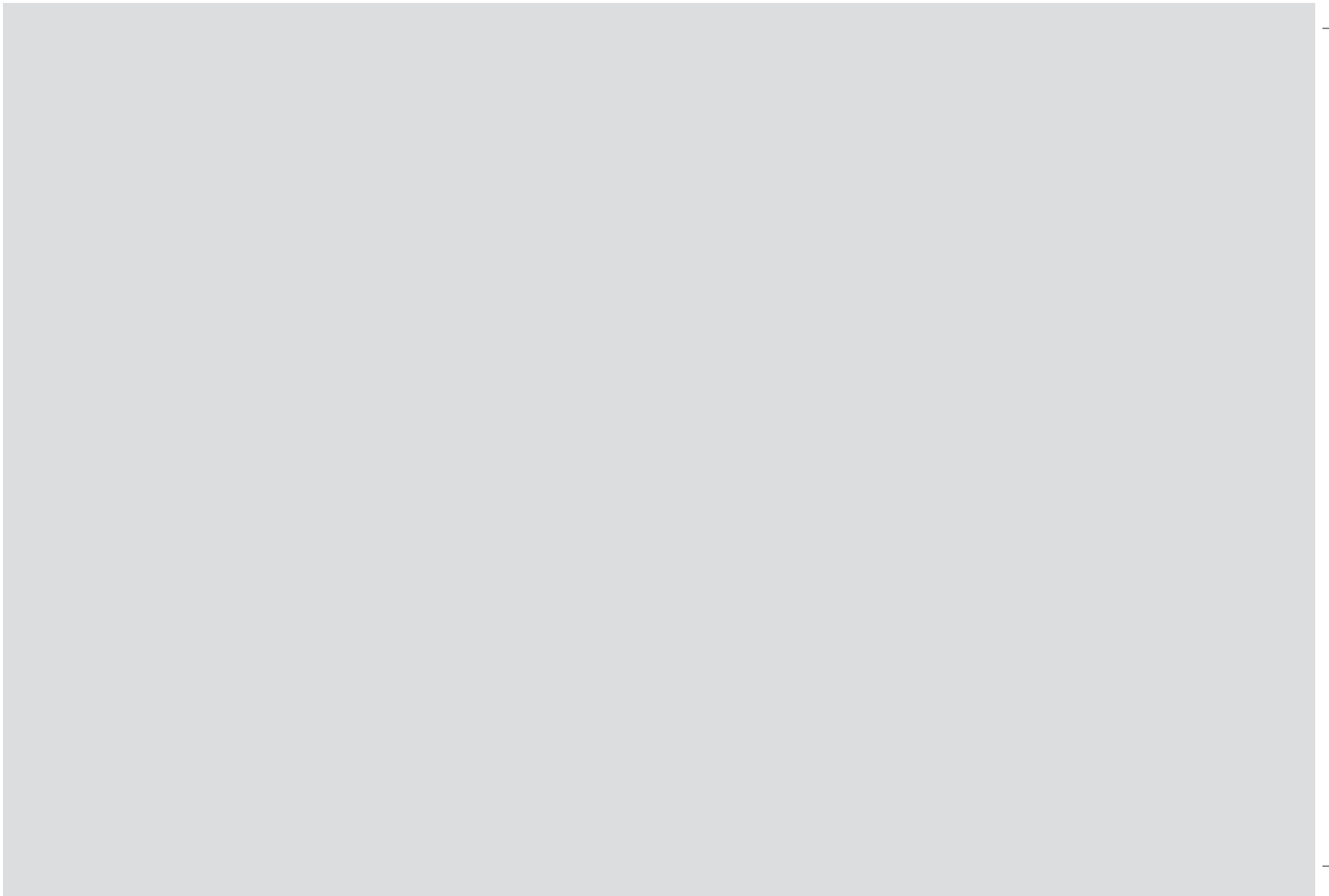
KICHLER®

52" MONARCH II SELECT LED

Las imágenes pueden variar levemente respecto del producto real.



MANUAL DE INSTRUCCIONES



1. NORMAS DE SEGURIDAD

1. Para reducir el riesgo de descarga eléctrica, asegúrese de haber cortado el suministro de energía desde el disyuntor o la caja de fusibles antes de comenzar.
2. Todo el cableado debe realizarse conforme a lo establecido por el Código Eléctrico Nacional y a los códigos eléctricos locales. La instalación eléctrica debe ser realizada por un electricista con licencia profesional.
3. **ADVERTENCIA:** Apto para uso con controles de velocidad de estado sólido.
4. **ADVERTENCIA:** Para reducir el riesgo de lesiones personales, utilice únicamente los dos tornillos de montaje (y arandelas de seguridad) proporcionados con la caja de distribución eléctrica. La mayoría de las cajas de distribución eléctrica utilizadas comúnmente para el soporte de artefactos de iluminación no resultan adecuadas para el soporte de ventiladores y pueden requerir un reemplazo. Consulte a un electricista con licencia profesional si tiene alguna duda.

ADVERTENCIA

PARA REDUCIR EL RIESGO DE INCENDIO, DESCARGA ELÉCTRICA O LESIONES, INSTALE EL VENTILADOR EN UNA CAJA DE DISTRIBUCIÓN ELÉCTRICA DESIGNADA COMO "ACEPTABLE PARA EL SOPORTE DE VENTILADORES".

5. La caja de distribución eléctrica y la estructura de soporte deben instalarse en forma segura y ser capaces de soportar completamente un peso mínimo de 50 libras. Utilice únicamente cajas de distribución eléctrica con certificación CUL designadas como "ACEPTABLES PARA SOPORTE DE VENTILADORES".
6. El ventilador debe instalarse con una distancia mínima de 7 pies entre el borde posterior de las aspas y el piso.
7. Para operar la función inversa en este ventilador, oprima el botón de sentido inverso mientras el ventilador esté funcionando.
8. Evite colocar objetos en el recorrido de las aspas del ventilador.
9. Para evitar lesiones personales o daños al ventilador y otros objetos, tome todos los recaudos necesarios al limpiar o trabajar en el ventilador.

10. No utilice agua ni detergente para limpiar el ventilador o las aspas del ventilador. Un paño seco o levemente humedecido será suficiente para realizar la mayoría de las tareas de limpieza.
11. Después de realizar las conexiones eléctricas, los empalmes de los conductores deben colocarse hacia arriba y empujarse con cuidado hacia arriba hasta introducirse en la caja de distribución eléctrica. Los cables deben estar bien espaciados con el cable de puesta a tierra y el cable blanco (común) de un costado y el cable negro (carga) del otro costado de la caja de distribución eléctrica.
12. Los diagramas eléctricos se incluyen únicamente a efectos ilustrativos. Los kits de iluminación no incluidos con el ventilador deben contar con certificación CUL y estar autorizados para uso con el modelo de ventilador que usted esté instalando. Los interruptores deben ser interruptores de uso general con certificación CUL. Consulte las instrucciones que se incluyen con los kits de iluminación y los interruptores para una ensamblaje adecuado.

ADVERTENCIA

PARA REDUCIR EL RIESGO DE LESIONES PERSONALES, NO CURVE LOS SOPORTES DE LAS ASPAS (TAMBIÉN DENOMINADOS ABRAZADERAS) DURANTE EL ENSAMBLAJE O DESPUÉS DE LA INSTALACIÓN. NO INSERTE OBJETOS EN EL RECORRIDO DE LAS ASPAS.

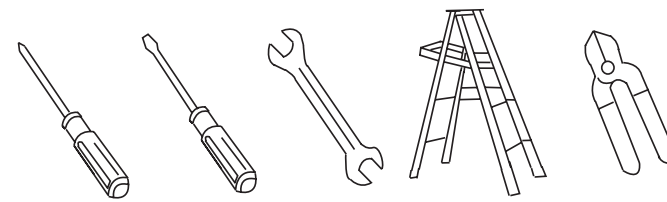
Aviso especial

Este artefacto está equipado con un "dispositivo de limitación de potencia en vatios" requerido por el Departamento de Energía de los Estados Unidos. El dispositivo viene instalado de fábrica y no puede retirarse.

La instalación de lámparas que excedan los 190 vatios totales deshabilitará el artefacto de iluminación de la unidad. Si esto ocurriera, usted deberá reiniciar el artefacto de iluminación desconectando el suministro de energía eléctrica del ventilador de techo y/o el artefacto de iluminación, y volviendo a instalar lámparas que no excedan los 190 vatios totales. Luego deberá reconectar el suministro de energía eléctrica.

2. HERRAMIENTAS REQUERIDAS

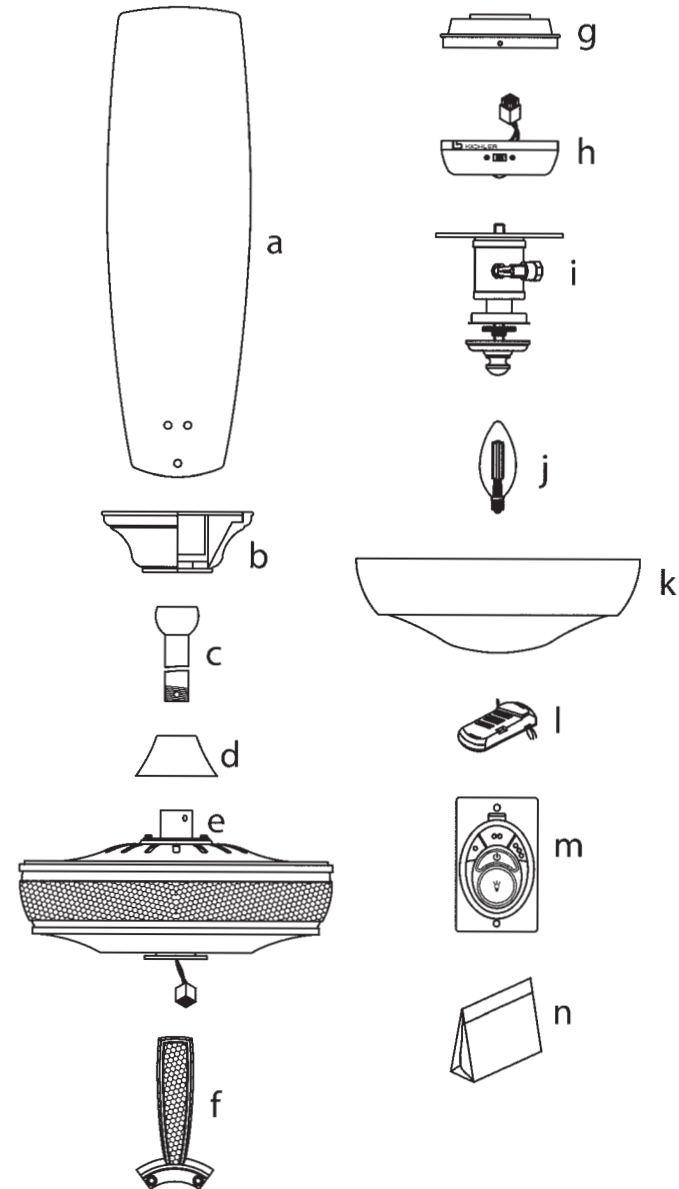
- Destornillador Philips
- Destornillador plano
- Llave de 11 mm
- Escalera
- Cortacables



3. CONTENIDO DEL ENVASE

Retire el ventilador de la caja y verifique que estén todos sus componentes. La caja debería contener los siguientes elementos:

- Aspas del ventilador (5)
- Cubierta y soporte de montaje para cielorraso
- Ensamblaje de bola/Vástago de extensión
- Tapa de acoplamiento
- Ensamblaje del motor del ventilador
- Juego de 5 soportes de aspas y tornillos de montaje preinstalados
- Placa de montaje
- Caja de interruptores
- Artefacto de iluminación
- Lámparas LED de 3/4 V E-12
- Pantalla de vidrio
- Receptor
- Sistema de control de función limitada CoolTouch™
- Contenido de la bolsa de piezas
 - Piezas metálicas de montaje: arandelas de estrella (2), tuercas para cable (3), tornillos para metal (2), arandelas (2), tornillos (2)
 - Piezas metálicas para acoplamiento de las aspas: tornillos Allen (17), arandelas de fibra (17)
 - Piezas metálicas del cable de seguridad: Tirafondos, arandela de seguridad, arandela plana
 - Kit de balanceo



OPCIONES DE MONTAJE

Si no hay ninguna caja de montaje existente con certificación UL (cUL para instalación en Canadá), entonces lea las siguientes instrucciones. Desconecte el suministro de energía eléctrica retirando los fusibles o apagando los disyuntores.

Sujete la caja de distribución directamente a la estructura de la construcción. Utilice tornillos de fijación y materiales de construcción. La caja de distribución eléctrica y su soporte deben ser capaces de soportar completamente el peso en movimiento del ventilador (por lo menos 50 libras). No utilice cajas de distribución eléctrica de plástico.

Las figuras 1, 2 y 3 son ejemplos de diferentes formas de montaje de la caja de distribución.

NOTA: Si usted está instalando el ventilador de techo en un cielorraso cóncavo (abovedado), es posible que necesite un vástago de extensión más largo para mantener la separación adecuada entre el extremo de las aspas y el techo. Se recomienda una separación de 12" para un funcionamiento óptimo.

NOTA: Dependiendo del lugar que haya seleccionado para la instalación, es posible que usted necesite comprar e instalar un "colgante de viga" para el soporte de la caja de distribución eléctrica. Asegúrese de que el colgante de viga que compre se haya diseñado para uso con ventiladores de techo. (Fig. 4)

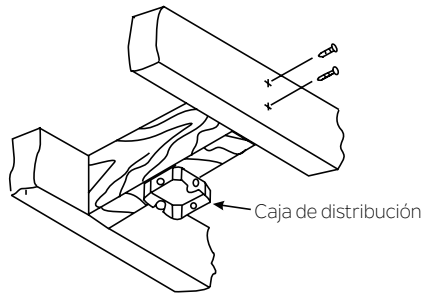


Fig. 1

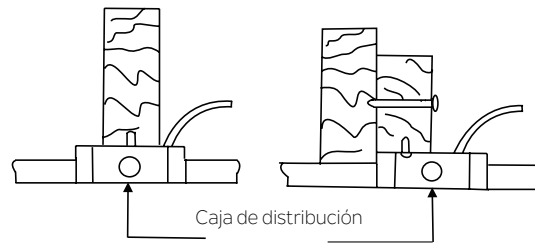


Fig. 2

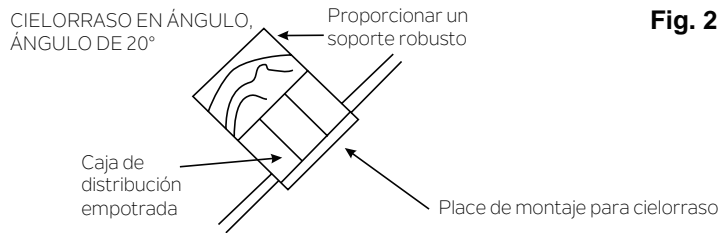


Fig. 3

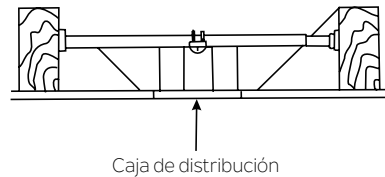


Fig. 4

5. CÓMO COLGAR EL VENTILADOR

RECUERDE desconectar el suministro de energía eléctrica antes de comenzar con la instalación.

Para instalar su ventilador de techo de manera adecuada, siga los pasos detallados a continuación.

Paso 1. Retire la tapa inferior de la cubierta decorativa haciéndola girar en sentido antihorario. (Fig. 5)

Paso 2. Retire el soporte de montaje para cielorraso de la cubierta quitando uno de los dos tornillos (que debe guardarse). Afloje media vuelta el otro tornillo. (Fig. 5)

Paso 3. Pase los cables de alimentación de 120 voltios desde la caja de distribución eléctrica del techo a través del centro de la placa de montaje de techo. (Fig. 6)

Paso 4. Acople el soporte de montaje para cielorraso a la caja de distribución eléctrica utilizando los tornillos y las arandelas incluidas con la caja de distribución. (Fig. 6)

Paso 5. Retire la bola colgante del ensamblaje del vástago de extensión aflojando el tornillo embutido, desatornillándolo y retirando el pasador transversal y deslizando la bola hasta sacarla del vástago. (Fig. 7)

Paso 6. Afloje los dos tornillos y retire el pasador de enganche y el clip de sujeción del acoplamiento en la parte superior del ensamblaje del motor. (Fig. 8)

Paso 7. Inserte con cuidado los cables eléctricos desde el ventilador hacia arriba a través del vástago de extensión. Enrosque el vástago de extensión en el acoplamiento hasta que los orificios del pasador de enganche estén alineados.

Luego, vuelva a colocar el pasador de enganche y el clip de sujeción. Ajuste ambos tornillos embutidos. (Fig. 8)

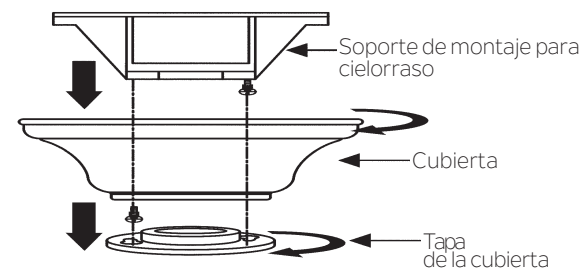


Fig. 5

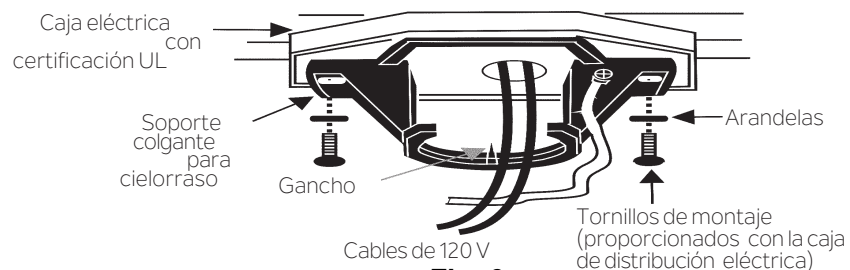


Fig. 6

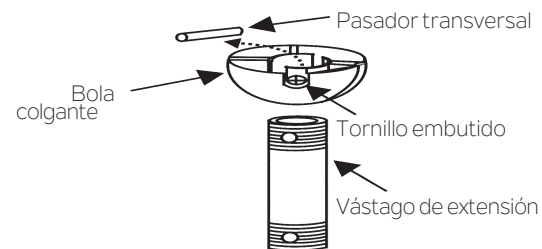


Fig. 7

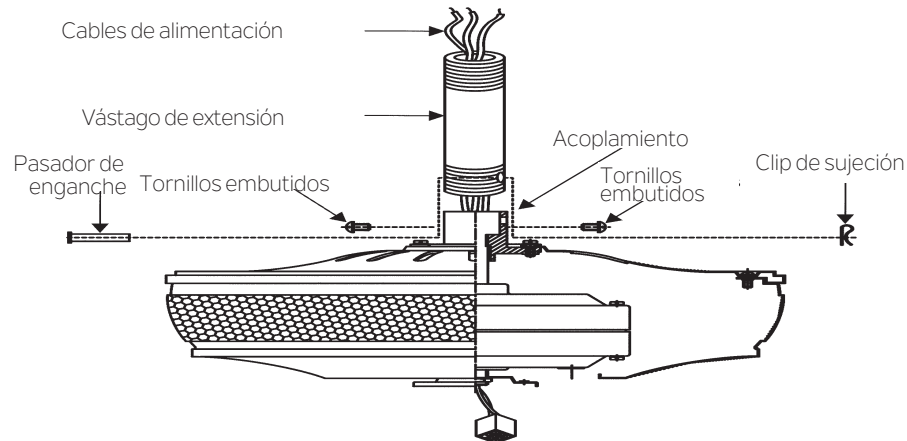


Fig. 8

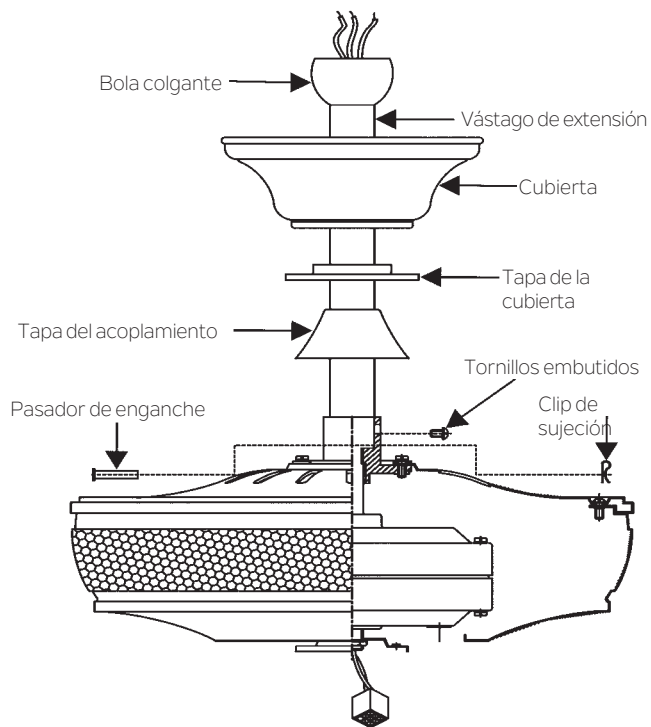


Fig. 9

CÓMO COLGAR EL VENTILADOR

Paso 8. Deslice la tapa de acoplamiento, la tapa de la cubierta y la cubierta sobre el vástago de extensión. Enrosque la bola colgante en el vástago de extensión, inserte el pasador transversal en el vástago de extensión y ajuste. Ahora, ajuste el tornillo embutido. (Fig. 9)

Paso 9. Levante el cuerpo del motor hasta ubicarlo en posición y coloque la bola colgante dentro del soporte de montaje para cielorraso.

Gire el ensamblaje completo hasta que la “pestaña de verificación” haya caído en la “ranura de registro” y se haya asentado con firmeza. (Fig. 10)

El cuerpo completo del motor no girará (hacia la derecha o hacia la izquierda) si esto no se hace correctamente.

ADVERTENCIA: Si no se vuelve a acoplar el pasador transversal y asentar la “pestaña de verificación” el ventilador podría caer durante su funcionamiento. Tome todos los recaudos necesarios para asegurarse de que el pasador vuelva a posicionarse en su lugar

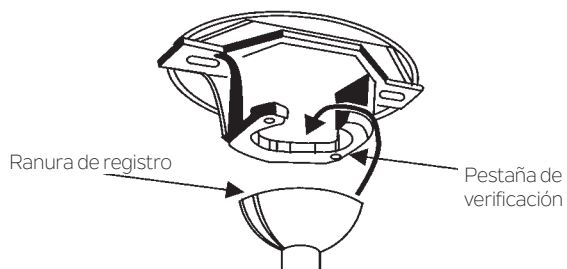


Fig. 10

6. INSTALACIÓN DEL SOPORTE DE SEGURIDAD

(Se requiere ÚNICAMENTE para su instalación en Canadá)

Se incluye un cable de soporte de seguridad que contribuye a evitar que el ventilador de techo se caiga.

Paso 1. Inserte un tirafondos y arandelas en el colgante de viga junto al soporte de montaje, pero no ajuste. (Fig. 11)

Paso 2. Ajuste la longitud del cable de seguridad para alcanzar el tornillo y las arandelas jalando todo el cable extra a través del sujetacables hasta que la longitud total sea la correcta; coloque el extremo del cable hacia atrás a través del sujetacables, formando un bucle al final del cable. Ajuste el sujetacables con firmeza. Ahora, coloque el bucle al final del cable de seguridad por encima del tirafondo y por debajo de la arandela. Ajuste bien el tirafondo.

NOTA: Aunque el cable de soporte de seguridad se requiere únicamente para instalaciones en Canadá, se recomienda su uso con cualquier instalación.

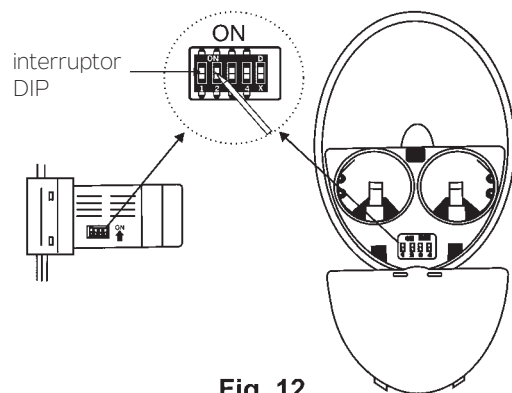


Fig. 12

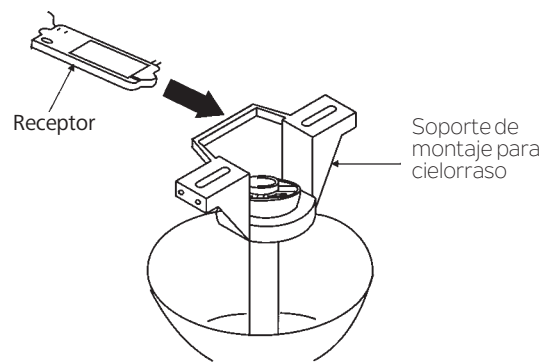


Fig. 13

7. CONEXIONES ELÉCTRICAS

ADVERTENCIA: Para evitar posibles descargas eléctricas, asegúrese de haber desconectado el suministro de energía eléctrica desde el panel principal.

NOTA: En el transmisor, configure el interruptor DIP de #5 en la posición D. Esto permite la activación de la función de regulación de intensidad de la luz ya que el cielorraso utiliza lámparas incandescentes que pueden regularse. (Ver Fig. 12)

Si el interruptor está en la posición X, la función de regulación de intensidad de la luz de su artefacto estará deshabilitada.

NOTA: El sistema de control CoolTouch™ está equipado con 16 posibles combinaciones de frecuencias para evitar, a interferencia desde o con otras unidades de control remoto. Los interruptores de frecuencia del receptor y el transmisor vienen configurados de fábrica. Vuelva a verificar para comprobar que los interruptores del receptor y el transmisor estén en la misma posición; cualquier combinación de configuraciones hará funcionar el ventilador siempre que el transmisor y el receptor estén en la misma posición. (Fig. 12)

Paso 1. Inserte el receptor en el soporte de montaje para cielorraso con el lado plano del receptor mirando al techo. (Fig. 12) Para un mejor desempeño, asegúrese de que la antena negra, al final del receptor, permanezca extendida y no se enrosque con ningún cable eléctrico.

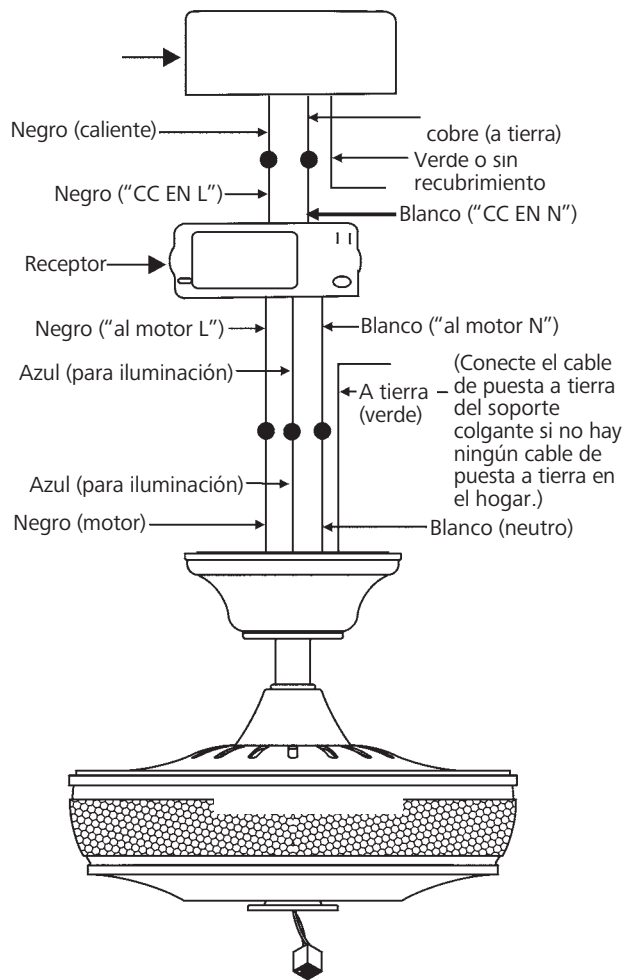


Fig. 14

Paso 2. Conexiones eléctricas del motor al receptor:

(Fig. 14)

Conecte el cable negro del ventilador al cable negro marcado como "AL MOTOR L" del receptor.

Conecte el cable blanco del ventilador al cable blanco marcado como "AL MOTOR N" del receptor.

Conecte el cable azul del ventilador al cable azul marcado como "PARA ILUMINACIÓN " del receptor.

NOTA: Si el receptor incluido con su ventilador de techo tiene un #cable naranja", asegúrese de que haya una tuerca para cable acoplada al extremo del cable. No debe sobresalir ningún cable.

El cable naranja se utiliza para iluminación decorativa en algunos modelos.

Asegure cada grupo de conexiones de cables con las tuercas plásticas para cable proporcionadas en la bolsa de partes.

Paso 3. (Fig. 14) Conexiones eléctricas del receptor a los cables de alimentación del hogar:

Conecte el cable negro (caliente) del cielorraso al cable negro marcado como "CC en L" del receptor.

Conecte el cable blanco (neutro) del cielorraso con el cable blanco marcado como "CC en N" del receptor.

Asegure las conexiones de cables con las tuercas plásticas para cable proporcionadas.

Paso 4. (Fig. 14). Si su caja de distribución tiene

un cable de puesta a tierra (verde o cobre sin recubrimiento), conéctelo a los cables de puesta a tierra del ventilador; en caso contrario, conecte el cable de puesta a tierra del soporte colgante al soporte de montaje. Asegure la conexión eléctrica con una tuerca de plástico para cable proporcionada. Después de haber conectado los cables, sepárelos de manera que el cable verde y el cable blanco queden de un costado de la caja de distribución y el cable azul y el cable negro queden del otro costado. Empuje con cuidado las conexiones de cables hacia arriba dentro de la caja de distribución.

NOTA: El ventilador debe instalarse a una distancia mínima de 30 pies del transmisor remoto CoolTouch™ para lograr una transmisión óptima de la señal entre el transmisor y la unidad receptora del ventilador.

8. FINALIZACIÓN DE LA INSTALACIÓN

Paso 1. Inserte las conexiones en forma ordenada dentro de la caja de distribución eléctrica del cielorraso.

Paso 2. Deslice la cubierta hacia arriba hasta el soporte de montaje y coloque una de las ranuras de los orificios principales sobre el tornillo de montaje en el soporte de montaje. Haga girar la cubierta hasta que el tornillo se traben en posición en la sección angosta del orificio principal. Ver Figura 15.

Paso 3. Alinee el orificio circular restante sobre la cubierta con el orificio restante del soporte de montaje para cielorraso. Inserte y ajuste el tornillo de montaje que retiró anteriormente y el tornillo de montaje del Paso 2 arriba.

Ahora, acople la tapa de la cubierta con las cabezas del tornillo de montaje insertando las cabezas de los tornillos del lado inferior de la tapa de la cubierta y haciendo girar la tapa en sentido horario.

NOTA: Ajuste los tornillos de la cubierta según sea necesario hasta que la cubierta y la tapa de la cubierta estén bien ajustadas. (Fig. 15)

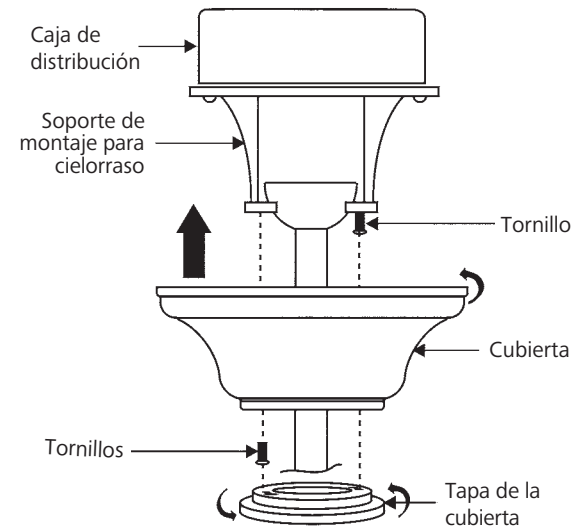


Fig. 15

9. ACOPLAMIENTO DE LAS ASPAS

¡PRECAUCIÓN! Retire los cinco bloques de transporte de goma acoplados a las paredes del motor. Estos bloques evitan el desplazamiento del motor durante el transporte y DEBEN retirarse durante la instalación.

Paso 1. Acople un aspa al soporte del aspa utilizando los tornillos y las arandelas de fibra proporcionados. (Fig. 16)

Asegúrese de que el aspa esté derecha al colocarse en el soporte del aspa. Ajuste cada tornillo de montaje hasta que la arandela de fibra se comprima levemente. Repita este procedimiento con cada una de las aspas restantes.

Paso 2. Acople cada ensamblaje del aspa al motor utilizando los tornillos de montaje "preinstalados" en el soporte del aspa. (Fig. 16)

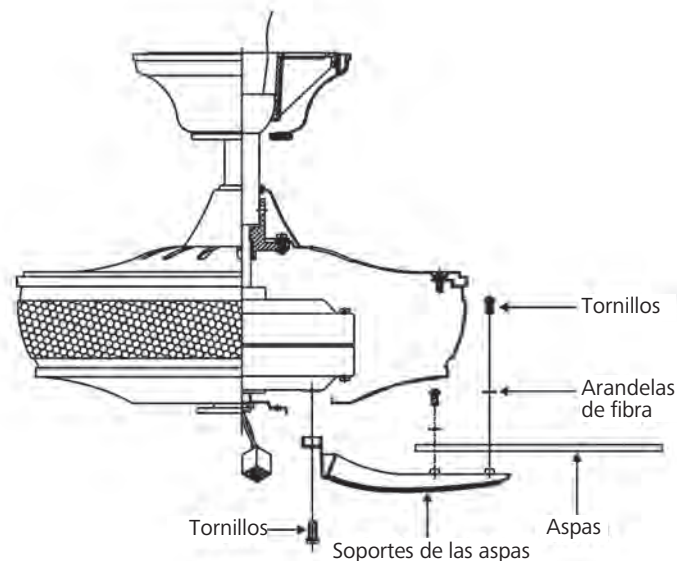


Fig. 16

10. INSTALACIÓN DE LA PLACA DE MONTAJE

Paso 1. Afloje los dos tornillos del anillo de montaje acoplados al eje del motor y "retire" y guarde el tercer tornillo. (Fig. 17)

Paso 2. Coloque las ranuras de los orificios principales de la placa de montaje sobre los dos tornillos aflojados previamente del anillo de montaje.

Haga girar la placa de montaje hasta que se traben en posición en el extremo angosto de las ranuras de los orificios principales.

Ajuste ambos tornillos de los orificios principales y vuelva a colocar el tercer tornillo retirado previamente y ajuste con bien.

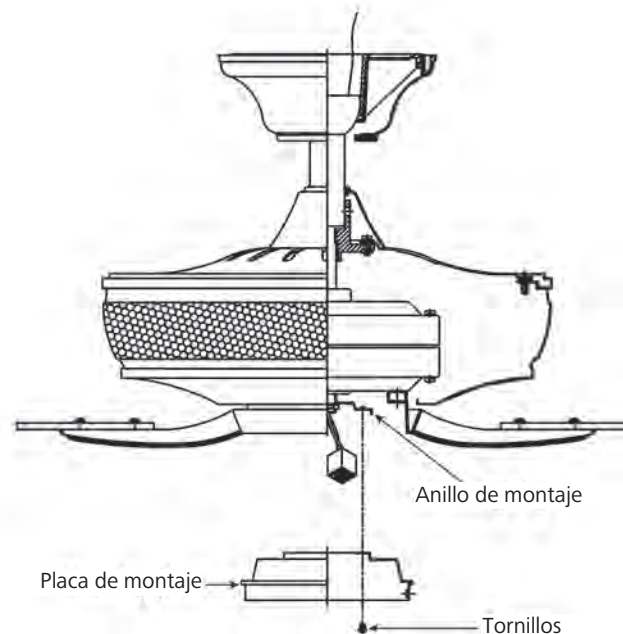


Fig. 17

11. INSTALACIÓN DEL ARTEFACTO DE

ILUMINACIÓN

Paso 1. Retire el tapón plástico del centro de la caja de interruptores. Acople el artefacto de iluminación a la caja de interruptores insertando los cables del artefacto de iluminación (blanco y negro) por el orificio del centro de la caja de interruptores; luego atornille el vástago del artefacto de luz en el orificio central. En el interior de la caja de interruptores, coloque una arandela de seguridad y una tuerca en el vástago del artefacto de iluminación y ajuste bien. (Fig. 18)

Paso 2. Coloque el cable blanco y el cable azul dentro de la caja de interruptores marcada como PARA ILUMINACIÓN.

Conecte los cables del artefacto de iluminación a los cables dentro de la caja de interruptores empujando las conexiones polarizadas entre sí. (Fig. 18)

- Cable blanco con cable blanco
- Cable negro con cable azul

Paso 3. Sujetando el ensamblaje de artefacto de iluminación/caja de interruptores por debajo del ventilador de techo, empuje los conectores de cables cuadrados entre sí: uno del ventilador con uno de la caja de interruptores. (Fig. 19)

NOTA: Estos conectores están codificados por color y ÚNICAMENTE se conectarán cuando las rayas de colores coincidan (estén alineadas).

Paso 4. Empuje con cuidado todos los cables dentro de la caja de interruptores en el ensamblaje del artefacto de iluminación/caja de interruptores.

Acople el ensamblaje del artefacto de iluminación/caja de interruptores a la placa de montaje con los tres tornillos proporcionados. Asegúrese de que cada tornillo esté bien ajustado. (Fig. 19)

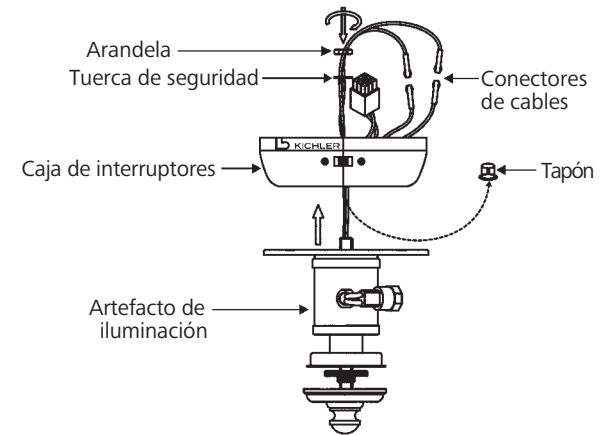
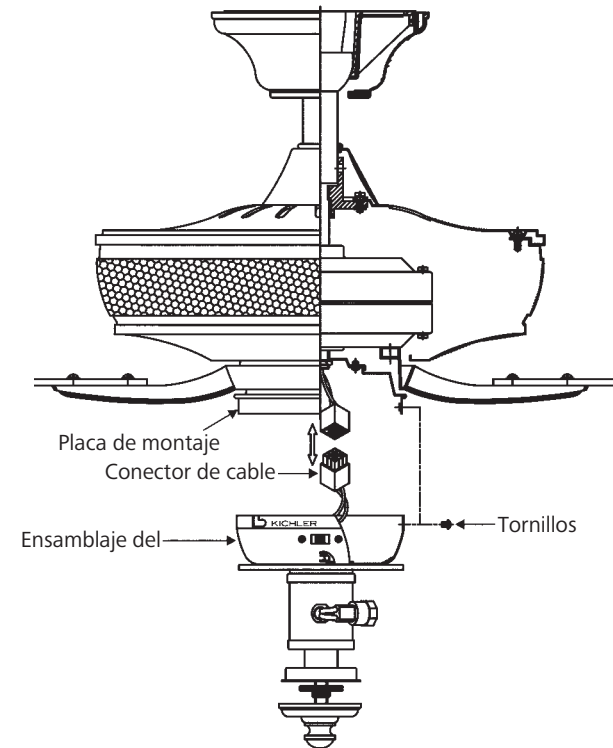


Fig. 18



12. INSTALACIÓN DE LA LÁMPARA Y LA

PANTALLA DE VIDRIO

Paso 1. Instale las lámparas LED de 3/4 voltios, E-12 (incluidas).

Paso 2. Retire la tuerca decorativa, la tapa de vidrio y la tuerca de metal del vástago del artefacto de iluminación. Coloque la pantalla de vidrio sobre el vástago del artefacto de iluminación y asegure la pantalla con una tuerca de metal (el lado de goma debe tocar la pantalla). (Fig. 20)

Paso 3. Ajuste la tapa de vidrio decorativa sobre el vástago del artefacto de iluminación, sujetando la tapa de vidrio decorativa, y enrosque la tuerca decorativa en el vástago del artefacto de iluminación hasta que quede ajustada. NO AJUSTE EN EXCESO.

Nota: Asegúrese de dejar suficiente espacio entre la cadena del ventilador y la lámpara fluorescente para que la cadena no roce contra ninguna de las lámparas.

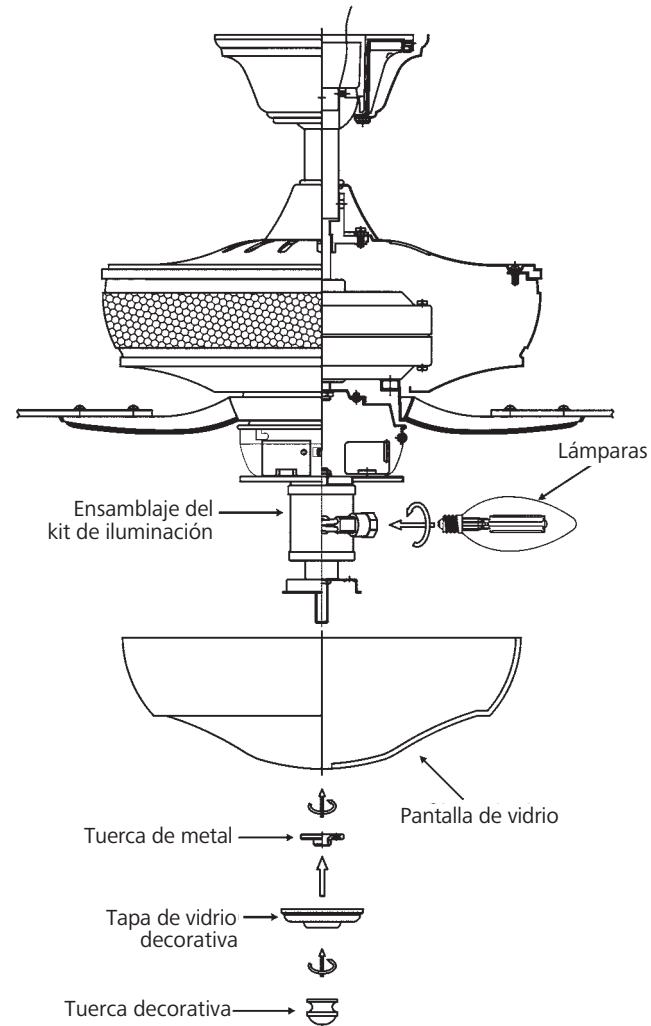


Fig. 20

13. INSTALACIÓN DE LAS BATERÍAS

Retire la tapa del compartimiento de las baterías de la parte de atrás del transmisor CoolTouch™ e inserte ambas baterías proporcionadas. Asegúrese de que el signo + esté mirando hacia arriba.

Tenga cuidado durante este procedimiento de NO mover los interruptores DIP de frecuencia dentro del compartimiento. Las configuraciones DEBEN ser siempre las mismas que las del receptor para una comunicación adecuada con el sistema de control.

Una buena idea es quitar las baterías si el ventilador no se utiliza por largos períodos de tiempo, (meses).

NOTA: Asegúrese de que el interruptor DIP #5 esté en la posición X. Esto deshabilita la función de regulación de intensidad de la luz. Su artefacto de iluminación utiliza lámparas CFL cuya intensidad NO puede regularse.

14. INSTRUCCIONES DE FUNCIONAMIENTO

Conecte nuevamente el suministro de energía eléctrica del ventilador de techo y compruebe que su funcionamiento sea el adecuado.

A. Botones ●, ●●, y ●●●:

Estos tres botones se utilizan para configurar la velocidad del ventilador de la siguiente manera:

●●● = Alta
velocidad ●● =
Velocidad media

● = Baja velocidad B. Botón ⏻:

Este botón apaga el ventilador

C. El botón "💡": ENCIENDE o APAGA la luz y también controla la configuración del brillo.

Presione y mantenga presionado cualquier botón para configurar el nivel de brillo deseado. La próxima vez que usted encienda la luz, el sistema recordará esta configuración.

Presione y suelte el botón para ENCENDER y APAGAR la luz.

Este sistema de control **NO** está diseñado para "invertir" la rotación de las aspas. Para configurar el sentido inverso de rotación de las aspas del ventilador, deslice el interruptor de sentido inverso ubicado al costado de la caja de interruptores. Ver la imagen insertada a la derecha.

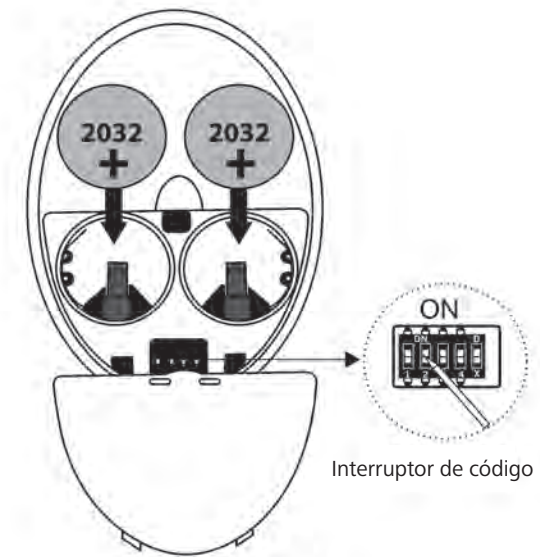


Fig. 21



Fig. 22

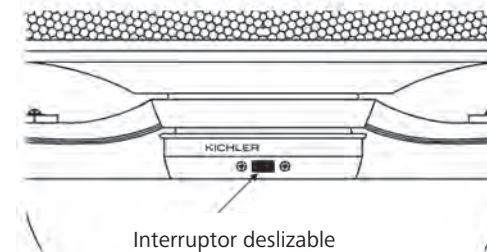


Fig. 23

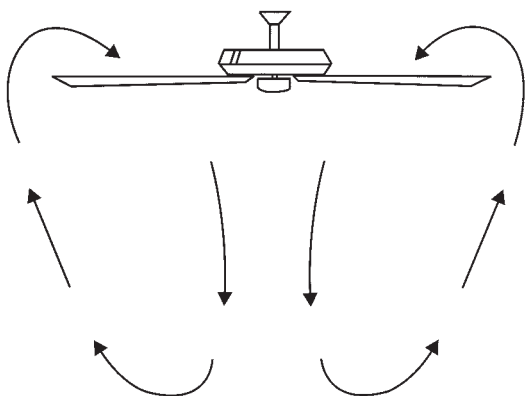


Fig. 24

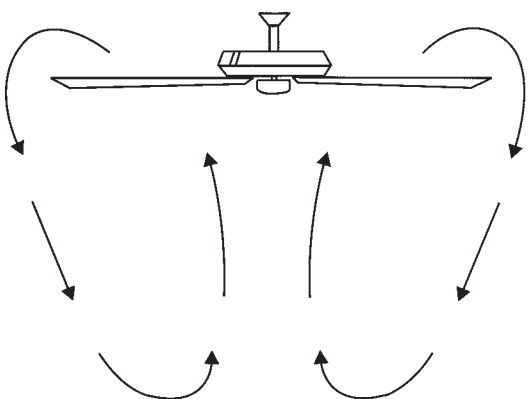


Fig. 25

15. INSTRUCCIONES DE FUNCIONAMIENTO

El interruptor deslizable negro al costado de la caja de interruptores controla la dirección de rotación de las aspas "hacia adelante o en sentido inverso".

Clima cálido — Avance (sentido antihorario) Un flujo de aire descendente crea un efecto de enfriamiento tal como se muestra en la Fig. 24. Esto permite configurar su acondicionador de aire en casos de clima más cálido sin afectar su comodidad.

Clima frío — Sentido inverso (sentido horario) Un flujo de aire ascendente desplaza el aire caliente del área del cielorraso tal como se muestra en la Fig. 25. Esto permite configurar la calefacción en casos de clima más fresco sin afectar su comodidad.

NOTA: Para cambiar la dirección de rotación de las aspas del ventilador de techo, utilice el interruptor de sentido inverso ubicado al costado de la caja de interruptores.

16. INSTALACIÓN DE LA PLACA DE PARED DEL

SISTEMA DE CONTROL COOLTOUCH™

NOTA: Todo el cableado debe realizarse conforme a lo establecido por el Código Eléctrico Nacional y a los códigos eléctricos locales. La instalación eléctrica debe ser realizada por un electricista con licencia profesional.

Seleccione el lugar donde desea instalar el transmisor del sistema de control CoolTouch™. Puede reemplazar un interruptor de pared existente o instalar el control de pared en CUALQUIER superficie plana.

Opción 1: Instale el sistema de control utilizando una caja de distribución eléctrica de pared existente.

NOTA: la instalación del interruptor debe cumplir con las especificaciones del Código Eléctrico Nacional y a los códigos eléctricos locales.

Asegúrese de desconectar el suministro de energía eléctrica desde el panel central antes de continuar.

Paso 1. Retire la placa de pared existente y el antiguo interruptor de la caja de distribución de pared. Conecte con una tuerca las terminaciones de cables NEGROS (calientes) entre sí y vuelva a empujarlos al interior de la caja de distribución. (Fig. 26)

Paso 2. Instale la placa de metal y la placa de pared CoolTouch™ en la caja de distribución de pared existente con los 4 tornillos proporcionados. Luego, coloque los dos tapones plásticos en la placa de pared. (Fig. 27)

Opción 2: Instale el sistema de control en CUALQUIER superficie plana.

Seleccione la ubicación deseada y utilice la placa de pared CoolTouch™ para marcar la ubicación de los orificios de montaje. Utilice anclajes para paneles de yeso y los tornillos proporcionados y termine la instalación.

17. INSTALACIÓN DEL TRANSMISOR

1. Inserte el transmisor en la placa de pared colocando primero la parte inferior del transmisor y presionando luego la parte superior del transmisor dentro del bolsillo. El transmisor funcionará perfectamente desde este lugar o usted puede quitar el transmisor y utilizarlo como dispositivo "manual". (Fig. 28)

2. Para quitar el transmisor de la placa de pared, presione el botón de liberación y el transmisor se desprenderá en su mano.

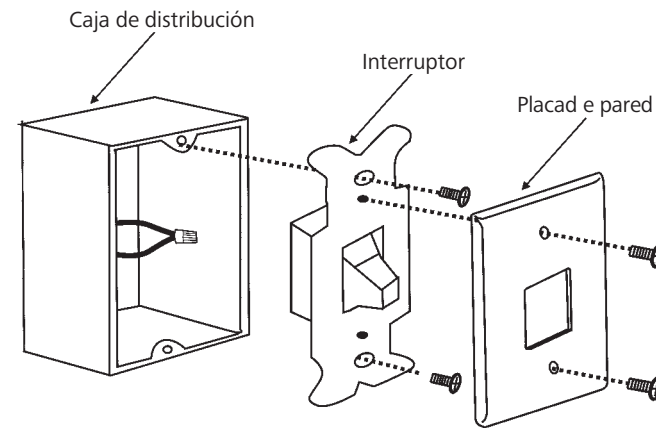


Fig. 26

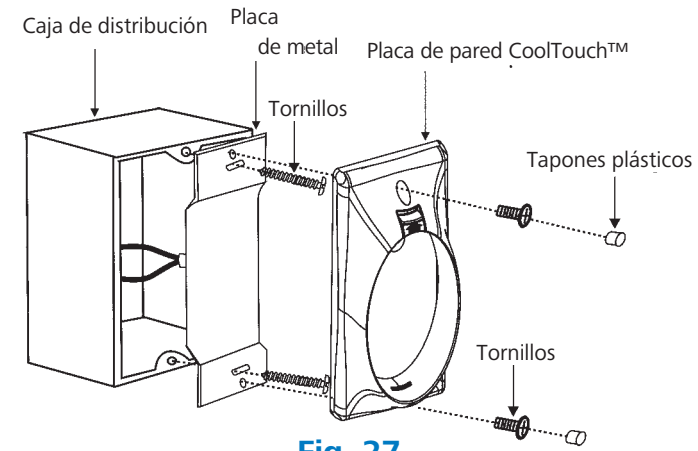


Fig. 27

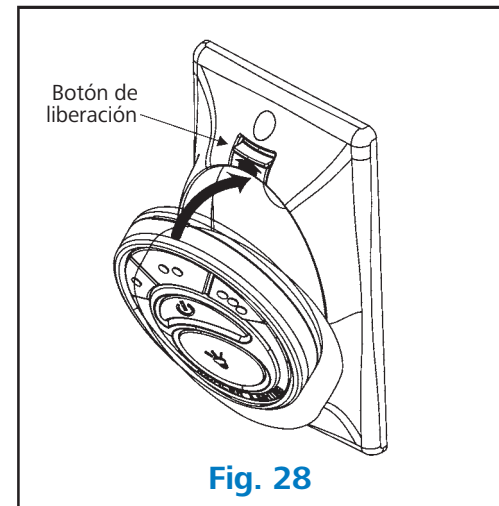


Fig. 28

18. LOCALIZACIÓN Y RESOLUCIÓN DE PROBLEMAS

Problema Solución

- El ventilador no arranca.**
1. Controle el funcionamiento de los fusibles de circuito o los disyuntores.
 2. Verifique todas las conexiones eléctricas para asegurar el debido contacto. **PRECAUCIÓN:** Asegúrese de que la corriente principal esté DESCONECTADA al verificar cualquier conexión eléctrica.
 3. Asegúrese de que las baterías del transmisor estén correctamente instaladas. El signo positivo (+) debe mirar hacia afuera.
 4. Asegúrese de que las baterías estén lo suficientemente cargadas.

- El ventilador hace mucho ruido.**
1. Asegúrese de que todos los tornillos de la caja del motor estén ajustados.
 2. Asegúrese de que los tornillos que sujetan los soportes de las aspas del ventilador al motor estén ajustados.
 3. Asegúrese de que las conexiones empalmadas con conectores no se rocen entre sí o contra la pared interna de la caja de interruptores. **PRECAUCIÓN:** Asegúrese de que la corriente principal esté desconectada.
 4. Se requiere un lapso de "adaptación" de 24 horas. La mayoría de los ruidos asociadas con un nuevo ventilador desaparecen en este lapso.
 5. Si se utiliza un kit de iluminación opcional, asegúrese de que los tornillos que sujetan las piezas de vidrio estén ajustados. Asegúrese de que las bombillas de luz no estén tocando ningún otro componente.
 6. No conecte el ventilador a un control o controles de velocidad variable de pared. No son compatibles con los motores de los ventiladores de techo o los controles remotos.
 7. Asegúrese de que la cubierta superior esté cerca del techo. No debe tocar el techo.

- El ventilador tambalea.**
1. Verifique que todos los tornillos de las aspas y de los brazos de las aspas estén ajustados.
 2. La mayoría de los problemas de tambaleo de los ventiladores son provocados por la desigualdad de los niveles de las aspas. Verifique este nivel seleccionando un punto en el techo por encima del extremo de una de las aspas. Mida esta distancia. Haga girar el ventilador hasta posicionar la siguiente aspa para su medición. Repita con cada aspa. La desviación de la distancia debe ser igual dentro de 1/8".

3. Utilice el kit de balanceo de las aspas si el tambaleo aún puede apreciarse.
4. Si el tambaleo de las aspas aún puede apreciarse, el intercambio de dos aspas adyacentes (una junto a la otra) permite redistribuir el peso y posiblemente resulte en un mejor funcionamiento.
5. **ADVERTENCIA:** PARA REDUCIR EL RIESGO DE LESIONES PERSONALES Y ASEGURAR EL BUEN FUNCIONAMIENTO DEL VENTILADOR DE TECHO, NO ACOPLE NUNCA LOS ENSAMBLAJES DE ASPAS HASTA QUE EL VENTILADOR SE HAYA INSTALADO EN EL CIELORRASO. NO CURVE LOS BRAZOS DE LAS ASPAS DURANTE LA INSTALACIÓN, EL BALANCEO O LA LIMPIEZA DEL VENTILADOR. NO INSERTE OBJETOS EN EL RECORRIDO DE LAS ASPAS.

Mal funcionamiento del control remoto

1. Los ventiladores de techo NO pueden hacerse funcionar junto con ningún otro sistema

de control SALVO un interruptor de pared básico On/Off, si así se desea.

2. Asegúrese de que los interruptores DIP de frecuencia del transmisor y el receptor tenga la misma configuración.
3. Asegúrese de que la antena negra del receptor NO esté enredada con ningún otro cable eléctrico y que esté extendida alrededor del interior de la cubierta para cielorraso.

19. ESPECIFICACIONES

Tamaño del ventilador	Velocidad	Voltios	Amperes	Voltios	RPM	CFM	CFM/W	N.W.	G.W.	C.F.
52"	Alta	120	0.60	71.4	186	6233	87.30	11.28 kgs	12.28 kgs	2.88'
	Media	120	0.48	32.9	121	4176	126.93			
	Baja	120	0.32	11.4	60	2145	188.16			

Estas medidas son aproximadas. No incluyen datos de ninguna lámpara o artefacto acoplados al ventilador de techo.

KICHLER®

www.kichler.com

KICHLER® LIGHTING

7711 EAST PLEASANT VALLEY ROAD P.O. BOX 318010

CLEVELAND, OHIO 44131-8010

SERVICIO DE ATENCIÓN AL CLIENTE 866.558.5706

8:30 AM A 5:00 PM HORA DEL ESTE, DE LUNES A VIERNES