



Motu™

330010



Includes Wall Control

Instruction Manual

KICHLER®

UL Model #330010xxx

1. SAFETY RULES (READ AND SAVE THESE INSTRUCTIONS)

1. To reduce the risk of electric shock, insure electricity has been turned off at the circuit breaker or fuse box before beginning.
2. All wiring must be in accordance with the National Electrical Code and local electrical codes. Electrical installation should be performed by a qualified licensed electrician.
3. **WARNING: To Reduce The Risk Of Fire Or Electric Shock, Do Not Use This Fan With Any Solid-State Speed Control Device.** Only use the remote control provided by ceiling fan manufacturer.
4. **WARNING: To reduce the risk of personal injury, use only the two steel screws (and lock washers) provided with the outlet box for mounting to the outlet box. Most outlet boxes commonly used for the support of lighting fixtures are not acceptable for fan support and may need to be replaced, consult a qualified electrician if in doubt.**
5. The outlet box and support structure must be securely mounted and capable of reliably supporting a minimum of 50 pounds. Use only CUL Listed outlet boxes marked "FOR FAN SUPPORT".
6. The fan must be mounted with a minimum of 10 feet clearance from the trailing edge of the blades to the floor.
7. Avoid placing objects in the path of the blades.
8. To avoid personal injury or damage to the fan and other items, be cautious when working around or cleaning the fan.
9. Do not use water or detergents when cleaning the fan or fan blades. A dry dust cloth or lightly dampened cloth will be suitable for most cleaning.
10. After marking electrical connections, spliced conductors should be turned upward and pushed carefully up into outlet box. The wires should be spread apart with the grounded conductor and the equipment-grounding conductor on one side of the outlet box.
11. Electrical diagrams are reference only. Light Kits that are not packed with the fan must be CUL Listed and marked suitable for use with the model fan you are installing. Switches must be CUL General Use Switches. Refer to the Instructions packaged with the light kits and switches for proper assembly.

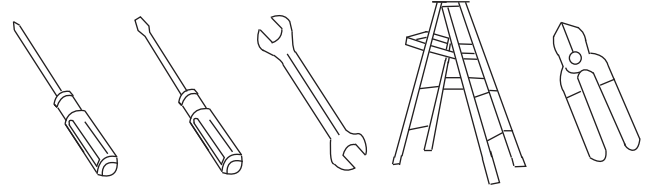
12. Suitable for commercial or industrial use.

WARNING
TO REDUCE THE RISK OF FIRE,
ELECTRIC SHOCK OR PERSONAL INJURY,
MOUNT FAN TO OUTLET BOX MARKED
"ACCEPTABLE FOR FAN SUPPORT"

WARNING
TO REDUCE THE RISK OF PERSONAL
INJURY, DO NOT BEND THE BLADE
BRACKETS (ALSO REFERRED TO AS
FLANGES) DURING ASSEMBLY OR AFTER
INSTALLATION. DO NOT INSERT OBJECTS
IN THE PATH OF THE BLADES.

2. TOOLS AND MATERIALS REQUIRED

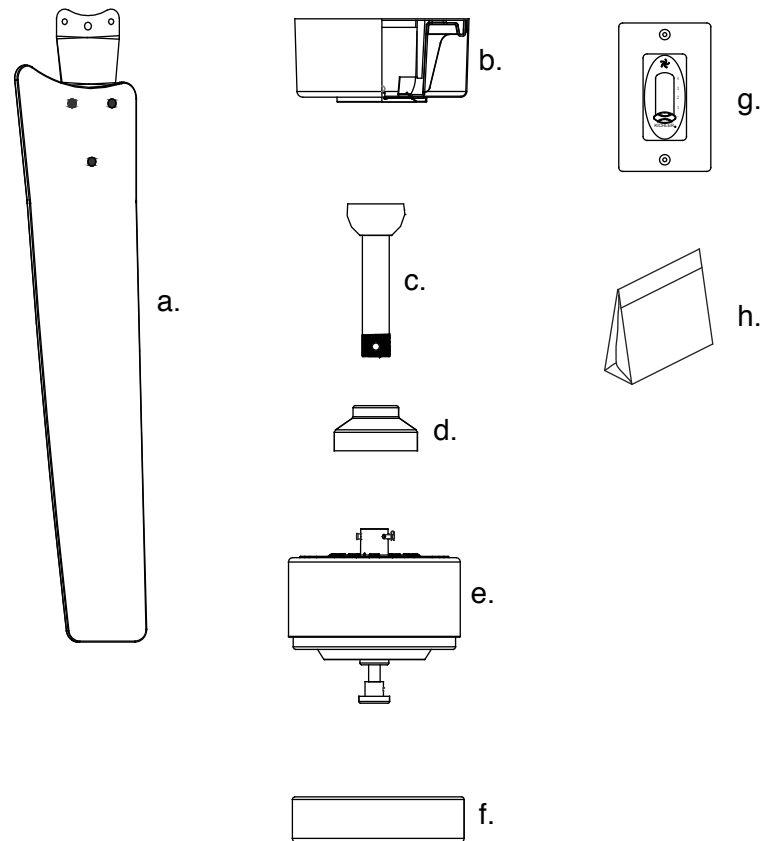
- Phillips screw driver
- Blade screw driver
- 11mm wrench
- Step ladder
- Wire cutters



3. PACKAGE CONTENTS

Unpack your fan and check the contents.
You should have the following items:

- Fan blade/blade arm assemblies (3)
- Ceiling mounting bracket, Canopy and Canopy bottom cover
- Ball/downrod assembly
- Coupling cover
- Fan motor assembly
- Fan bottom cap
- Wall transmitter
- Parts bag contents:
 - Mounting hardware:
Star washers (2), wire nuts (3),
machine screws (2), washers (2),
wood screws (2)
 - Blade attachment hardware screws (7)
 - Safety cable hardware:
wood screw, lock washer, flat washer
 - Decorative nut



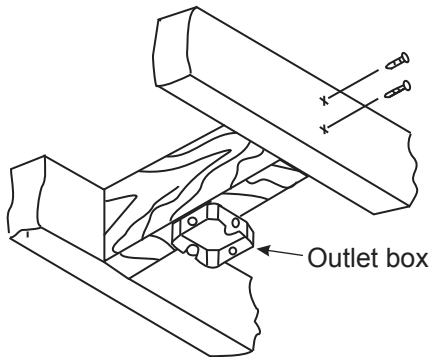


Fig. 1

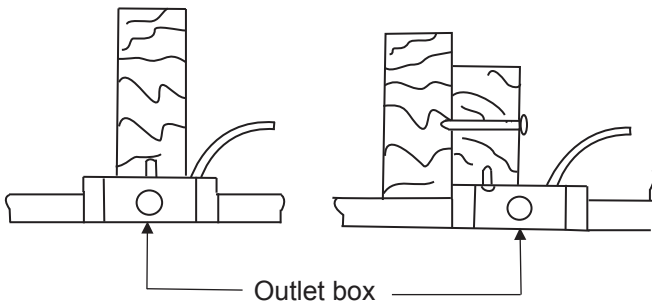


Fig. 2

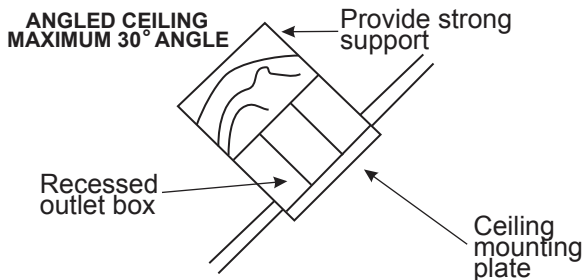


Fig. 3

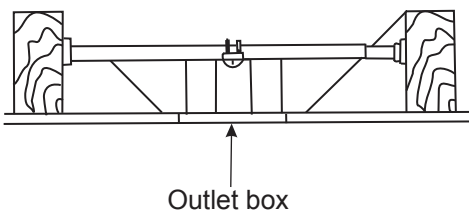


Fig. 4

4. MOUNTING OPTIONS

If there isn't an existing UL (cUL for Canadian Installation) listed mounting box, then read the following instructions. Disconnect the power by removing fuses or turning off circuit breakers.

Secure the outlet box directly to the building structure. Use appropriate fasteners and building materials. The outlet box and its support must be able to fully support the moving weight of the fan (at least 50 lbs). Do not use plastic outlet boxes.

Figures 1, 2, and 3 are examples of different ways to mount the outlet box.

NOTE: If you are installing the ceiling fan on a sloped (vaulted) ceiling, you may need a longer downrod to maintain proper clearance between the tip of the blade and the ceiling. A minimum clearance of 12" is suggested for optimal operation.

NOTE: Depending on the location you have selected for installation, you may need to purchase and install a "Joist Hanger" for the support of the outlet box. Make sure the joist hanger you purchase has been designed for use with ceiling fans. (Fig. 4)

5. HANGING THE FAN

REMEMBER to turn off the power before you begin.

To properly install your ceiling fan, follow the steps below.

Step 1. Remove the decorative canopy bottom cover from the canopy by turning the cover counterclockwise. (Fig. 5)

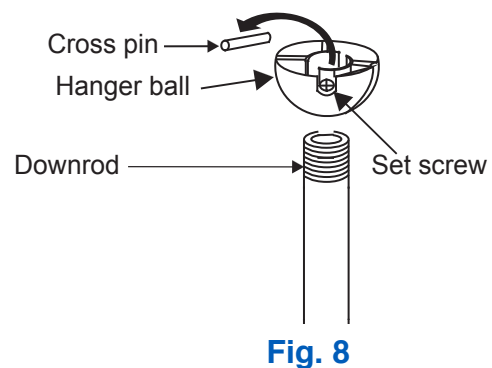
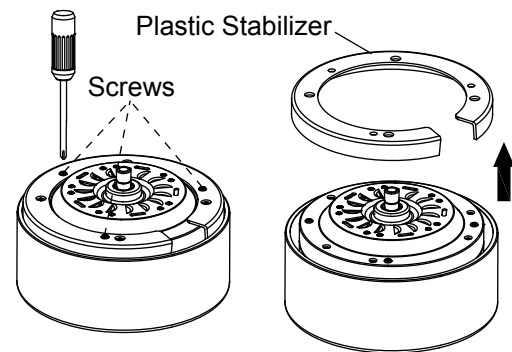
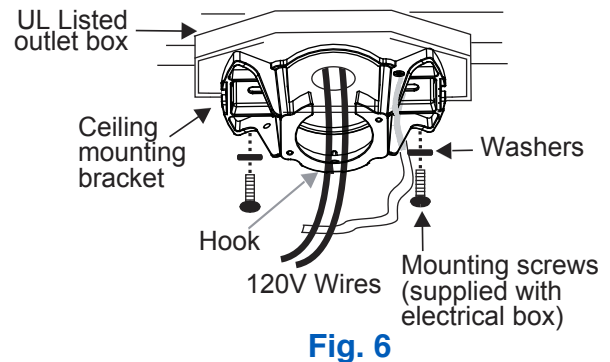
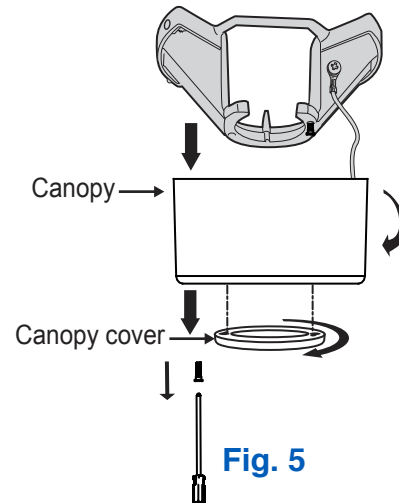
Step 2. Remove the ceiling mounting bracket from the canopy by removing (and save) one of the two screws. Loosen the remaining screw by a half turn. (Fig. 5)

Step 3. Pass the 120 volt supply wires from the ceiling outlet box through the center of the ceiling mounting bracket. (Fig. 6)

Step 4. Attach the ceiling mounting bracket to the outlet box using the screws and washers included with the outlet box. (Fig. 6)

Step 5. Remove and discard the three screws securing the plastic stabilizer on the bottom of motor housing. Remove and discard the plastic stabilizer. (Fig. 7)

Step 6. Remove the hanger ball from the downrod assembly by loosening the setscrew, removing the cross pin and turning the ball off the downrod. (Fig.8)



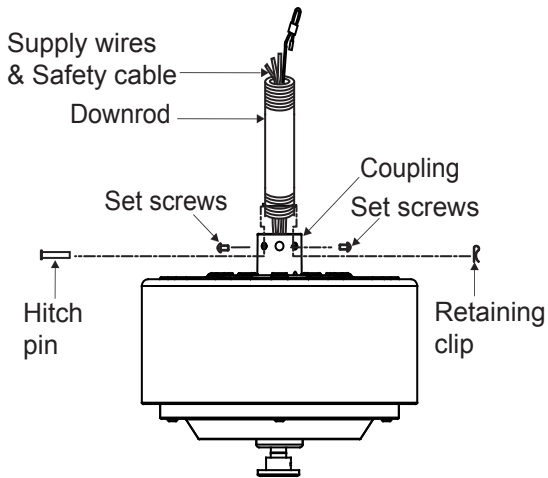


Fig. 9

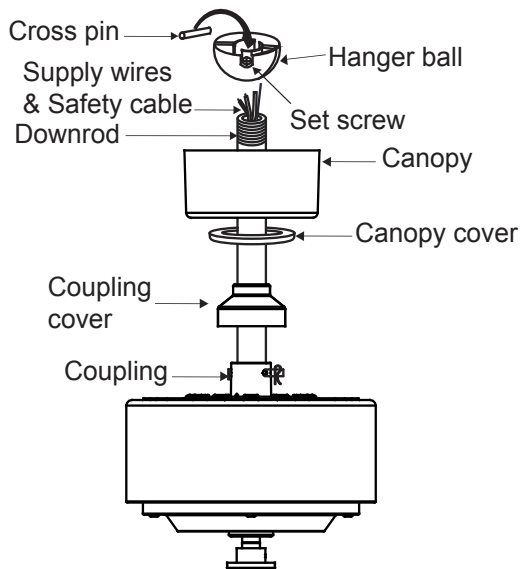


Fig. 10

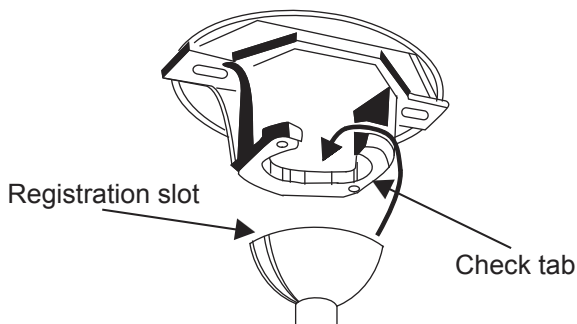


Fig. 11

Step 7. Loosen the two setscrews and remove the hitch pin and retaining clip from the coupling on top of the motor assembly. (Fig. 9)

Step 8. Carefully route the electrical supply wires and safety cable exiting the top of the fan motor assembly through the downrod. Thread the downrod into the coupling until the hitch pin holes are aligned. (Fig. 9)

Next, replace the hitch pin and retaining clip. Tighten both setscrews. (Fig. 9)

Step 9. Slip the coupling cover, canopy cover and canopy onto the downrod. (Fig. 10)

Thread the hanger ball onto the downrod, insert the cross pin through the downrod and tighten. Now tighten the set screw. (Fig. 10)

Step 10. Lift the motor assembly into position and place the hanger ball into the ceiling mounting bracket.

Rotate the entire assembly until the “Check Tab” has dropped into the “Registration Slot” and seats firmly. (Fig. 11)

The entire motor assembly should not rotate (left or right) when seated properly.

WARNING: Failure to reattach the cross pin and seat the “Check Tab” can cause the fan to fall from the ceiling during operation. Take special care to make sure this pin is reattached.

6. INSTALLATION OF SAFETY SUPPORT (Required for Canadian installation ONLY)

A safety support cable is provided to help prevent the ceiling fan from falling, please install it as follows.

Step 1. Attach the provided wood screw and washers to the ceiling joist next to the mounting bracket but do not tighten. (Fig. 12)

Step 2. Adjust the length of the safety cable to reach the screw and washers by pulling the extra cable through the cable clamp until the overall length is correct, put the end of the cable back through the cable clamp, forming a loop at the end of the cable. Tighten the cable clamp securely. Now, put the loop in the end of the safety cable over the wood screw securely.

NOTE: Although the safety support cable is required for Canadian installations only. It's a good idea to make the attachment with any installation.

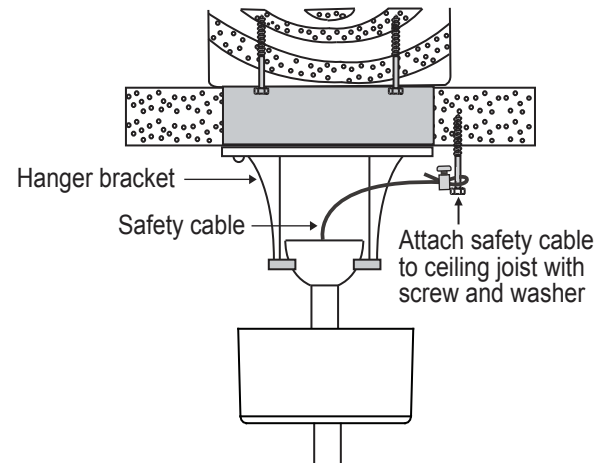


Fig. 12

7. ELECTRICAL CONNECTIONS

WARNING: To avoid possible electrical shock, be sure you have turned off the power at the main circuit panel.

Follow the steps below to connect the fan to your household wiring. Use the wire connecting nuts supplied with your fan. Secure the connectors with electrical tape. Make sure there are no loose wire strands or connections.

Step 1. Connect the fan supply wire (black) to the black household supply wire. (Fig. 13)

Step 2. Connect the neutral fan supply wire (white) to the neutral household wire (white).

Step 3. Connect the fan ground wire (green) to the household ground wire.

Step 4. After connecting the wires, spread them apart so that the green and white wires are on one side of the outlet box and the black wires are on the other side.

Step 5. Turn the connecting nuts upward and push the wiring into the outlet box.

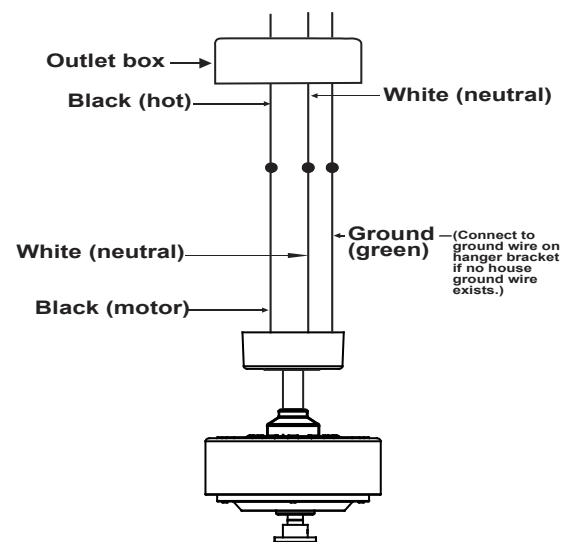


Fig. 13

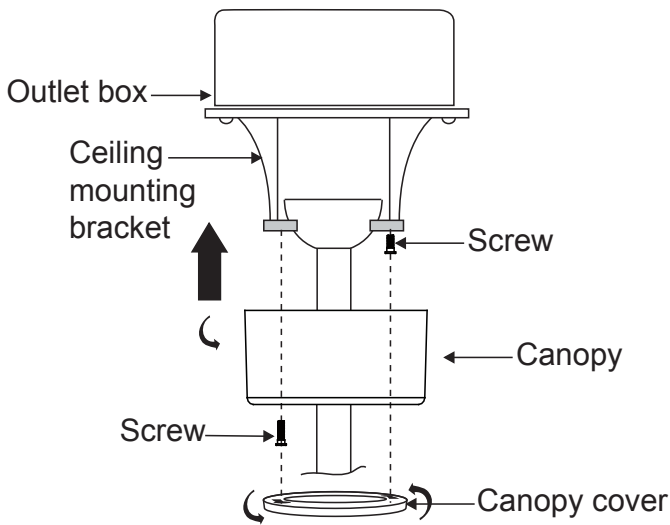


Fig. 14

8. FINISHING THE INSTALLATION

Step 1. Tuck all the connections neatly into the ceiling outlet box.

Step 2. Slide the canopy up to the mounting bracket and place one of the key hole slots over the mounting screw on the mounting bracket. Rotate the canopy until the screw head locks in place at the narrow section of the key hole. (Fig. 14)

Step 3. Align the remaining circular hole on the canopy with the remaining hole on the Ceiling Mounting Bracket. Insert and tighten the mounting screw from step 2 above. Now, attach the canopy cover to the mounting screw head by inserting the screw heads into the bottom side of the canopy cover and rotating the cover clockwise.

NOTE: Adjust the canopy screws as necessary until the canopy and canopy cover are snug. (Fig. 14)

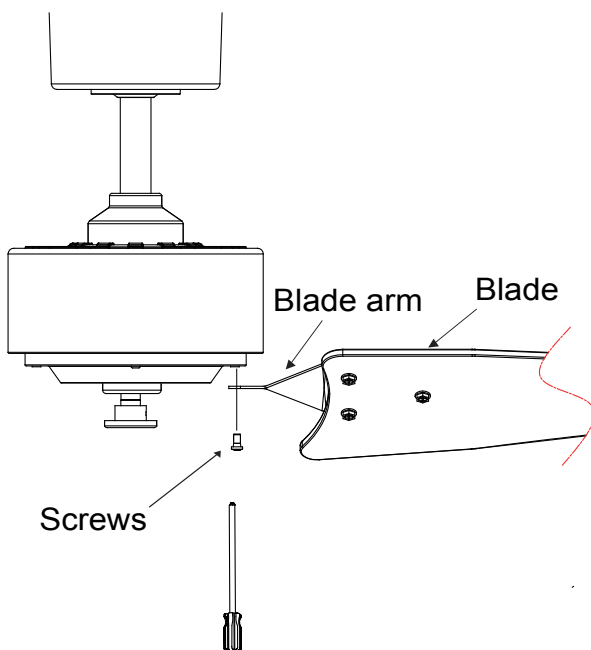


Fig. 15

9. ATTACHING THE FAN BLADE/ BLADE ARM ASSEMBLIES

Attach each blade assembly to the motor by using two mounting screws for each blade assembly. (Fig. 15)

NOTE: Make sure these mounting screws are securely tightened.

10. INSTALLING THE BOTTOM CAP

Step 1. Remove and save the two pre-attached screws on the mounting ring attached to the motor shaft. (Fig. 16)

Step 2. Push up the bottom cap to the mounting ring and align the holes on the bottom cap and mounting ring.

Step 3. Secure the bottom cap by installing the two screws removed in the first step and tighten them.

Step 4. Install the decorative nut by screwing it into the shaft. (Fig. 17)

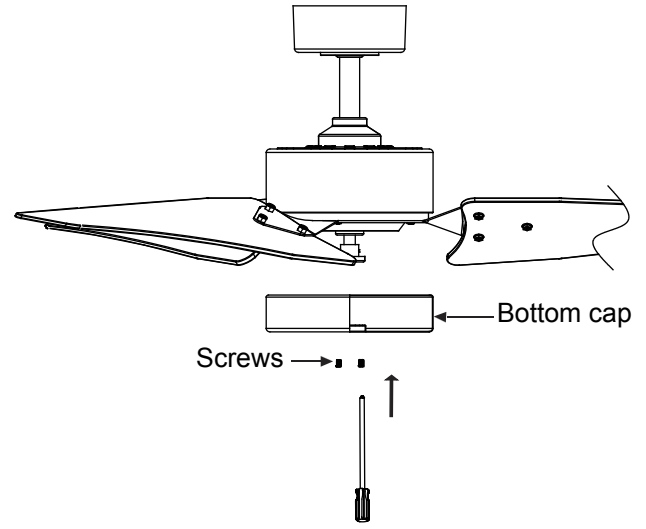


Fig. 16

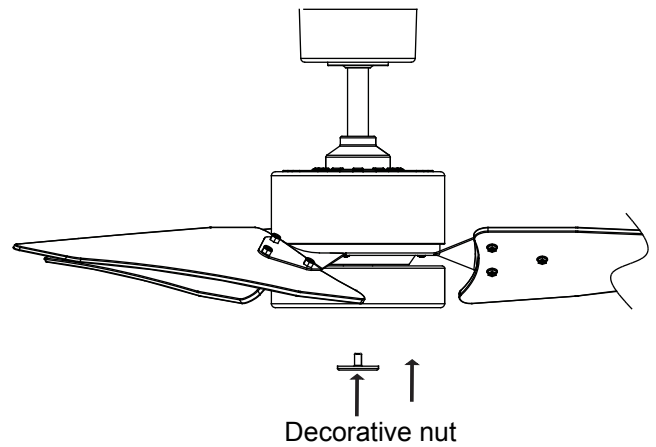


Fig. 17

11. OPERATING INSTRUCTIONS

-	=	Power Off
1	=	High Speed
2	=	Medium-High Speed
3	=	Medium-Low Speed
4	=	Low Speed

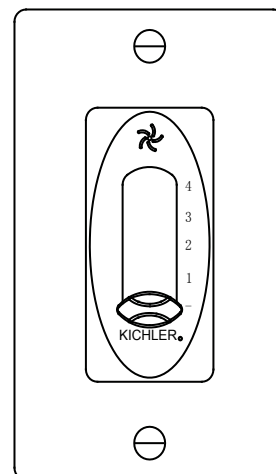


Fig. 18

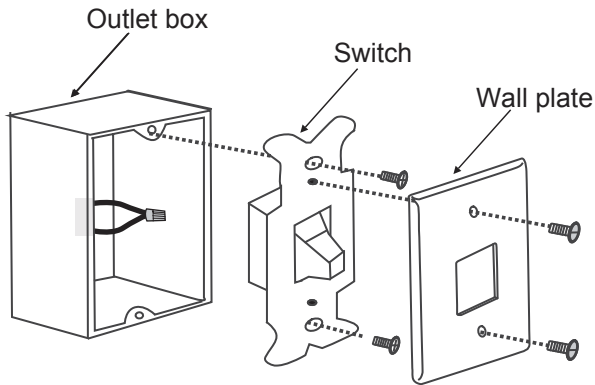


Fig. 19

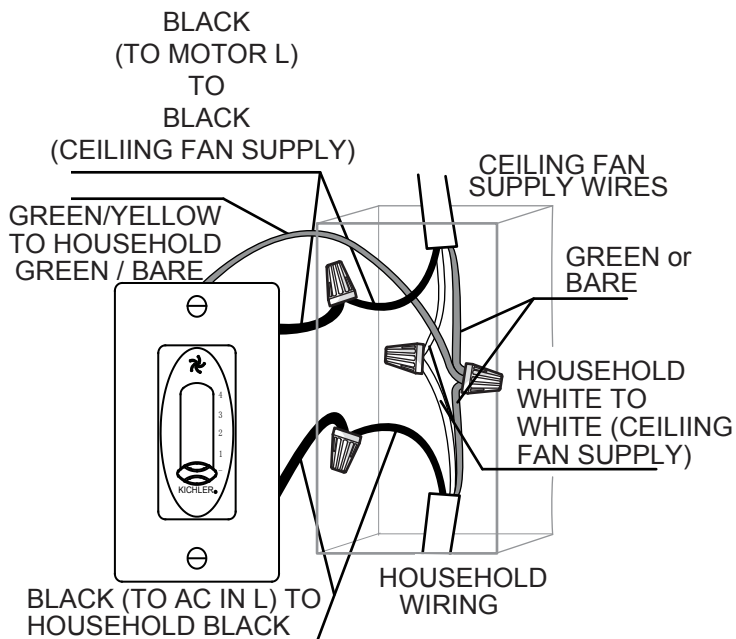


Fig. 20

12. INSTALLING THE BASIC FUNCTION WALL CONTROL SYSTEM WALL PLATE

Select a location to install the Basic Function Wall Control System Transmitter and Wall Plate.

Install the wall plate using an existing wall switch outlet box. Make sure the electrical power is **TURNED OFF** at the main panel before continuing.

Step 1. Remove the existing wall plate and the old switch from the wall outlet box. (Fig. 19)

Step 2. Connect the green/yellow wire from wall control to the green or bare wires in the outlet box, secure with the wire nut. (Fig. 20)

Step 3. Connect the household white wire to the white wire to the ceiling fan, secure with a wire nut. (Fig. 20)

Step 4. Connect the household black wire to the black wire marked "TO POWER SUPPLY", secure with a wire nut.

Step 5. Connect the household black wire to the black wire marked "TO FAN", secure with a wire nut. (Fig. 20)

Step 6. Separate the black wires from the white and green wires. Turn the green and white wires into the outlet box. (Fig. 20)

Step 7. Turn the black wires into the outlet box. (Fig. 20)

Step 8. Install the wall plate on the existing wall outlet box using the screws provided. (Fig. 21)

After installing the wall anchors, attach the wall plate with the mounting screws to finish the installation.

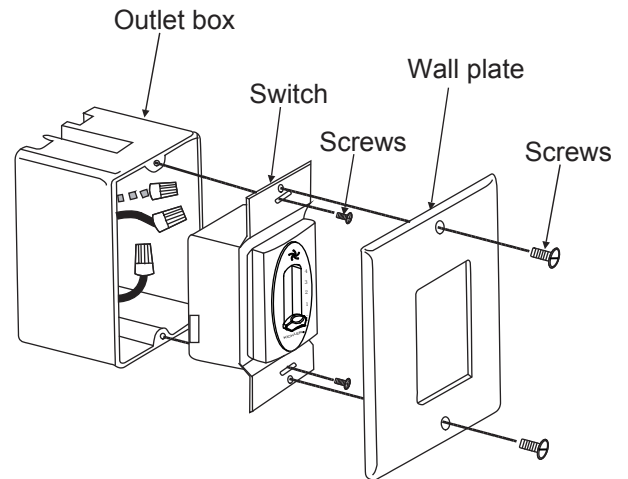


Fig. 21

13. OPERATING INSTRUCTIONS

Warm weather operation only:

Forward (counter clockwise)

A downward airflow creates a cooling effect. This allows you to set your air conditioner on a warmer setting without affecting your general comfort.

(Fig. 22)

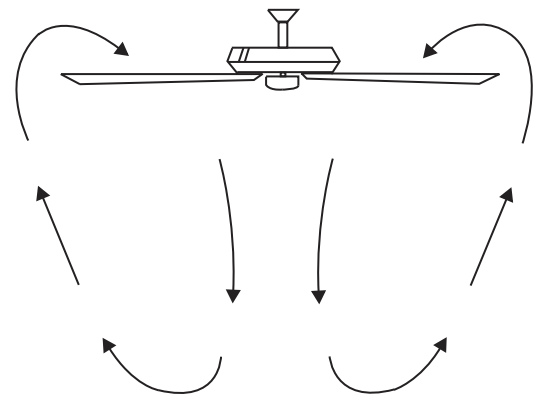


Fig. 22

14. TROUBLESHOOTING

Problem	Solution
Fan will not start.	<ol style="list-style-type: none"> 1. Check circuit fuses or breakers. 2. Check all electrical connections to insure proper contact. CAUTION: Make sure the main power is OFF when checking any electrical connection. 3. Make sure the transmitter batteries are installed properly. Positive (+) side facing out. 4. Insure the batteries have a good charge.
Fan sounds noisy.	<ol style="list-style-type: none"> 1. Make sure all motor housing screws are snug. 2. Make sure the screws that attach the fan blade brackets to the motor are tight. 3. Make sure wire nut connections are not rubbing against each other or the interior wall of the switch housing. CAUTION: Make sure main power is off. 4. Allow a 24-hour "breaking-in period. Most noise associated with a new fan disappears during this time. 5. If using an optional light kit, make sure the screws securing the glassware are tight. Make sure the light bulbs are not touching any other component. 6. Do not connect this fan to wall mounted variable speed control(s). They are not compatible with ceiling fan motors or remote controls. 7. Make sure the upper canopy is a short distance from the ceiling. It should not touch the ceiling.
Fan wobbles.	<ol style="list-style-type: none"> 1. Check that all blade and blade arm screws are secure. 2. Most fan wobbling problems are caused when blade levels are unequal. Check this level by selecting a point on the ceiling above the tip of one of the blades. Measure this distance. Rotate the fan until the next blade is positioned for measurement. Repeat for each blade. The distance deviation should be equal within 1/8". 3. Use the enclosed Blade Balancing Kit if the blade wobble is still noticeable. 4. If the blade wobble is still noticeable, interchanging two adjacent (side by side) blades can redistribute the weight and possibly result in smoother operation.
Remote control malfunction.	<ol style="list-style-type: none"> 1. Ceiling fans with remote control systems CAN NOT be operated in conjunction with any other control system EXCEPT a basic On/Off wall switch, if desired. 2. Make sure the frequency dip switches in the transmitter and receiver have identical settings. 3. Make sure the Black Antenna on the receiver is NOT tangled with any other electrical wires and is extended around the inside of the ceiling canopy.

18. SPECIFICATIONS

Fan size	Speed	Volts	Amps	Watts	RPM	CFM	CFM/W	N.W.	G.W.	C.F.
60"	High	120	0.84	99.5	245	11891	120	10.9 kgs	12.5 kgs	2.43'
	Medium-High		0.57	44.7	155	7129	160			
	Medium-Low		0.38	19.7	85	4217	214			
	Low		0.26	8.6	55	1828	212			

These are approximate measurements. They do not include data for any lamps or fixtures attached to the ceiling fan.

KICHLER®

Kichler® Lighting
7711 East Pleasant Valley Road
P.O. Box 318010
Cleveland, Ohio 44131-8010

Customer Service
866.558.5706
8:30 AM to 5:00 PM EST,
Monday - Friday



Motu™

330010



Comprend une commande murale

Guide d'instructions

KICHLER®

Modèle UL n° 330010xxx

1. CONSIGNES DE SÉCURITÉ (LISEZ ET CONSERVEZ CES INSTRUCTIONS)

1. Pour réduire les risques d'électrocution, s'assurer que le courant est coupé au niveau de la boîte de disjoncteurs ou de fusibles avant de procéder à l'installation.
2. Tout le câblage doit être conforme aux codes électriques locaux et au Code électrique national. L'installation électrique doit être effectuée par un électricien qualifié accrédité.
3. **AVERTISSEMENT** : Pour réduire les risques d'incendie ou d'électrocution, n'utilisez ce ventilateur avec aucun appareil de réglage de vitesse transistorisé. Utilisez uniquement la télécommande fournie par le fabricant du ventilateur de plafond.
4. **AVERTISSEMENT** : Pour réduire les risques de blessures, n'utilisez que les deux vis en acier (et rondelles de blocage) fournies avec la boîte de sortie de courant pour l'installation de la boîte de sortie de courant. La plupart des boîtes de sortie de courant utilisées normalement pour le support de luminaires ne sont pas capables de supporter un ventilateur et ont besoin d'être remplacées; veuillez consulter un électricien qualifié en cas de doute.
5. La boîte de sortie de courant et la structure doivent être solidement fixées et capables de supporter un minimum de 23 kg (50 lb) de façon sûre. Utilisez uniquement des boîtes de sortie de courant homologuées CUL, conçues « POUR SUPPORTER UN VENTILATEUR ».
6. Le ventilateur doit être installé avec une distance minimale de 3,05 m (10 pi) entre le bord de fuite des pales et le sol.
7. Ne placez pas d'objets dans la trajectoire des pales.
8. Pour éviter les blessures ou éviter d'endommager le ventilateur ou d'autres objets, faites preuve de prudence en travaillant près du ventilateur ou en le nettoyant.
9. N'utilisez ni eau ni détergents pour nettoyer le ventilateur ou les pales du ventilateur. Un chiffon à poussière ou un linge légèrement humide conviennent en général pour le nettoyage.
10. Après avoir effectué les branchements électriques, retournez les conducteurs épissés vers le haut et insérez-les soigneusement dans la boîte de sortie de courant. Les fils doivent être écartés de façon à ce que le conducteur mis à la terre et le conducteur de mise à la terre de l'équipement soient du même côté de la boîte de sortie de courant.
11. Les schémas électriques sont fournis à titre indicatif seulement. Les luminaires qui ne sont pas compris avec le ventilateur doivent être homologués CUL et porter une mention spécifiant qu'ils peuvent être utilisés avec ce type de ventilateur. Les interrupteurs doivent être homologués CUL pour usage général. Consultez les instructions fournies avec les luminaires et les interrupteurs pour un assemblage approprié.
12. Convient à une utilisation commerciale ou industrielle.

AVERTISSEMENT

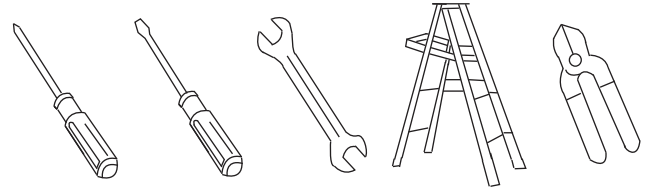
POUR RÉDUIRE LES RISQUES D'INCENDIE, D'ÉLECTROCUTION OU DE BLESSURE, INSTALLEZ LE VENTILATEUR SUR UNE BOÎTE DE SORTIE DE COURANT PORTANT LA MENTION « CAPABLE DE SUPPORTER UN VENTILATEUR »

AVERTISSEMENT

POUR RÉDUIRE LES RISQUES DE BLESSURE, NE PLIEZ PAS LES SUPPORTS DE PALE (AUSSI APPELÉS BRIDES) PENDANT L'ASSEMBLAGE OU APRÈS L'INSTALLATION. NE PLACEZ PAS D'OBJETS DANS LA TRAJECTOIRE DES PALES.

2. OUTILS ET ÉQUIPEMENT REQUIS

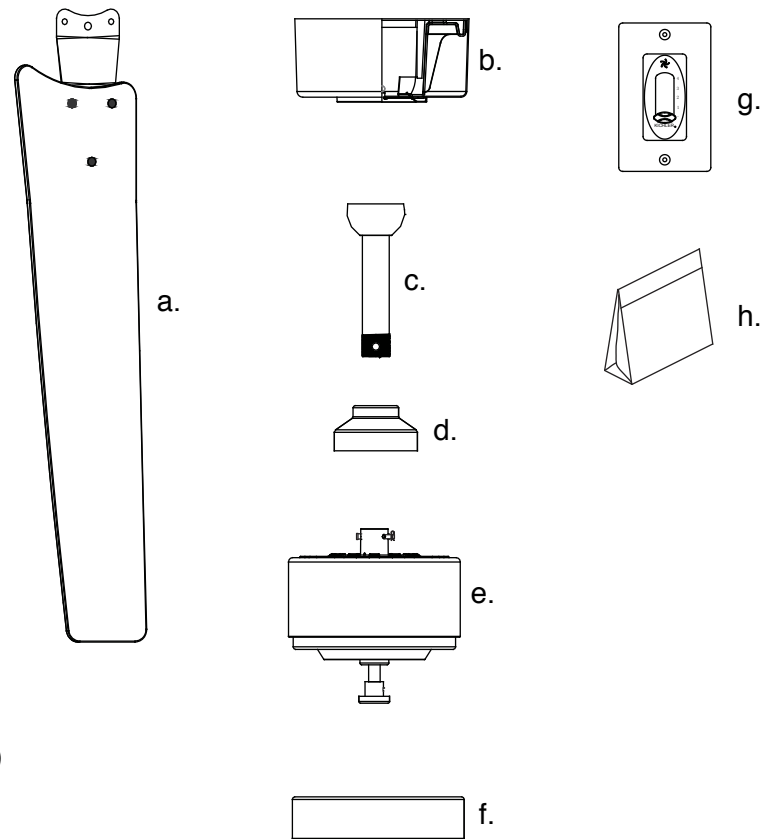
- Tournevis cruciforme
- Tournevis plat
- Clé de 11 mm
- Escabeau
- Coupe-fils



3. CONTENU DE L'EMBALLAGE

Déballez votre ventilateur et vérifiez le contenu de l'emballage. Les articles suivants devraient s'y trouver :

- Pale de ventilateur/supports de pales (3)
- Support de montage au plafond, monture et couvercle inférieur de la monture
- Ensemble boule/tige de suspension
- Couvercle d'accouplement
- Moteur du ventilateur
- Capuchon inférieur du ventilateur
- Transmetteur mural
- Contenu du sac de pièces :
 - Quincaillerie de montage : Rondelles en étoile (2), capuchons de connexion (3), vis mécaniques (2), rondelles (2), vis à bois (2)
 - Vis de quincaillerie de fixation des pales (7)
 - Quincaillerie pour câble de sécurité : vis à bois, rondelle de blocage, rondelle plate
 - Écrou décoratif



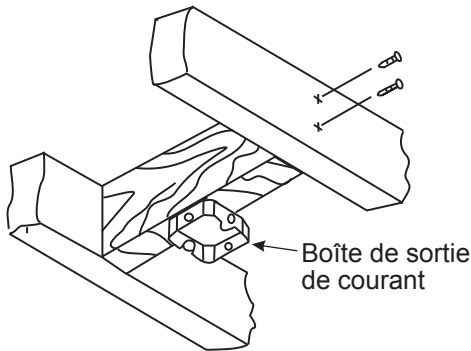


Fig. 1

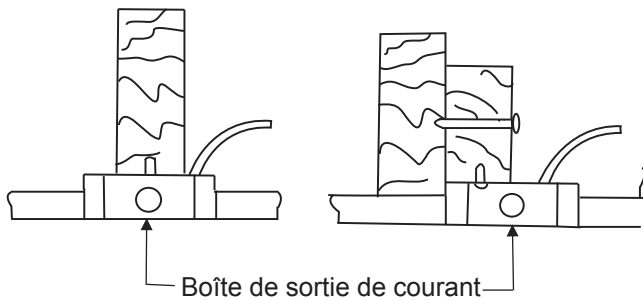


Fig. 2

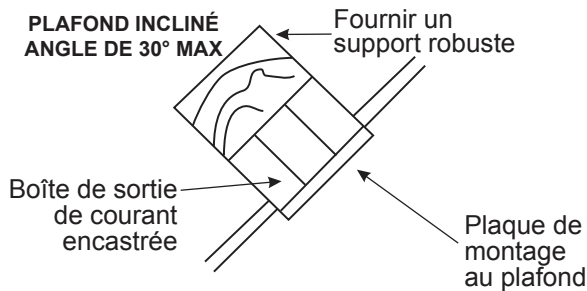


Fig. 3

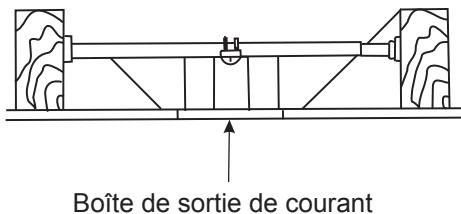


Fig. 4

4. OPTIONS D'INSTALLATION

Si une boîte de sortie de courant homologuée UL (cUL pour les installations au Canada) n'est pas déjà installée, lire les instructions suivantes. Couper l'alimentation en retirant les fusibles ou en déclenchant les disjoncteurs.

Fixer la boîte de sortie de courant directement à la structure du bâtiment. Utiliser les pièces de fixation et les matériaux de construction appropriés. La boîte de sortie de courant et son support doivent être en mesure de supporter le plein poids du ventilateur en mouvement, soit au moins 23 kg (50 lb). Ne pas utiliser une boîte de sortie de courant en plastique.

Les Figures 1, 2 et 3 montrent des exemples des différentes façons d'installer la boîte de sortie de courant.

REMARQUE : Si vous installez le ventilateur de plafond sur un plafond incliné (en voûte), il se peut que vous ayez besoin d'une tige de suspension plus longue pour maintenir un dégagement adéquat entre le bout de la pale et le plafond. Un dégagement minimum de 30,48 cm (12 po) est suggéré pour un fonctionnement optimal.

REMARQUE : Selon l'emplacement choisi pour l'installation, il se peut que vous ayez besoin d'acheter et installer un « étrier à solive » pour soutenir la boîte de sortie de courant. Assurez-vous que l'étrier à solive que vous achetez est conçu pour une utilisation avec les ventilateurs de plafond. (Fig. 4)

5. SUSPENSION DU VENTILATEUR

N'OUBLIEZ PAS de couper l'alimentation électrique avant de commencer.

Pour installer correctement votre ventilateur de plafond, suivez les étapes suivantes.

Étape 1. Retirez le couvercle décoratif inférieur de la monture en le tournant dans le sens inverse des aiguilles d'une montre. (Fig. 5)

Étape 2. Retirez le support de montage au plafond de la monture en retirant (et conservant) l'une des deux vis. Desserrez la vis restante d'un demi tour. (Fig. 5)

Étape 3. Faites passer les fils d'alimentation de 120 volts par le centre du support de montage au plafond. (Fig. 6)

Étape 4. Fixez le support de montage au plafond sur la boîte de sortie de courant à l'aide des vis et rondelles fournies avec la boîte de sortie de courant. (Fig. 6)

Étape 5. Retirez et jetez les trois vis qui fixaient le stabilisateur en plastique au dessous du boîtier du moteur. Retirez et jetez le stabilisateur en plastique. (Fig. 7)

Étape 6. Retirez la boule de suspension de la tige de suspension en desserrant la vis de pression, retirant la contre-goupille et tournant la boule pour la retirer de la tige de suspension. (Fig. 8)

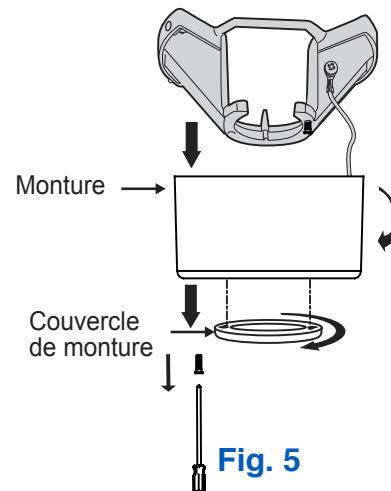


Fig. 5

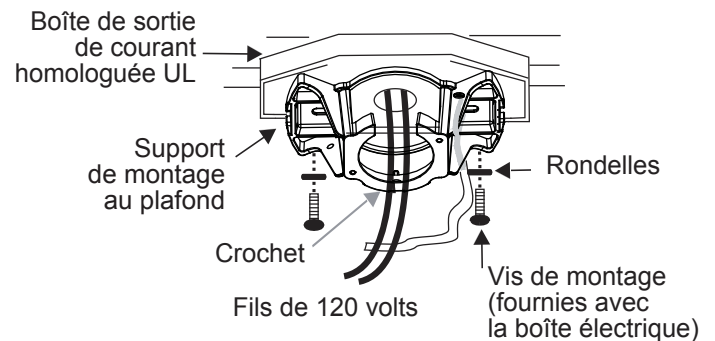


Fig. 6

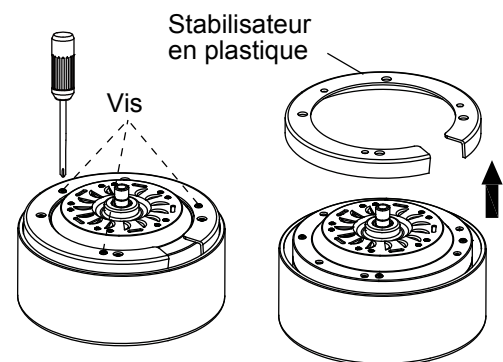


Fig. 7

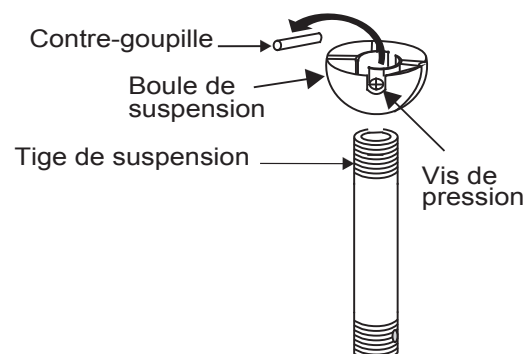


Fig. 8

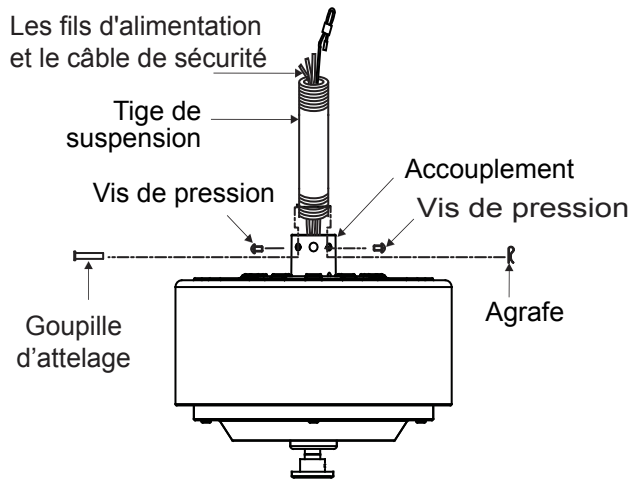


Fig. 9

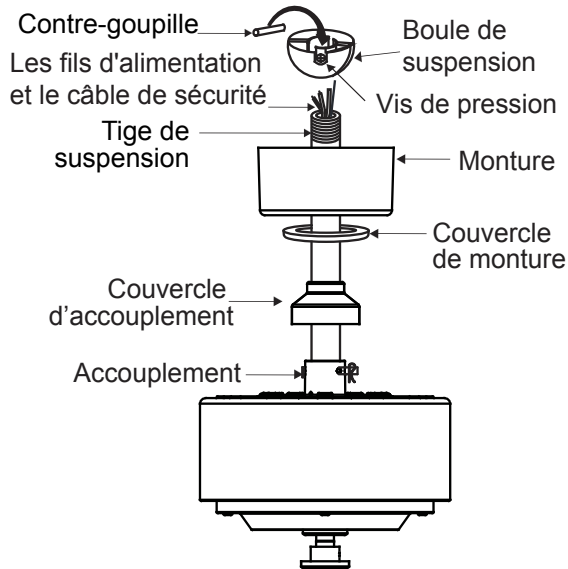


Fig. 10

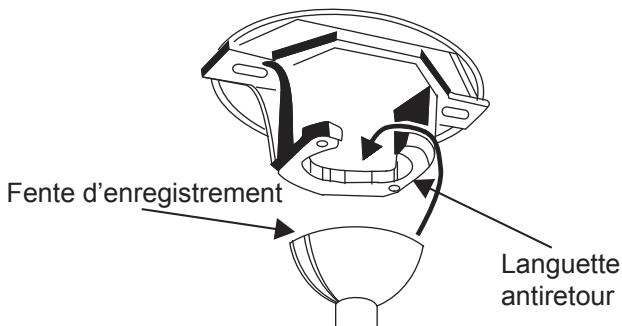


Fig. 11

Étape 7. Desserrez les deux vis de pression et retirez la goupille d'attelage et l'agrafe de l'accouplement sur le dessus du moteur. (Fig. 9)

Étape 8. Faites passer avec soin les fils d'alimentation électrique et le câble de sécurité sortant du dessus du moteur du ventilateur par la tige de suspension. Vissez la tige de suspension dans l'accouplement jusqu'à ce que les trous de la goupille d'attelage soient alignés. (Fig. 9)

Ensuite, remettez la goupille d'attelage et l'agrafe en place. Serrez les deux vis de pression. (Fig. 9)

Étape 9. Faites glisser le couvercle de l'accouplement, le couvercle de montage et la monture sur la tige de suspension. (Fig. 10)

Vissez la boule de suspension sur la tige de suspension, insérez la contre-goupille dans la tige de suspension et serrez. Serrez maintenant la vis de pression. (Fig. 10)

Étape 10. Soulevez le moteur en position et placez la boule de suspension dans le support de montage au plafond.

Tournez tout l'assemblage jusqu'à ce que la « languette antiretour » tombe dans la « fente d'enregistrement » et repose fermement. (Fig. 11)

Le moteur complet ne doit pas tourner (à gauche ou à droite) lorsqu'il est correctement en place.

AVERTISSEMENT : Manquer de rattacher la contre-goupille et placer la « languette antiretour » peut entraîner la chute du ventilateur du plafond pendant l'utilisation. Veillez particulièrement à rattacher la contre-goupille.

6. INSTALLATION DU CÂBLE DE SUPPORT DE SÉCURITÉ (requis pour les installations au Canada UNIQUEMENT)

Un câble de support de sécurité est fourni pour aider à empêcher le ventilateur de plafond de tomber; veuillez l'installer comme suit.

Étape 1. Fixez la vis à bois et rondelles fournies à la solive de plafond, à côté du support de montage mais ne serrez pas. (Fig. 12)

Étape 2. Réglez la longueur du câble de sécurité pour lui permettre d'atteindre la vis et les rondelles en tirant l'excès de câble par le serre-câble, jusqu'à ce que la longueur totale soit correcte, remettez l'extrémité du câble dans le serre-câble en formant une boucle à l'extrémité du câble. Serrez bien le serre-câble. Placez maintenant la boucle à l'extrémité du câble de sécurité fermement par dessus la vis à bois.

REMARQUE : Bien que le câble de support de sécurité soit requis pour les installations au Canada uniquement, il est recommandé d'effectuer cette fixation avec toutes les installations.

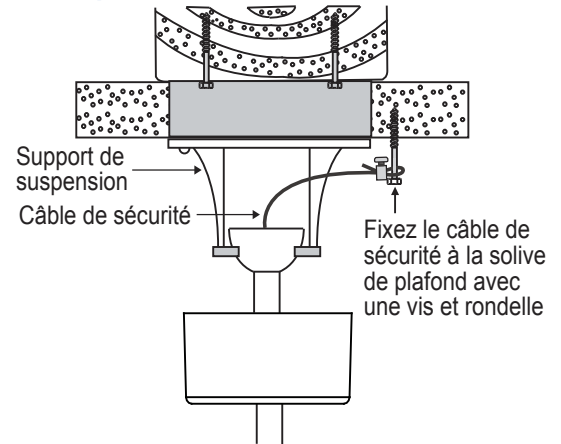


Fig. 12

7. CONNEXIONS ÉLECTRIQUES

AVERTISSEMENT : Pour éviter toute possibilité de choc électrique, veuillez à couper le courant au niveau du tableau de distribution principal.

Suivez les étapes ci-dessous pour brancher le ventilateur au câblage de la maison. Utilisez les capuchons de connexion fournis avec le ventilateur. Sécurisez ces connexions avec du ruban isolant. Assurez-vous qu'il n'y a aucun fil ou connexion desserré(e).

Étape 1. Connectez le fil d'alimentation (noir) du ventilateur au fil d'alimentation noir de la maison. (Fig. 13)

Étape 2. Connectez le fil d'alimentation neutre (blanc) du ventilateur au fil d'alimentation neutre (blanc) de la maison.

Étape 3. Connectez le fil de mise à la terre (vert) du ventilateur au fil de mise à la terre de la maison.

Étape 4. Après avoir connecté les fils, séparez-les de façon à ce que les fils verts et blancs soient d'un côté de la boîte de sortie de courant et que les fils noirs soient de l'autre côté.

Étape 5. Tournez les capuchons de connexion vers le haut et poussez les fils à l'intérieur de la boîte de sortie de courant.

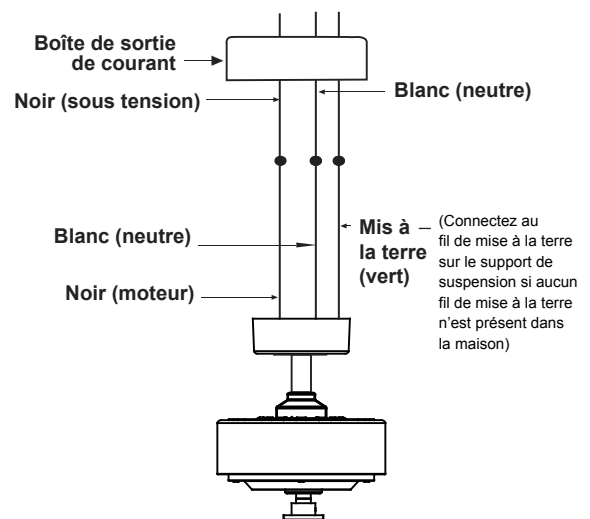


Fig. 13

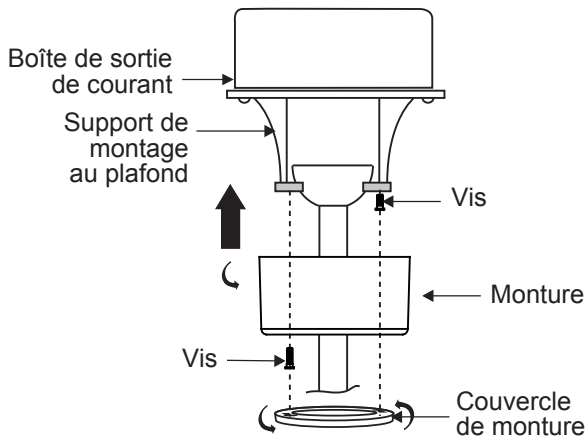


Fig. 14

8. TERMINER L'INSTALLATION

Étape 1. Insérez toutes les connexions avec soin dans la boîte de sortie de courant du plafond.

Étape 2. Faites glisser la monture vers le haut jusqu'au support de montage et placez l'une des fentes en trou de serrure par-dessus la vis de montage du support de montage. Tournez la monture jusqu'à ce que la tête de vis se verrouille en place dans la section étroite du trou de serrure. (Fig. 14)

Étape 3. Alignez le trou circulaire restant de la monture avec l'orifice restant du support de montage au plafond. Insérez et serrez la vis de montage de l'étape 2 ci-dessus. Fixez maintenant le couvercle de la monture sur la tête de vis de montage en insérant les têtes de vis dans le côté inférieur du couvercle de monture et en tournant le couvercle dans le sens des aiguilles d'une montre.

REMARQUE : Ajustez les vis de la monture au besoin jusqu'à ce que la monture et le couvercle de monture soit bien serrés. (Fig. 14)

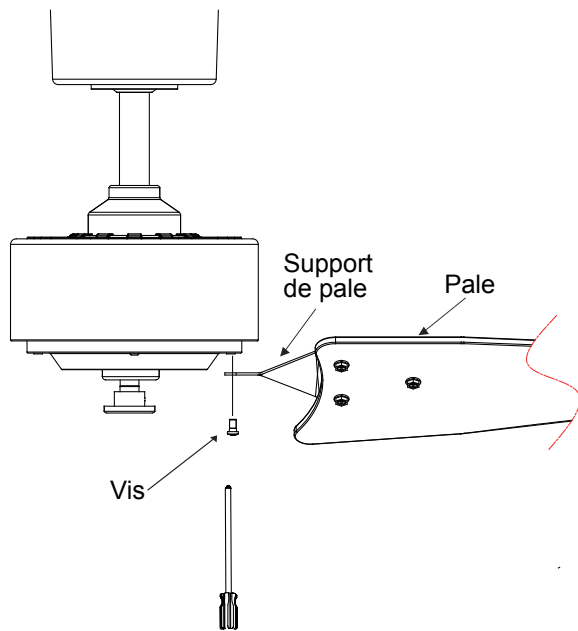


Fig. 15

9. FIXATION DES PALES DU VENTILATEUR/ SUPPORTS DE PALES

Fixez chaque pale au moteur à l'aide de deux vis de montage pour chaque pale. (Fig. 15)

REMARQUE : Assurez-vous que ces vis de montage sont bien serrées.

10. INSTALLATION DU CAPUCHON INFÉRIEUR

Étape 1. Retirez et conservez les deux vis pré-attachées de l'anneau de fixation fixé à l'arbre du moteur. (Fig. 16)

Étape 2. Poussez le capuchon inférieur vers le haut jusqu'à l'anneau de fixation et alignez les trous du capuchon inférieur et de l'anneau de fixation.

Étape 3. Fixez solidement le capuchon inférieur en installant les deux vis retirées à la première étape et en les serrant.

Étape 4. Installez l'écrou décoratif en le vissant dans l'arbre. (Fig. 17)

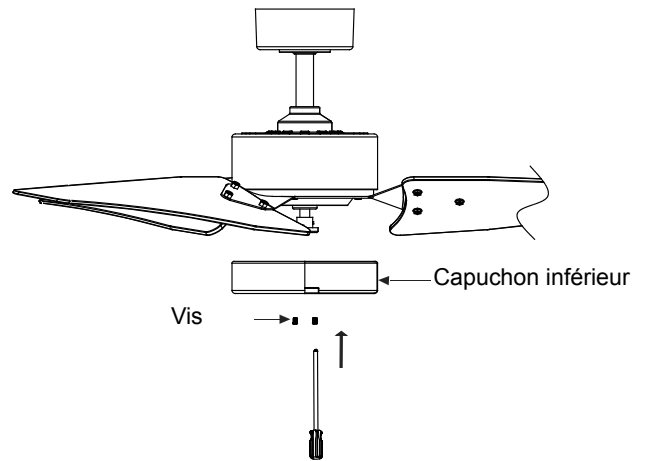


Fig. 16

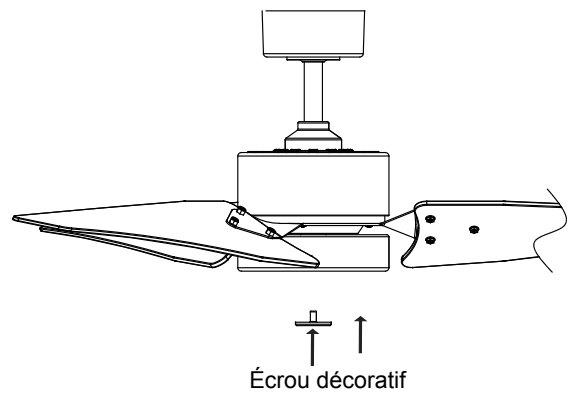


Fig. 17

11. MODE D'EMPLOI

- = Le courant est éteint
- 1 = Vitesse élevée
- 2 = Vitesse moyenne élevée
- 3 = Vitesse moyenne faible
- 4 = Vitesse faible

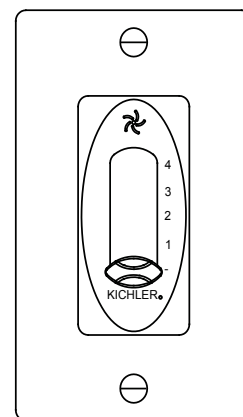


Fig. 18

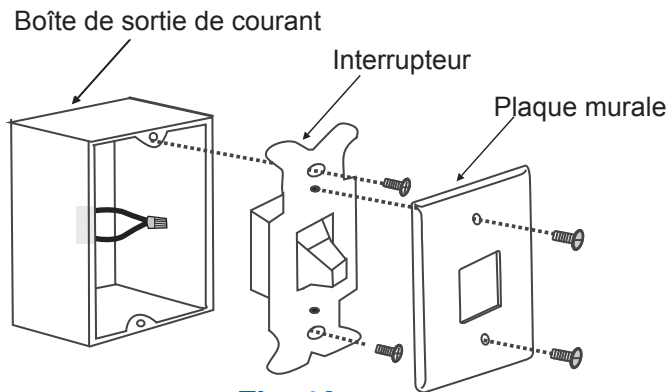


Fig. 19

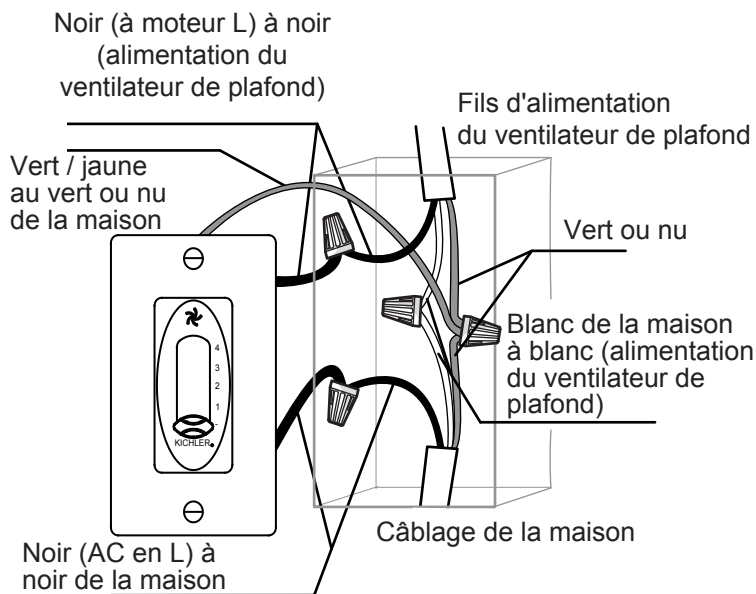


Fig. 20

12. INSTALLATION DE LA PLAQUE MURALE DU PLAQUE MURALE POUR SYSTÈME DE COMMANDE MURALE

Choisissez un emplacement pour l'installation de l'émetteur et de la plaque murale du système de commande murale des fonctions de base.

Installez la plaque murale à l'aide d'une boîte de sortie de courant à interrupteur mural existante. Assurez-vous que l'alimentation électrique est COUPÉE au tableau principal avant de continuer.

Étape 1. Retirez la plaque murale existante et l'ancien interrupteur de la boîte de sortie de courant murale. (Fig. 19)

Étape 2. Raccordez le fil vert/jaune de la commande murale aux fils vert ou nu de la boîte de sortie de courant et fixez solidement et de manière sécuritaire avec le capuchon de connexion (Fig. 20)

Étape 3. Raccordez le fil blanc de la maison au fil blanc du ventilateur de plafond, fixez solidement et de manière sécuritaire avec un capuchon de connexion. (Fig. 20)

Étape 4. Raccordez le fil noir de la maison au fil noir marqué « TO POWER SUPPLY (À L'ALIMENTATION ÉLECTRIQUE) », fixez solidement et de manière sécuritaire avec un capuchon de connexion.

Étape 5. Raccordez le fil noir de la maison au fil noir marqué « TO FAN (AU VENTILATEUR) », fixez solidement et de manière sécuritaire avec un capuchon de connexion. (Fig. 20)

Étape 6. Séparez les fils noirs des fils blanc et vert. Tournez les fils vert et blanc dans la boîte de sortie de courant. (Fig. 20)

Étape 7. Tournez les fils noirs dans la boîte de sortie de courant. (Fig. 20)

Étape 8. Installez la plaque murale sur la boîte de sortie de courant existante à l'aide des vis fournies. (Fig. 21)

Après avoir posé les chevilles murales, fixez la plaque murale avec les vis de montage pour terminer l'installation.

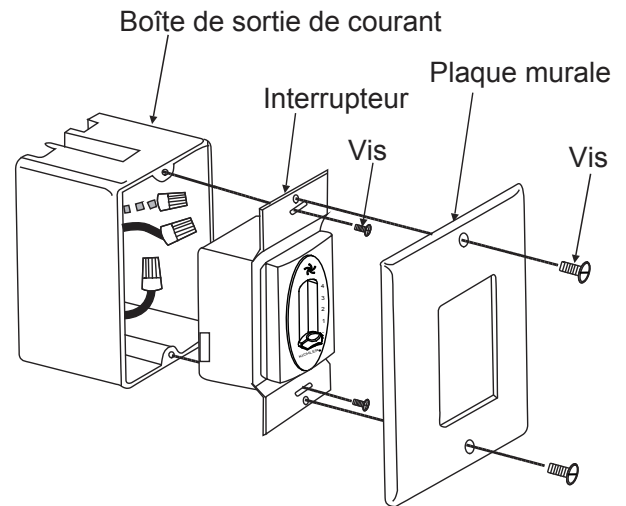


Fig. 21

13. MODE D'EMPLOI

Utilisation par temps chaud uniquement :
 Vers l'avant (sens inverse des aiguilles d'une montre)
 Un débit d'air descendant crée une sensation rafraîchissante. Ceci vous permet d'utiliser un réglage de climatisation plus chaud sans nuire à votre confort général. (Fig. 22)

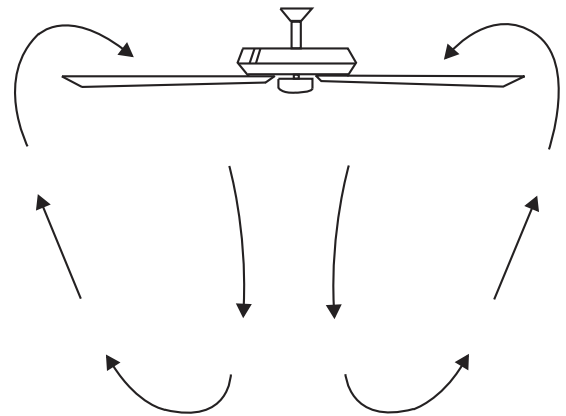


Fig. 22

14. DÉPANNAGE

Problème	Solution
Le ventilateur ne se met pas en marche.	<ol style="list-style-type: none"> Vérifiez les fusibles ou disjoncteurs. Vérifiez toutes les connexions électriques pour assurer un contact adéquat. ATTENTION : Assurez-vous que l'alimentation électrique est COUPEE lorsque vous vérifiez les connexions électriques. Assurez-vous que les piles de l'émetteur sont installées correctement. Côté positif (+) faisant face à l'extérieur. Assurez-vous que les piles sont bien chargées.
Le ventilateur est bruyant.	<ol style="list-style-type: none"> Assurez-vous que toutes les vis du boîtier du moteur sont bien serrées. Assurez-vous que les vis qui fixent les supports de pales au moteur sont bien serrées. Assurez-vous que les capuchons de connexion ne s'entrechoquent pas ou ne se battent pas contre la paroi intérieure du boîtier de l'interrupteur. ATTENTION : Assurez-vous que l'alimentation principale est coupée. Laissez passer une période de « rodage » de 24 heures. La majorité du bruit d'un ventilateur neuf disparaît au cours de cette période. Si le luminaire est utilisé, assurez-vous que les vis des abat-jour en verre sont bien serrées. Assurez-vous que les ampoules ne touchent aucun autre composant. Ne connectez pas ce ventilateur à une(des) commande(s) murale(s) à vitesse variable. Elles ne sont pas compatibles avec les moteurs ou télécommandes des ventilateurs de plafond. Assurez-vous que la monture est légèrement éloignée du plafond. Elle ne devrait pas toucher le plafond.
Le ventilateur oscille.	<ol style="list-style-type: none"> Vérifiez que les vis de toutes les pales et de tous les supports de pales sont bien vissées. La plupart des problèmes d'oscillation des ventilateurs sont causés par la hauteur inégale des pales. Vérifiez la hauteur des pales en choisissant un point au plafond, au-dessus de l'extrémité de l'une des pales. Mesurez cette distance. Faites tourner le ventilateur pour que la pale suivante soit en position pour la mesure. Répétez pour chaque pale. L'écart de distance doit être le même, à 3,17 mm (1/8 po) près. Utilisez le nécessaire d'équilibrage des pales si les pales oscillent toujours. Si vous remarquez toujours l'oscillation des pales, il est possible que l'échange réciproque de pales adjacentes (qui se côtoient) puisse redistribuer le poids et même résulter en un fonctionnement plus en douceur.
Défaillance de la télécommande.	<ol style="list-style-type: none"> Les ventilateurs de plafond équipés de systèmes à télécommande NE PEUVENT PAS être utilisés de concert avec tout autre système de commande, À L'EXCEPTION d'un interrupteur mural de base MARCHE/ARRÊT, si vous le souhaitez. Assurez-vous que les commutateurs DIP à fréquence de l'émetteur et du récepteur ont des configurations identiques. Assurez-vous que l'antenne noire du récepteur N'est PAS emmêlée avec d'autres fils électriques et s'allonge autour de l'intérieur de la monture au plafond.

18. CARACTÉRISTIQUES

Taille du ventilateur	Vitesse	Volts	Ampères	Watts	TR/MIN	PCM	PCM/W	POIDS NET	POIDS BRUT	PC
1,52 m (60 po)	Élevée	120	0,84	99,5	245	11891	120	10,9 kgs	12,5 kgs	0,068 m ³ (2,43 pi ³)
	Moyenne élevée		0,57	44,7	155	7129	160			
	Moyenne faible		0,38	19,7	85	4217	214			
	Faible		0,26	8,6	55	1828	212			

Ces mesures sont approximatives. Elles ne comprennent pas les données relatives à toutes lampes ou luminaires fixé(e)s au ventilateur de plafond.

KICHLER®

Kichler® Lighting
7711 East Pleasant Valley Road
P.O. Box 318010
Cleveland, Ohio 44131-8010

Service à la clientèle
866 558-5706
entre 8h30 et 17h, HNE,
du lundi au vendredi