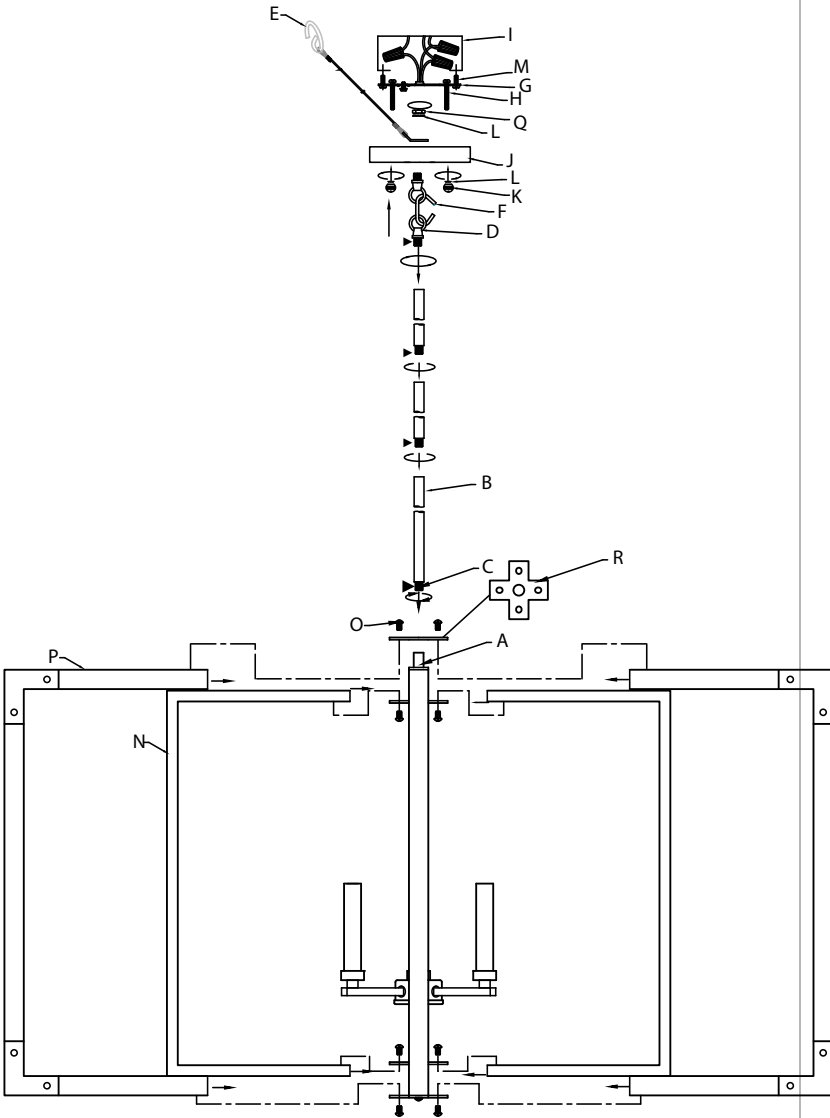


Fixture Diagram



Parts List

- | | | |
|------------------|-----------------|-----------------|
| [A] Coupling | Strap | Screws |
| [B] Stem | [H] Mounting | [N] Small Frame |
| [C] Short | Screws | Pieces |
| Threaded | [I] Outlet Box | [O] Set Screws |
| Tubes | [J] Canopy | [P] Large Frame |
| [D] First Loop | [K] Knobs | Pieces |
| [E] Safety Cable | [L] Lockwashers | [Q] Hexnut |
| [F] Chain Link | [M] Strap | [R] Cross Plate |
| [G] Mounting | Mounting | |

Cautions

CAUTION – RISK OF SHOCK –
Disconnect Power at the main circuit breaker panel or main fusebox before starting and during the installation.

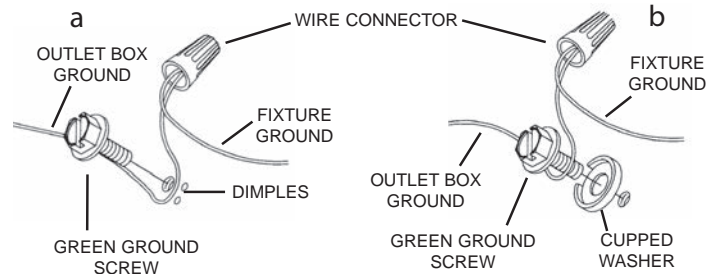
WARNING:
This fixture is intended for installation in accordance with the National Electrical Code (NEC) and all local code specifications. If you are not familiar with code requirements, installation by a certified electrician is recommended.

Installation Instructions

- 1) Pass fixture wire from the coupling[A] on top of fixture through a stem[B] and screw stem into coupling. Place the cross plate[R] over the coupler on top of the main body. NOTE: Thread locking compound must be applied to all stem threads as noted with symbol (▶) to prevent accidental rotation of fixture during cleaning, relamping, etc.
- 2) Pass fixture wire through desired amount of stems and screw stems together using supplied short threaded tubes[C].
- 3) Pass fixture wire from last stem through first loop[D]. Thread first loop onto end of last stem.
- 4) Pass fixture wire through second loop and through hole in canopy.
- 5) Slip loop of safety cable[E] over end of threaded pipe protruding from inside of canopy. Pass fixture wire

Installation Instructions (continued)

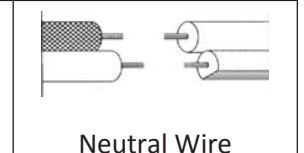
- 6) through lockwasher. Place lockwasher onto end of threaded pipe protruding from inside canopy. Pass fixture wire through hexnut[Q]. Thread hexnut onto end of threaded pipe.
 - 6) (If second loop is already attached to canopy, proceed to next step). Pass threaded pipe at end of second loop through hole in canopy. Thread lockwasher onto threaded pipe protruding from inside canopy. Pass fixture wire through hole in hexnut and thread hexnut onto end of threaded pipe.
 - 7) Attach chain link[F] to small loop at end of stem and to loop on canopy. Close the open chain link by placing a piece of cloth over the open link and gently squeeze the link closed using a pair of pliers.
 - 8) Find the appropriate threaded holes on mounting strap[G]. Assemble mounting screws[H] into threaded holes.
 - 9) Attach mounting strap to outlet box[I] using the strap mounting screws[M]. The mounting strap can be adjusted to suit position of fixture.
 - 10) Grounding instructions: (See Illus. a or b).
 - a) On fixtures where mounting strap is provided with a hole and two raised dimples, wrap ground wire from outlet box around green ground screw, and thread into hole.
 - b) On fixtures where a cupped washer is provided, attach ground wire from outlet box under cupped washer and green ground screw, then thread into mounting strap.
- If fixture is provided with ground wire, connect fixture ground wire to outlet box ground wire with wire connector (not provided.) after following the above steps. Never connect ground wire to black or white power supply wires.



- 11) Make wire connection. Reference chart below for correct connections and wire accordingly.

Connect Black or Red Supply Wire to:	Connect White Supply Wire to:
Black	White
*Parallel cord (round & smooth)	*Parallel cord (square & ridged)
Clear, Brown, Gold or Black without Tracer	Clear, Brown, Gold or Black with Tracer
Insulated wire (other than green) with copper conductor	Insulated wire (other than green) with silver conductor

*Note: When parallel wire (SPT 1 & SPT 2) are used. The neutral wire is square shaped or ridged and the other wire will be round in shape or smooth (see illus.)



- 12) Push fixture to ceiling, carefully passing mounting screws through holes in canopy[J]. NOTE: Be certain wires do not get pinched between canopy and ceiling.
- 13) Use knobs[K] and lockwashers[L] to secure canopy. Tighten to secure.
- 14) Take the two (2) small frame pieces[N] and place into the center flange as shown and secure into place using two (2) set screws[O] as shown.
- 15) Take the two (2) large frame pieces[P] and place into the center flange as shown and secure into place using two (2) set screws[O] as shown.
- 16) Insert recommended bulb(s). (Not supplied).

