

KICHLER®

HATTERAS BAY™ LED

Product images may vary slightly from actual product.



INSTRUCTION MANUAL

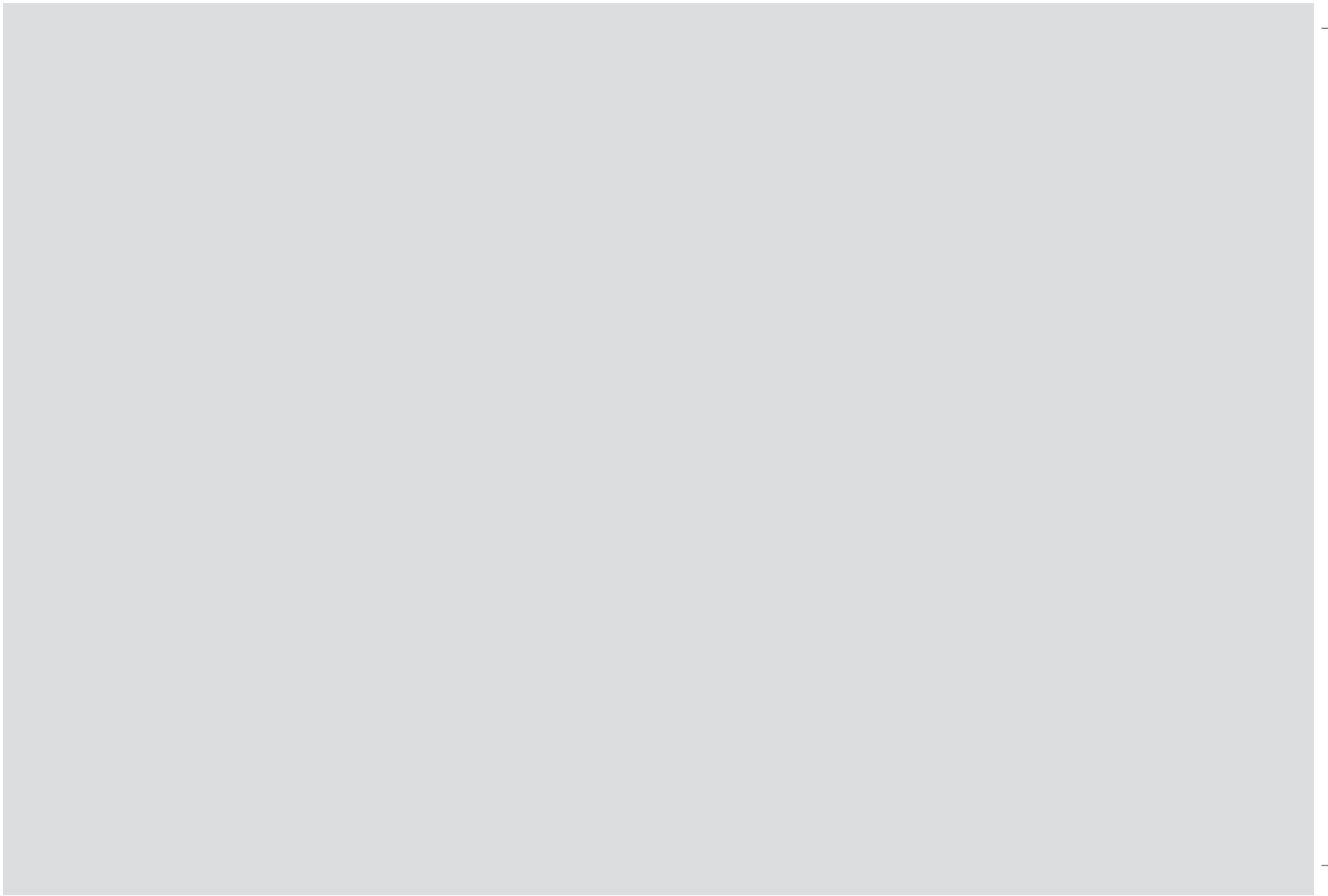


TABLE OF CONTENTS

SAFETY RULES.....	4	INSTALLING THE LIGHT PLATE AND GLASS LENS...16
TOOLS REQUIRED.....	5	INSTALLING THE BATTERIES.....17
PACKAGE CONTENTS.....	5	OPERATING INSTRUCTIONS.....17
MOUNTING OPTIONS.....	6	INSTALLING THE COOLTOUCH™ CONTROL SYSTEM WALL PLATE..... 18
HANGING THE FAN.....	7	INSTALLING THE TRANSMITTER..... 19
INSTALLATION OF SAFETY SUPPORT..... 11		OPERATING INSTRUCTIONS..... 20
ELECTRICAL CONNECTIONS..... 12		TROUBLESHOOTING..... 21
FINISHING THE INSTALLATION..... 14		SPECIFICATIONS..... 22
ATTACHING THE FAN BLADES..... 15		FCC INFORMATION..... 22
INSTALLING THE LIGHT FIXTURE..... 15		

SAFETY RULES

1. To reduce the risk of electric shock, ensure electricity has been turned off at the circuit breaker or fuse box before beginning.
2. All wiring must be in accordance with the National Electrical Code (NEC) and local electrical codes. Electrical installation should be performed by a qualified licensed electrician.
3. **WARNING:** To reduce the risk of fire, electric shock, or personal injury, use mounting screws provided with the outlet box for mounting to the outlet box. Most outlet boxes commonly used for the support of lighting fixtures are not acceptable for fan support and may need to be replaced. Due to the complexity of the installation of this fan, a qualified licensed electrician is strongly recommended.

WARNING
TO REDUCE THE RISK OF FIRE, ELECTRIC SHOCK OR
PERSONAL INJURY, MOUNT FAN TO OUTLET BOX MARKED
"ACCEPTABLE FOR FAN SUPPORT".

4. The outlet box and support structure must be securely mounted and capable of reliably supporting a minimum of 50 pounds. Use only CUL Listed outlet boxes marked "FOR FAN SUPPORT".
5. The fan must be mounted with a minimum of 7 feet clearance from the trailing edge of the blades to the floor.
6. To operate the reverse function on this fan, press the reverse button while the fan is running.
7. Avoid placing objects in the path of the blades.

8. To avoid personal injury or damage to the fan and other items, be cautious when working around or cleaning the fan.
9. Do not use water or detergents when cleaning the fan or fan blades. A dry dust cloth or lightly dampened cloth will be suitable for most cleaning.
10. After making electrical connections, spliced conductors should be turned upward and pushed carefully up into outlet box. The wires should be spread apart with the ground wire and white (common) wire to one side with the black (load) wire to the other side of the outlet box.
11. Electrical diagrams are reference only. Light kits that are not packed with the fan must be CUL Listed and marked suitable for use with the model fan you are installing. Switches must be CUL General Use Switches. Refer to the Instructions packaged with the light kits and switches for proper assembly.

WARNING
TO REDUCE THE RISK OF PERSONAL INJURY, DO NOT BEND THE
BLADE BRACKETS (ALSO REFERRED TO AS FLANGES) DURING
ASSEMBLY OR AFTER INSTALLATION. DO NOT INSERT OBJECTS IN THE
PATH OF THE BLADES.

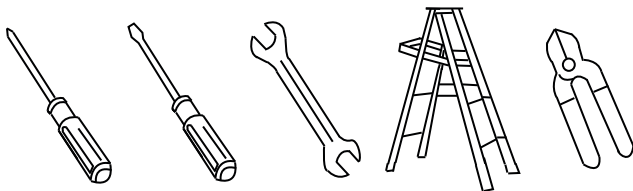
Special Notice

This appliance is equipped with a "Wattage Limiting Device" required by the United States Department of Energy. The device has been installed at the factory and can not be removed.

Installing Lamps in excess of 75 total watts will disable the unit's light fixture. If this should happen, you will need to reset the lighting fixture by turning the power off to the ceiling fan and/or light fixture, reinstalling lamps totaling less than 75 watts and then turning the power back on.

TOOLS REQUIRED

Philips screw driver
Blade screw driver
11 mm wrench
Step ladder
Wire cutters

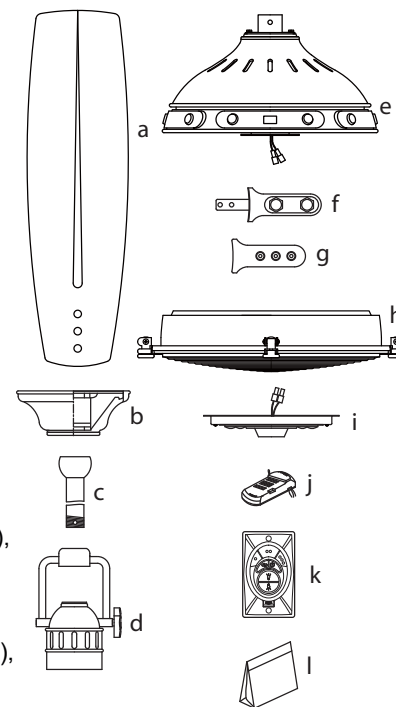


PACKAGE CONTENTS

Unpack your fan and check the contents. You should have the following items:

- a. Fan blades (5)
- b. Ceiling mounting bracket
- c. Ball/downrod assembly
- d. Coupling cover
- e. Fan motor assembly
- f. Set of blade brackets (5)
- g. Blade bracket medallions (5)
- h. Light Fixture
- i. 23W LED light kit
- j. Receiver
- k. CoolTouch™ Control System
- l. Part bag contents

- 1) Mounting hardware:
star washers (2), wire nuts (3),
machine screws (2), washers (2),
screws (2)
- 2) Rubber gasket
- 3) Blade attachment hardware:
screws (17), rubber washers (17),
- 4) Safety cable hardware: wood
screw, lock washer, flat washer
- 5) Balance Kit



MOUNTING OPTIONS

If there isn't an existing UL (cUL for Canadian Installation) listed mounting box, then read the following instructions. Disconnect the power by removing fuses or turning off circuit breakers.

Secure the outlet box directly to the building structure. Use appropriate fasteners and building materials. The outlet box and its support must be able to fully support the moving weight of the fan (at least 50 lbs). Do not use plastic outlet boxes.

Figures 1, 2 and 3 are examples of different ways to mount the outlet box.

NOTE: If you are installing the ceiling fan on a sloped (vaulted) ceiling, you may need a longer downrod to maintain proper clearance between the tip of the blade and the ceiling. A minimum clearance of 12" is suggested for optimal operation.

NOTE: Depending on the location you have selected for installation, you may need to purchase and install a "Joist Hanger" for the support of the outlet box. Make sure the joist hanger you purchase has been designed for use with ceiling fans. (Fig. 4)

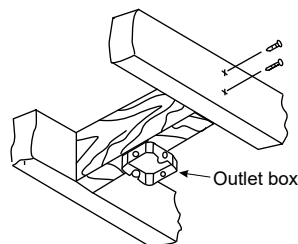


Fig. 1

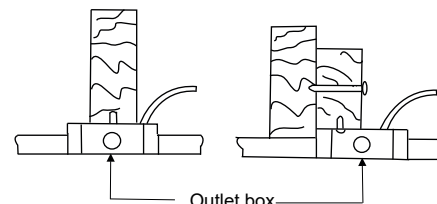


Fig. 2

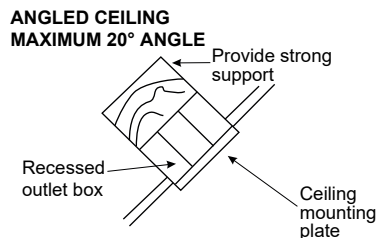


Fig. 3

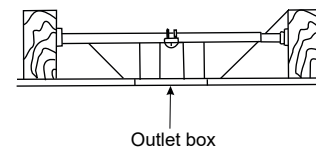


Fig. 4

HANGING THE FAN

NOTE: This ceiling fan is supplied with two types of hanging assemblies; a downrod and canopy mounting system and a "close to ceiling" Canopy ONLY system. The "close-to-ceiling" installation is recommended in rooms with less than 8-foot ceilings or in areas where additional space is desired from the floor to the fan blades. Once you have selected which mounting system you will use, proceed with the following instructions. Where necessary, each section of the instructions will note the different procedures to follow for the two types of mounting.

REMEMBER to turn off the power before you begin.
To properly install your ceiling fan, follow the steps below.

Step 1. Remove the decorative canopy bottom cover from the canopy. (**Fig. 5**)

Step 2. Remove the decorative mounting screw cover from the canopy and loosen the four screws on the top of the canopy. Remove the two non-slotted screws and loosen the slotted screws. This will enable you to remove the ceiling mounting bracket. (**Fig. 5**)

Step 3. Remove the ceiling mounting bracket from the canopy by loosening the two screws on the bottom of the ceiling mounting bracket. Turn the canopy counterclockwise and remove. (**Fig. 5**)

Step 4. Pass the 120 volt supply wires from the ceiling outlet box through the center of the ceiling mounting bracket. (**Fig. 6**)

Step 5. Attach the ceiling mounting bracket to the outlet box using the screws and washers included with the outlet box. (**Fig. 6**)

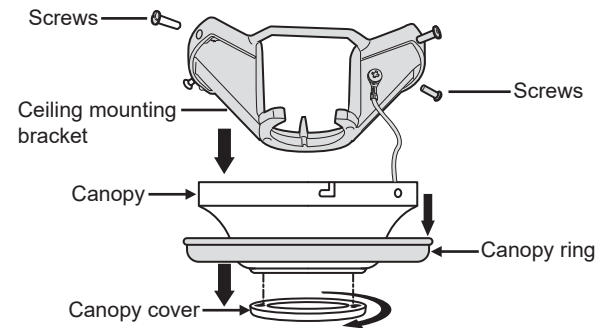


Fig. 5

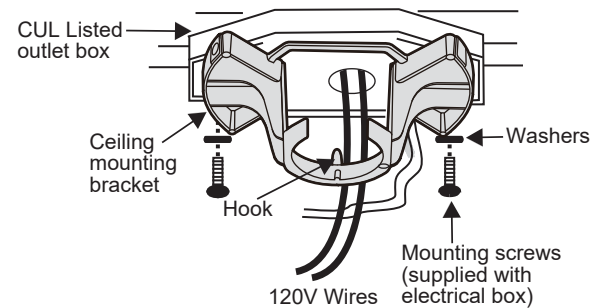


Fig. 6

STANDARD CEILING INSTALLATION

Step 1. Remove the hanger ball from the downrod assembly by loosening the set screw, removing the cross pin and sliding the ball off the rod. (Fig. 7)

Step 2. Loosen the two set screws and remove the hitch pin and retaining clip from the coupling on top of the motor assembly. (Fig. 7)

Step 3. Carefully feed the electrical lead wires from the fan up through the downrod. Thread the downrod into the coupling until the Hitch pin holes are aligned.

Next, replace the hitch pin and retaining clip. Tighten both set screws. (Fig. 7)

Step 4. Slip the coupling cover, canopy cover, decorative mounting screw cover and canopy onto the downrod.

Thread the hanger ball onto the downrod, insert the cross pin through the downrod and tighten. Now tighten the set screw. (Fig. 7)

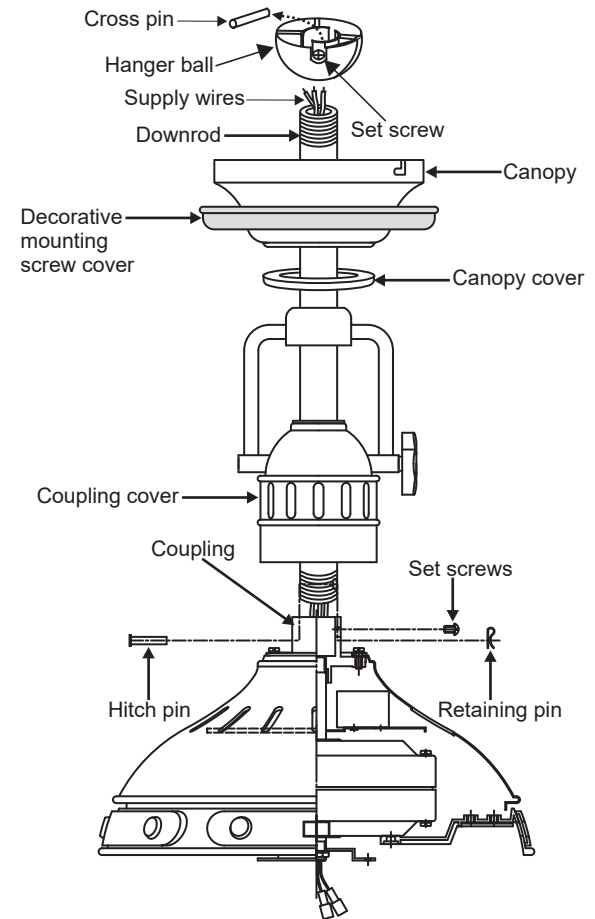


Fig. 7

STANDARD CEILING INSTALLATION (continued)

Step 5. Lift the motor assembly into position and place the hanger ball into the ceiling mounting bracket.

Rotate the entire assembly until the "Check Tab" has dropped into the "Registration Slot" and seats firmly. (**Fig. 8**)

The entire motor assembly should not rotate (left or right) when seated properly.

WARNING: Failure to properly seat the "Check Tab" can damage the ceiling fan during operation.

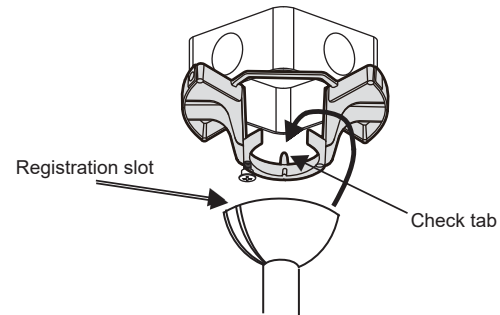


Fig. 8

CLOSE-TO-CEILING INSTALLATION

Step 1. Remove three of the six screws and lock washers (every other one) from the collar on top of the motor assembly. Place the ceiling fan canopy and rubber gasket over the collar and align the mounting holes with the holes in the collar. Attach the canopy and rubber gasket with the three screws and lock washers previously removed. (**Fig. 9**)

WARNING: Failure to completely tighten the three mounting screws in step 9 could result in the fan possibly falling from the ceiling.

Step 2. Push the decorative mounting screw cover down and off the canopy letting it rest on top of the motor housing (**Fig. 10**) and hang the fan on the ceiling mounting bracket by inserting the hook on the inside edge of the ceiling mounting bracket through one of the screw holes in the ceiling canopy (**Fig. 10**). This will allow you to have both hands free to make the wiring connections.

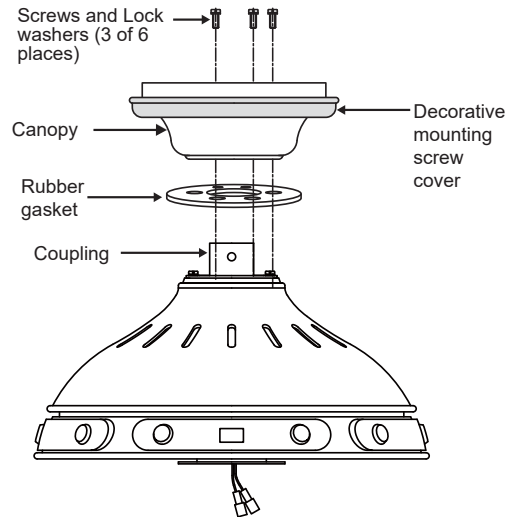


Fig. 9

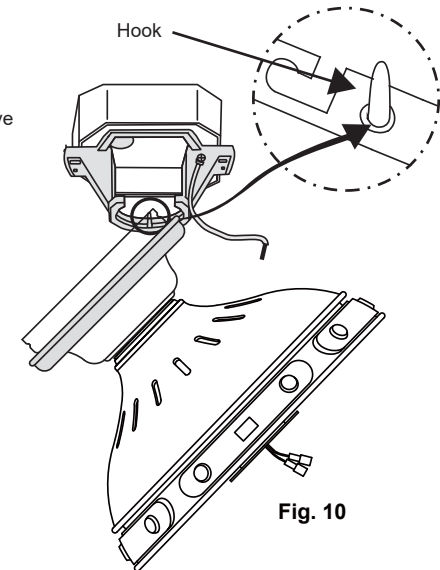


Fig. 10

INSTALLATION OF SAFETY SUPPORT

(required for Canadian installation ONLY)

A safety support cable is provided to help prevent the ceiling fan from falling, please install it as follows.

Step 1. Attach the provided wood screw and washers to the ceiling joist next to the mounting bracket but do not tighten. (**Fig. 11**)

Step 2. Adjust the length of the safety cable to reach the screw and washers by pulling the extra cable through the cable clamp until the overall length is correct, put the end of the cable back through the cable clamp, forming a loop at the end of the cable. Tighten the cable clamp securely. Now, put the loop in the end of the safety cable over the wood screw and under the washer. Tighten the wood screw securely.

NOTE: Although the safety support cable is required for Canadian installations only. It's a good idea to make the attachment with any installation.

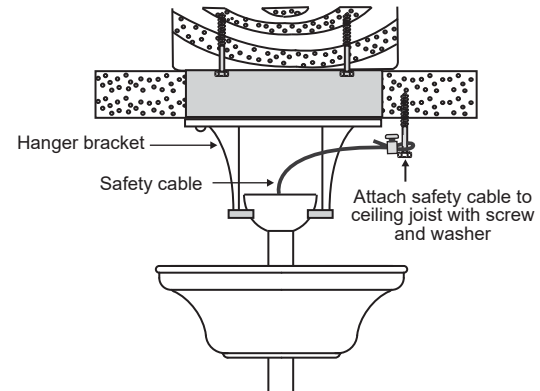


Fig. 11

ELECTRICAL CONNECTIONS

WARNING: To avoid possible electrical shock, be sure you have turned off the power at the main circuit panel.

Follow the steps below to connect the fan to your household wiring. Use the wire connecting nuts supplied with your fan. Secure the connectors with electrical tape. Make sure there are no loose wire strands or connections.

NOTE: The CoolTouch™ Control System is equipped with 16 possible frequency combinations to prevent interference from or with other remote control units. The frequency switches on your receiver and transmitter have been preset at the factory. Please recheck to make sure the switches on transmitter and receiver are set to the same position, any combination of settings will operate the fan as long as the transmitter and receiver are set to the same position. (Fig. 12)

Step 1. Insert the receiver into the ceiling mounting bracket with the flat side of the receiver facing the ceiling. (Fig. 13) For best performance, make sure the Black Antenna, on the end of the receiver, remains extended and not tangled with any of the electrical wires.

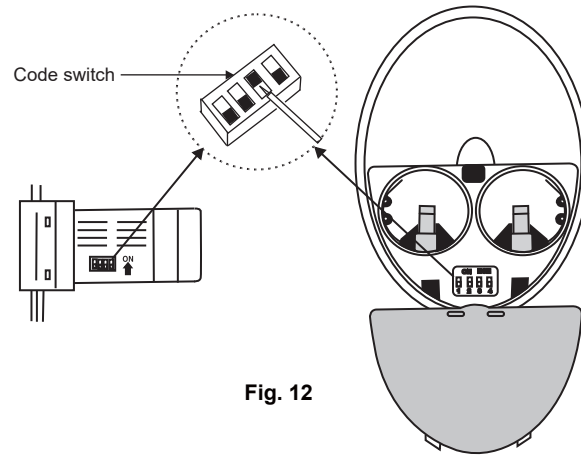


Fig. 12

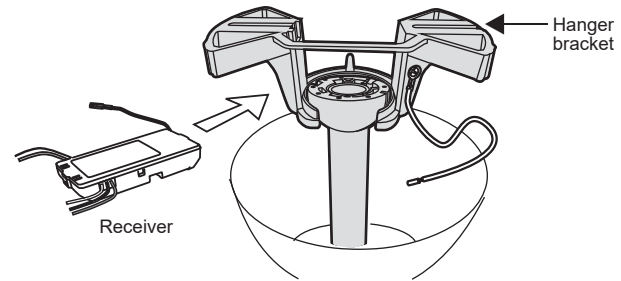


Fig. 13

ELECTRICAL CONNECTIONS (continued)

Step 2. Motor to Receiver Electrical Connections: (**Fig. 14**) Connect the black wire from the fan to the black wire marked "TO MOTOR L" on the receiver. Connect the white wire from the fan to the white wire marked "TO MOTOR N" on the receiver. Connect the blue wire from the fan to the blue wire marked "FOR LIGHT" on the receiver. Secure all the wire connections with the plastic wire nuts provided.

Step 3. (**Fig. 14**) Receiver to House Supply Wires Electrical Connections: Connect the black (hot) wire from the ceiling to the black wire marked "AC in L" from the receiver. Connect the white (neutral) wire from the ceiling to the white wire marked "AC in N" from the Receiver. Secure the wire connections with the plastic wire nuts provided.

Step 4. (**Fig. 14**) Connect the ground wire (green or bare copper) from the outlet box to the ground wire on the ceiling mounting bracket and the ground wire from the ceiling fan. After making all connections, separate the white and green wire connections to one side and the black wire connections to the other side of the outlet box.

NOTE: Fan must be installed at a maximum distance of 30 feet from the CoolTouch™ Remote Transmitter for optimal signal transmission between the transmitter and the fan's receiving unit.

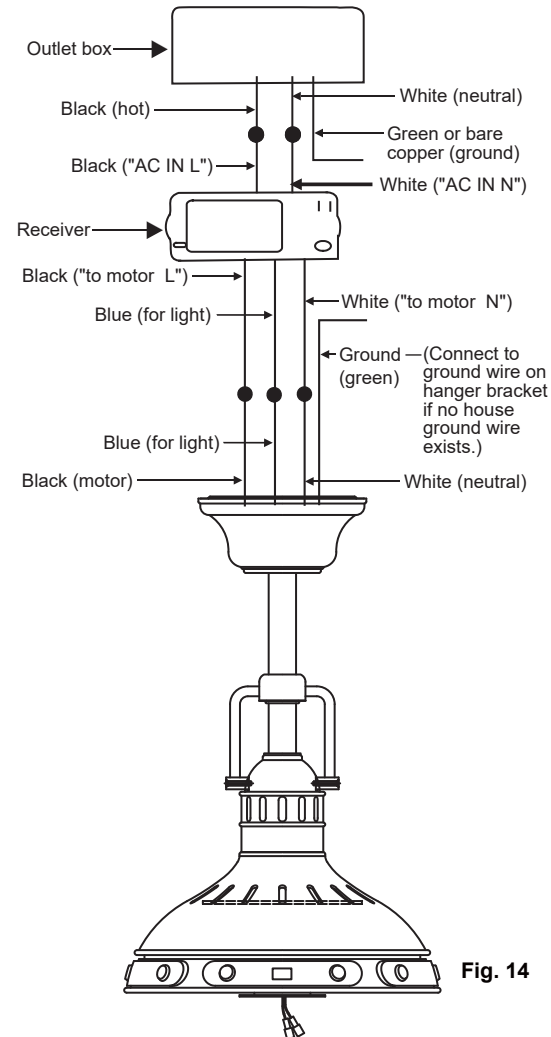


Fig. 14

FINISHING THE INSTALLATION

STANDARD CEILING INSTALLATION

Step 1. Tuck all the connections neatly into the ceiling outlet box.

Step 2. Slide the canopy up to the ceiling and attach the canopy to the ceiling mounting bracket using 4 screws at the top edge of the mounting bracket. Insert each screw through the canopy mounting hole and into the mounting bracket. Slide the canopy cover up to the canopy and rotate clockwise until tight. Tighten all screws securely. (Fig. 15)

Step 3. Slide the decorative mounting screw cover up to cover the mount screw heads.

CLOSE-TO-CEILING INSTALLATION

Remove the fan from the hook on the ceiling mounting bracket. Attach the fan assembly to the ceiling mounting bracket using 4 screws at the top edge of the canopy. Insert each screw through the canopy mounting hole and into the mounting bracket. Tighten all screws securely.

Slide the decorative mounting screw cover up to cover the mount screw heads. (Fig. 16).

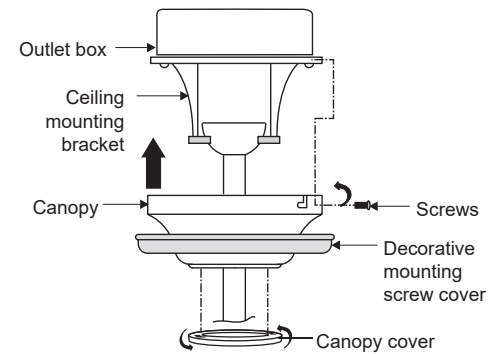


Fig. 15

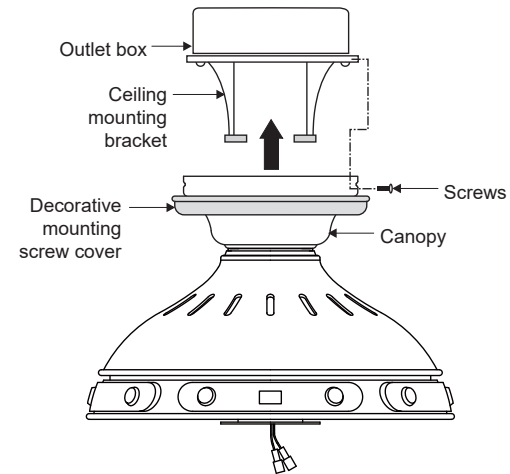


Fig. 16

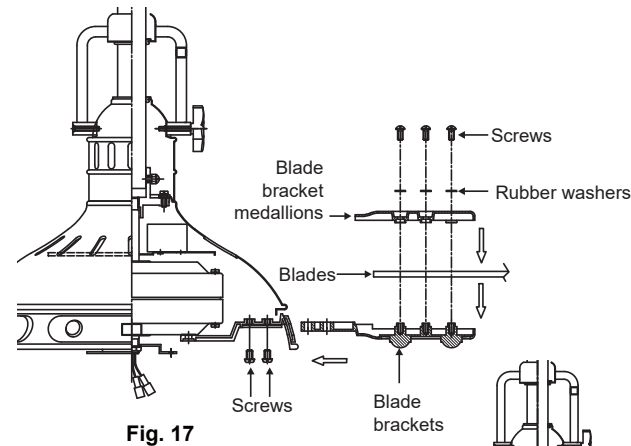
ATTACHING THE FAN BLADES

Step 1. Place a blade between a blade bracket and a blade bracket medallion. Attach all three pieces using the screws and fiber washers provided. (Fig. 17)

Make sure the blade is straight when set on the blade bracket and the medallion. Tighten each mounting screw and then repeat this procedure for each blade.

Step 2. Attach each blade assembly to the motor using two mounting screws for each blade assembly. (Fig. 17)

NOTE: Make sure these mounting screws are securely tightened.



INSTALLING THE LIGHT FIXTURE

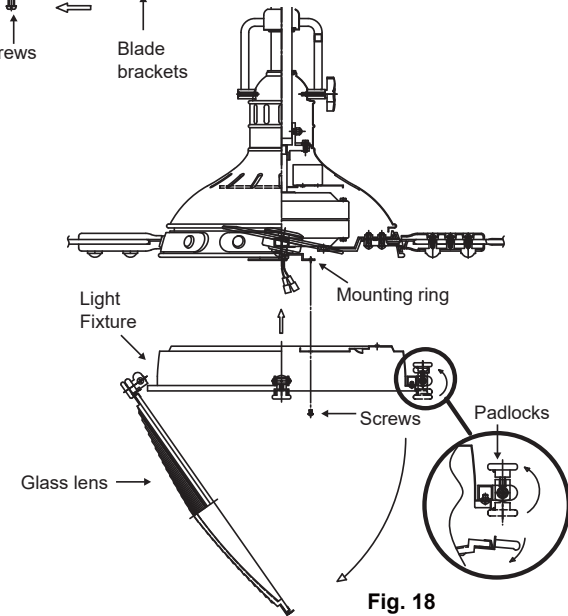
Step 1. Loosen the two screws on the mounting ring attached to the motor shaft and "remove" and save the third screw. (Fig. 18)

Step 2. Loosen the padlocks on one side of the light fixture allowing the lens holder to open.

Step 3. Place the key hole slots on the light plate over the two screws previously loosened on the mounting ring.

Turn the light plate until it locks in place at the narrow section of the key hole slots.

Tighten both key hole screws and replace the third screw previously removed and tighten securely.



INSTALLING THE LED LIGHT PLATE AND GLASS LENS

Step 1. Loosen the three mounting screws on the inside of the light fixture and "remove" and save the fourth screw. (Fig.19)

Step 2. Hold the light plate close to the light fixture and connect the white wires from the light plate and the fan. Follow the same procedure with the black wire connectors: (Fig. 19)

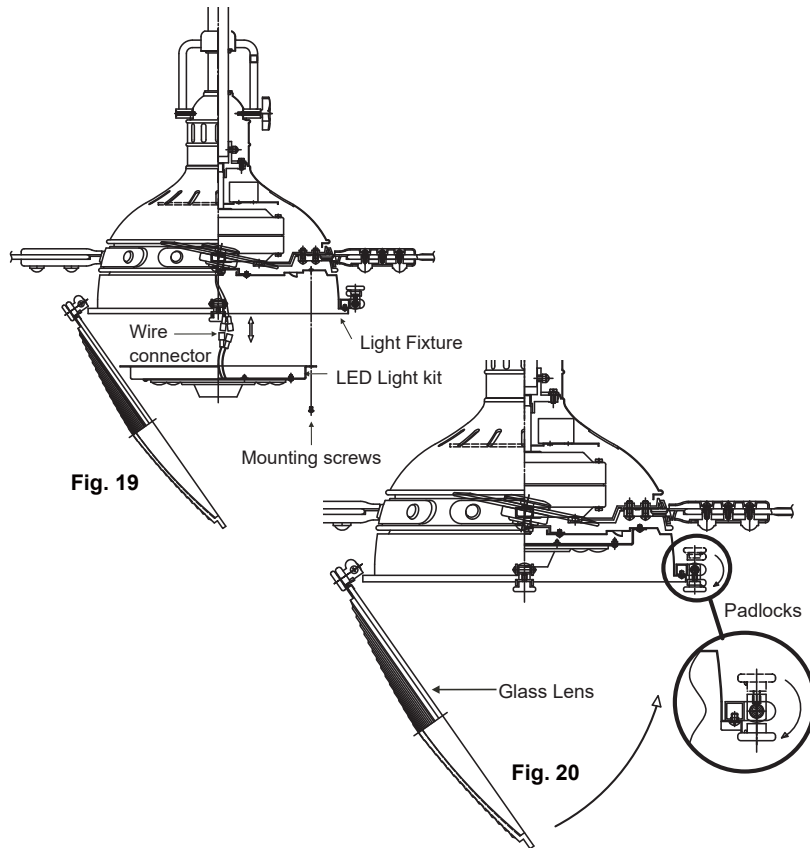
Step 3. Tuck the connections neatly into the light fixture.

NOTE: Be careful not to pinch the light plate wires between the light plate and the light fixture.

Step 4. Place the light plate key hole slots over the three screws previously loosened on the light fixture and turn the light plate until it locks in place at the narrow section of the key hole slots. Tighten the three key hole screws and replace the fourth screw previously removed and tighten securely. (Fig. 19)

Carefully lift the light fixture lens onto the lens holder align the edge and close the light fixture.

NOTE: Make sure to the padlocks and tighten to prevent the lens holder from coming tumble.(Fig. 20)



INSTALLING THE BATTERIES

Remove the battery compartment cover on the back of the CoolTouch™ Transmitter and insert both batteries provided. Make sure the + sign is facing up.

Take care during this procedure NOT TO move the frequency dip switches inside this compartment. The settings MUST remain the same as the settings on the receiver for proper communication with the control system.

It's a good idea to remove these batteries if your fan is not used for extend periods of time, (months).

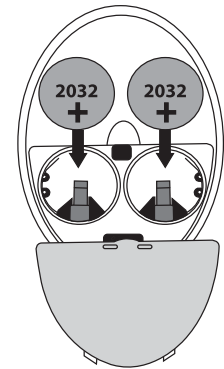


Fig. 21

OPERATING INSTRUCTIONS

Restore power to ceiling fan and test for proper operation.

●, ●●, and ●●● buttons:

These three buttons are used to set the fan speed as follows:

- = High speed
- = Medium speed
- = Low speed

⏻ button: This button turns the fan off.

The "💡" and "💡" button:

The "💡" button turns the upper light ON or OFF and also controls the brightness setting. The "💡" button turns the bottom light ON or OFF and also controls the brightness setting.

Press and hold either button to set the desired brightness level. The next time you turn the light on, the system will remember this setting.

Press and release either button to turn the light ON or OFF.

The "↻" button is used to set the fan in forward or reverse operation. Each time you press this button the fan blades will reverse direction. This button functions ONLY when the fan blades are in operation.

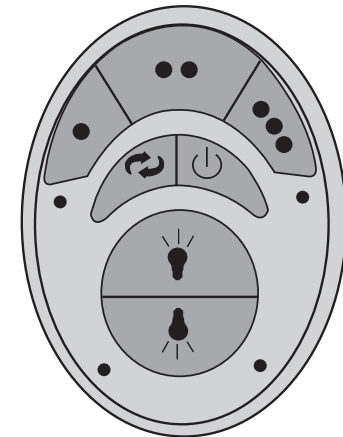


Fig. 22

INSTALLING THE COOLTOUCH™ CONTROL SYSTEM WALL PLATE

NOTE: All wiring must be in accordance with the National Electrical Code and local electrical codes. Electrical installation should be performed by a qualified licensed electrician.

Select a location to install your CoolTouch™ Control System Transmitter. You can replace an existing wall switch or, install the transmitter on ANY flat surface.

Option 1: Install the control system using an existing wall switch outlet box. Make sure the electrical power is TURNED OFF at the main panel before continuing.

NOTE: Switch installation must comply with all local and national electric code.

Step 1. Remove the existing wall plate and the old switch from the wall outlet box. Wire nut the BLACK leads (hot) together and push back inside the outlet box. (Fig. 23)

Step 2. Install the metal plate and CoolTouch™ wall plate to the existing wall outlet box with 4 screws provided. Then place the two plastic plugs into the wall plate. (Fig. 24)

Option 2: Install the control system on ANY flat surface. Select the desired location and use the CoolTouch™ wall plate to mark the location for the mounting holes. Use the dry wall anchors and/or screws provided and finish the installation.

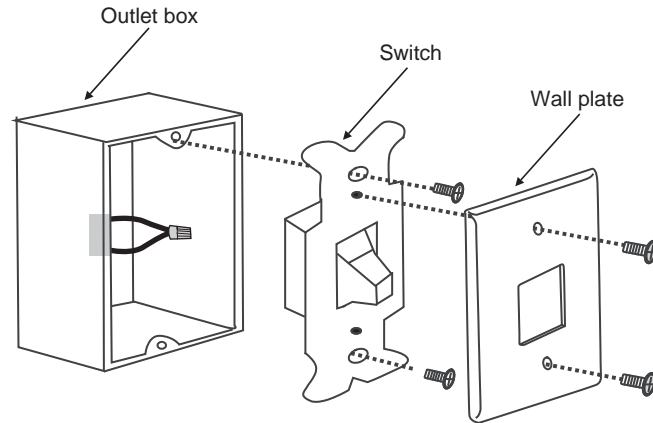


Fig. 23

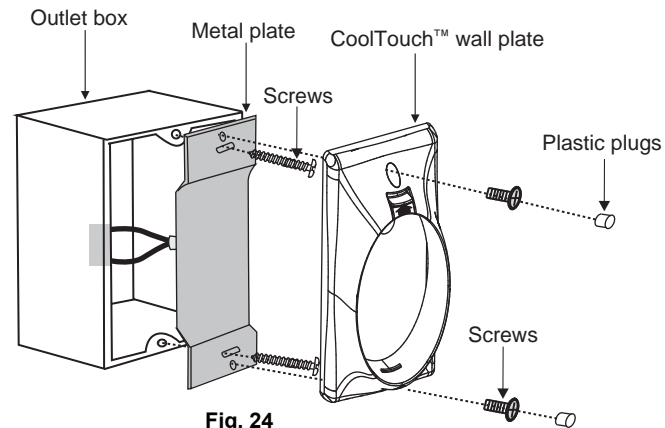


Fig. 24

INSTALLING THE TRANSMITTER

Step 1. Insert the transmitter into the wall plate by inserting the bottom of the transmitter first and then press the top of the transmitter into the pocket. The transmitter will fully function from this location or you can remove the transmitter and use as a "Hand Held" device. (**Fig. 25**)

Step 2. To remove the transmitter from the wall plate, push the release button and the transmitter will fall into your hand.

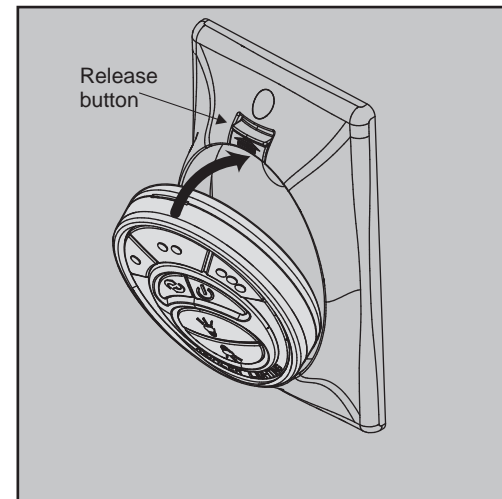


Fig. 25

OPERATING INSTRUCTIONS

NOTE: To operate the reverse function on this fan, press the reverse button while the fan is running.

Warm weather - Forward (counter clockwise) A downward airflow creates a cooling effect as shown in **Fig. 26**. This allows you to set your air conditioner on a warmer setting without affecting your comfort.

Cool weather - Reverse (clockwise) An upward airflow moves warm air off the ceiling area as shown in **Fig. 27**. This allows you to set your heating unit on a cooler setting without affecting your comfort.

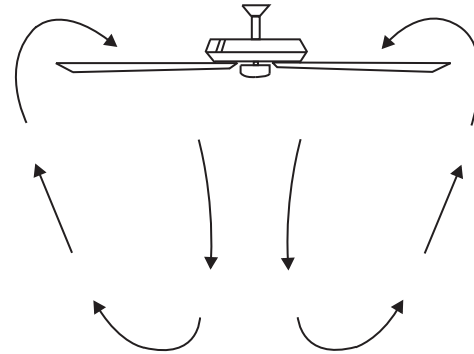


Fig. 26

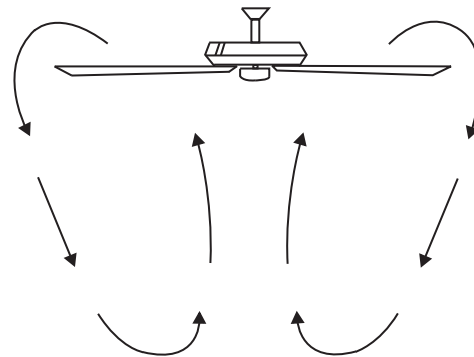


Fig. 27

TROUBLESHOOTING

Problem	Solution
Fan will not start.	<ol style="list-style-type: none">1. Check circuit fuses or breakers.2. Check all electrical connections to ensure proper contact. CAUTION: Make sure the main power is OFF when checking any electrical connection.3. Make sure transmitter batteries are installed properly (Positive + side facing out), and ensure the batteries have a good charge.
Fan sounds noisy.	<ol style="list-style-type: none">1. Make sure all motor housing screws are snug.2. Make sure the screws that attach the fan blade brackets to the motor are tight.3. Make sure wire nut connections are not rubbing against each other or the interior wall of the switch housing. CAUTION: Make sure main power is off.4. Allow a 24-hour "breaking-in" period. Most noise associated with a new fan disappear during this time.5. If using an optional light kit, make sure the screws securing the glassware are tight. Make sure the light bulbs are not touching any other component.6. Do not connect this fan to wall mounted variable speed control(s). they are not compatible with ceiling fan motors or remote controls.7. Make sure the upper canopy is a short distance from the ceiling. It should not touch the ceiling.
Fan wobble.	<ol style="list-style-type: none">1. Check that all blade and blade arm screws are secure.2. Most fan wobbling problems are caused when blade levels are unequal. Check this level by selecting a point on the ceiling above the tip of one of the blades. Measure this distance. Rotate the fan until the next blade is positioned for measurement. Repeat for each blade. The distance deviation should be equal within 1/8".3. Use the enclosed Blade Balancing Kit if the blade wobble is still noticeable.4. If the blade wobble is still noticeable, interchanging two adjacent (side by side) blades can redistribute the weight and possibly result in smoother operation.
Remote control malfunction.	<ol style="list-style-type: none">1. Ceiling Fans with remote control systems CAN NOT be operated in conjunction with any other control system EXCEPT a basic On/Off wall switch, if desired.2. Make sure the frequency dip switches in the transmitter and receiver have identical settings.3. Make sure the Black Antenna on the receiver is NOT tangled with any other electrical wires and is extended around the inside of the ceiling canopy.

SPECIFICATIONS

Fan Size	Speed	Volts	Amps	Watts	RPM	CFM	CFM/W	N.W.	G.W.	C.F.
52"	High	120	0.67	80.9	143	5390.13	66.63	14 kgs	15 kgs	3.05'
	Medium	120	0.52	38.9	95	3577.70	91.97			
	Low	120	0.35	15.0	47	1646.21	109.75			

These are approximate measurements. They do not include data for any lamps or fixtures attached to the ceiling fan.

FCC Information

This device complies with part 15 of the FCC Rules. Operation is subject to the following two conditions:

- 1) This device may not cause harmful interference, and
- 2) This device must accept any interference received, including interference that may cause undesired operation.

Note: This equipment has been tested and found to comply with the limits for a Class B digital device, pursuant to part 15 of the FCC Rules. These limits are designed to provide reasonable protection against harmful interference in a residential installation. This equipment generates, uses and can radiate radio frequency energy and, if not installed and used in accordance with the instructions, may cause harmful interference to radio communications. However, there is no guarantee that interference will not occur in a particular installation. If this equipment does cause harmful interference to radio or television reception, which can be determined by turning the equipment off and on, the user is encouraged to try to correct the interference by one or more of the following measures:

- Reorient or relocate the receiving antenna.
- Increase the separation between the equipment and receiver.
- Connect the equipment into an outlet on a circuit different from that to which the receiver is connected.
- Consult the dealer or an experienced radio/TV technician for help.

KICHLER®

www.kichler.com

KICHLER® LIGHTING

7711 EAST PLEASANT VALLEY ROAD

CLEVELAND, OHIO 44131

CUSTOMER SERVICE 866.558.5706

8:00 AM TO 5:00 PM EST, MONDAY - FRIDAY

KICHLER®

VENTILATEUR À LED HATTERAS BAY™

Le produit peut différer légèrement des illustrations.



MANUEL D'INSTRUCTIONS

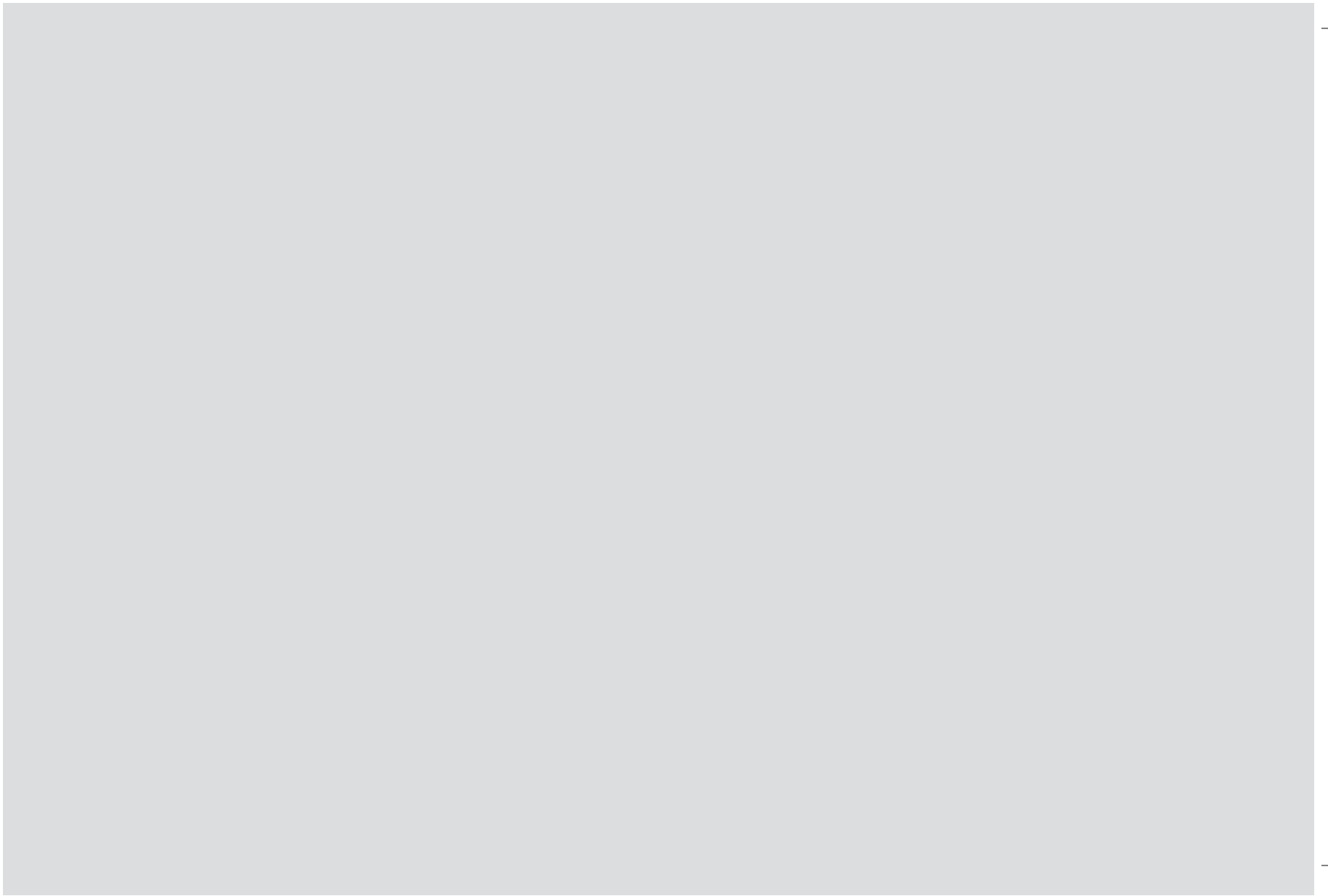


TABLE DES MATIÈRES

RÈGLES DE SÉCURITÉ.....	4	INSTALLATION DE LA PLAQUE LUMINEUSE ET LA LENTILLE EN VERRE.....	16
OUTILLAGE REQUIS.....	5	INSTALLER LES PILES.....	17
CONTENU DE L'EMBALLAGE.....	5	MODE D'EMPLOI.....	17
OPTIONS DE MONTAGE.....	6	INSTALLATION DE LA PLAQUE MURALE DU SYSTÈME DE COMMANDE COOLTOUCH™.....	18
SUSPENDRE LE FAN.....	7	INSTALLATION DE L'ÉMETTEUR.....	19
INSTALLATION DU SUPPORT DE SÉCURITÉ.....	11	INSTRUCTIONS D'UTILISATION.....	20
CONNEXIONS ÉLECTRIQUES.....	12	DÉPANNAGE.....	21
FINITION DE L'INSTALLATION.....	14	CARACTÉRISTIQUES.....	22
FIXATION DES PALES DE VENTILATEUR.....	15	FCC INFORMATION.....	22
INSTALLATION DE LUMINAIRE.....	15		

RÈGLES DE SÉCURITÉ

1. Pour réduire le risque d'électrocution, assurez-vous que l'électricité a été coupée au niveau du disjoncteur ou de la boîte à fusibles avant de commencer.
2. Le câblage doit être installé conformément au code national d'électricité américain (NEC) et aux codes locaux. Les travaux d'électricité doivent être exécutés par un électricien agréé qualifié.
3. **AVERTISSEMENT** : Pour réduire les risques d'incendie, de choc électrique ou de blessures, utilisez les vis de montage fournies avec la boîte de prise de courant. La plupart des boîtes de sortie couramment utilisées pour le support des appareils d'éclairage ne sont pas acceptables pour le support du ventilateur et doivent éventuellement être remplacées. En raison de la complexité de l'installation de ce ventilateur, un électricien qualifié et agréé est fortement recommandé.

AVERTISSEMENT

POUR RÉDUIRE LE RISQUE DE BLESSURES, NE PAS PLIER LES SUPPORTS DE PALES (APPELÉS ÉGALEMENT BRIDES) LORS DU MONTAGE OU APRÈS L'INSTALLATION NE PAS PLACER D'OBJETS DANS LA TRAJECTOIRE DES PALES.

4. La boîte à prises et la structure de support doivent être solidement fixées et capables de supporter de manière fiable un minimum de 23 kg. Utiliser uniquement des boîtes à prises homologuées ETL et marquées « POUR SUPPORT DE VENTILATEUR ».
5. Le ventilateur doit être installé à une distance de 2,15 m minimum du bord de fuite des pales par rapport au sol.
6. Pour utiliser la fonction d'inversion sur ce ventilateur, appuyez sur le bouton d'inversion pendant le fonctionnement du ventilateur.

7. Éviter de placer des objets dans la trajectoire des pales.
8. Pour éviter des blessures ou des dommages au ventilateur et autres objets, prendre toutes les précautions nécessaires lors de travaux effectués près du ventilateur ou lors du nettoyage du ventilateur.
9. Ne pas utiliser d'eau ni de détergents pour nettoyer le ventilateur ou les pales du ventilateur. Utiliser un chiffon à poussière sec ou légèrement imbibé pour effectuer la majeure partie du nettoyage.
10. Après avoir effectué les connexions électriques, les conducteurs épissés doivent être tournés vers le haut et soigneusement rentrés dans la boîte à prises. Les fils doivent être écartés avec le fil de terre et le fil blanc (commun) d'un côté et le fil noir (de charge) de l'autre côté du boîtier de prise.
11. Les schémas électriques ne sont que des références. Les kits d'éclairage qui ne sont pas fournis avec le ventilateur doivent être répertoriés dans la liste CUL et porter un marquage approprié pour une utilisation avec le ventilateur modèle que vous installez. Les commutateurs doivent être des commutateurs à usage général CUL. Reportez-vous aux instructions fournies avec les kits d'éclairage et les commutateurs pour un montage correct.

AVERTISSEMENT

POUR RÉDUIRE LES RISQUES D'INCENDIE, CHOCS ÉLECTRIQUES OU BLESSURES, INSTALLER LE VENTILATEUR SUR LA BOÎTE À PRISES MARQUÉE « CAPABLE DE SUPPORTER UN VENTILATEUR »

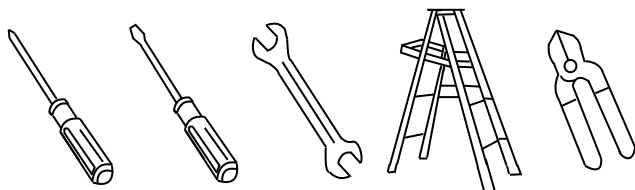
Avis Spécial

Cet appareil est équipé d'un « dispositif de limitation de la consommation en watts », requis par le ministère de l'Énergie des États-Unis. L'appareil a été installé en usine et ne peut pas être retiré.

L'installation de lampes excédant 75 watts au total désactivera le luminaire de l'appareil. Si cela devait se produire, vous devrez réinitialiser l'appareil d'éclairage en coupant l'alimentation du ventilateur de plafond et / ou de l'appareil d'éclairage, en réinstallant les lampes d'une puissance totale inférieure à 75 watts, puis en les rallumant..

OUTILLAGE REQUIS

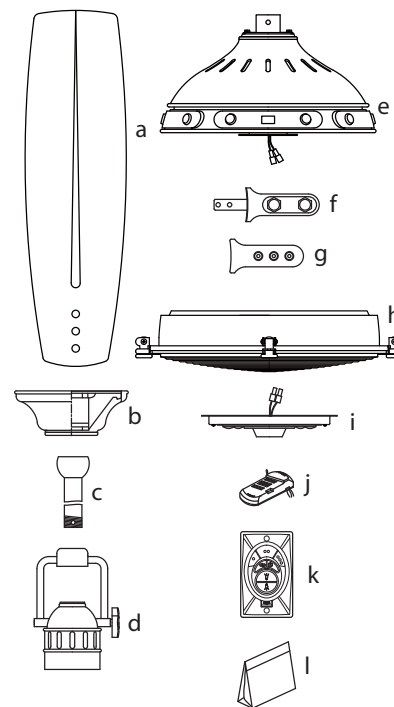
Tournevis Philips
Tournevis standard
Pale Clé de 11 mm
Escabeau
Coupe-fil



CONTENU DE L'EMBALLAGE

Déballiez votre ventilateur et vérifiez le contenu. Vous devriez avoir à votre disposition les éléments suivants :

- a. Pales de ventilateur (5)
- b. Support de montage auvent et au plafond
- c. Assemblage boule / tige
- d. Couvercle d'accouplement
- e. Moteur du ventilateur
- f. Jeu de supports de lame (5)
- g. Médaillons de support de lame (5)
- h. Luminaire
- i. Kit d'éclairage LED 23W
- j. Receveur
- k. Système de contrôle CoolTouch™
- l. Contenu du sacde pièces :
 - 1) Matériel de montage:
rondelles en étoile (2), écrous métalliques (3), vis à métaux (2), rondelles (2), vis (2)
 - 2) Joint en caoutchouc
 - 3) Matériel de fixation de la lame:
vis (17), rondelles en caoutchouc (17),
 - 4) Matériel pour câble de sécurité : vis à bois, rondelle élastique, rondelle plate
 - 5) Kit d'équilibre



OPTIONS DE MONTAGE

En l'absence d'une boîte de montage homologuée cUL (UL pour les États-Unis), prendre connaissance des instructions suivantes. Débrancher l'alimentation en retirant les fusibles ou en déclenchant les disjoncteurs de la boîte à prises.

Fixer la boîte à prises directement sur la structure du bâtiment. Utiliser des attaches et des matériaux de construction appropriés. La boîte à prises et son support doivent être en mesure de soutenir le poids du ventilateur en mouvement (au moins 22 kg). Ne pas utiliser de boîtes à prises en plastique.

Les **figures 1, 2 et 3** sont des exemples de différentes manières de monter la boîte de sortie.

REMARQUE : Si vous installez le ventilateur de plafond sur un plafond voûté, vous pouvez avoir besoin d'une tige de suspension plus longue pour maintenir un dégagement approprié entre la pointe de la pale et le plafond. Un intervalle de 30 cm minimum est suggéré pour garantir un fonctionnement optimal.

REMARQUE : Selon l'emplacement sélectionné pour l'installation, il peut s'avérer nécessaire d'acheter et d'installer un étrier à solive pour soutenir la boîte à prises. S'assurer que l'étrier à solive qui sera acheté, a été conçu pour une utilisation avec des ventilateurs de plafond (**Fig. 4**).

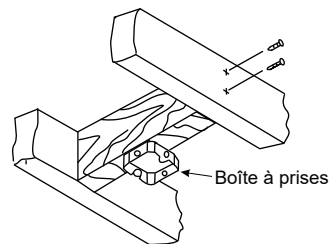


Fig. 1

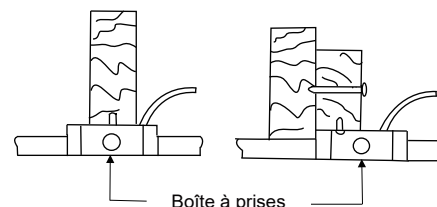


Fig. 2

PLAFOND EN ANGLE
ANGLE DE 20° MAXIMUM

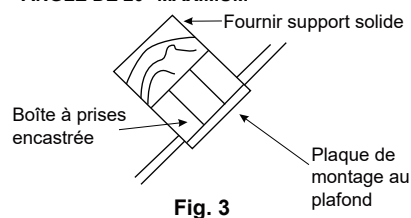


Fig. 3

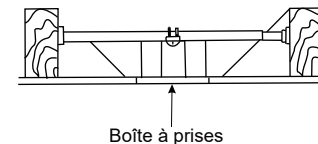


Fig. 4

SUSPENDRE LE FAN

REMARQUE: Ce ventilateur de plafond est fourni avec deux types d'assemblages suspendus; un système de montage de tige et de verrière et un système SEULEMENT "au plafond près du plafond". L'installation "au plafond" est recommandée dans les pièces avec des plafonds de moins de 8 pieds ou dans les zones où un espace supplémentaire est souhaité, du sol aux pales du ventilateur. Une fois que vous avez sélectionné le système de montage à utiliser, suivez les instructions suivantes. Si nécessaire, chaque section des instructions indiquera les différentes procédures à suivre pour les deux types de montage.

N'OUBLIEZ PAS de couper l'alimentation avant de commencer. Pour installer correctement votre ventilateur de plafond, suivez les étapes ci-dessous.

Étape 1. Retirez le couvercle inférieur du dais décoratif du dais. (Fig. 5)

Étape 2. Retirez le cache-vis de montage décoratif de l'auvent et desserrez les quatre vis situées sur le dessus de l'auvent. Retirez les deux vis non fendues et desserrez les vis fendues. Cela vous permettra de retirer le support de fixation au plafond. (Fig. 5)

Étape 3. Retirez le support de fixation au plafond de l'auvent en desserrant les deux vis situées au bas du support de fixation au plafond. Tournez le dais dans le sens antihoraire et retirez-le. (Fig. 5)

Étape 4. Passez les fils d'alimentation de 120 volts de la boîte de sortie du plafond au centre du support de fixation au plafond. (Fig. 6)

Étape 5. Fixez le support de montage au plafond à la prise de courant à l'aide des vis et des rondelles fournies avec celle-ci. (Fig. 6)

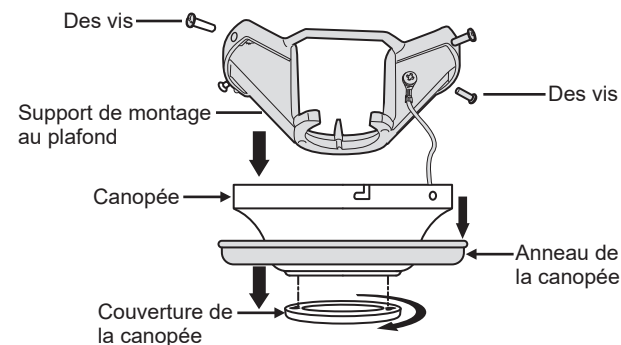


Fig. 5

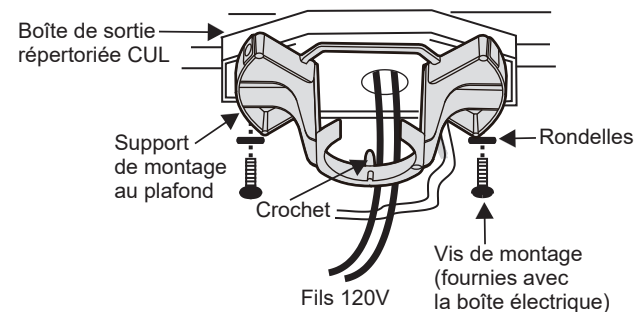


Fig. 6

INSTALLATION STANDARD AU PLAFOND

Étape 1. Retirez la boule de suspension de l'assemblage de la tige descendante en desserrant la vis de réglage, en retirant la goupille transversale et en faisant glisser la boule de la tige. (Fig. 7)

Étape 2. Desserrez les deux vis de réglage et retirez la goupille d'attelage et le clip de fixation de l'accouplement situé au-dessus de l'ensemble du moteur. (Fig. 7)

Étape 3. Faites passer avec précaution les câbles électriques du ventilateur à travers la tige descendante. Vissez la tige dans l'accouplement jusqu'à ce que les trous des goupilles d'attelage soient alignés. Ensuite, remplacez la goupille d'attelage et le clip de retenue. Serrez les deux vis de pression. (Fig. 7)

Étape 4. Glissez le couvercle d'accouplement, le couvercle d'auvent, le couvercle de vis de montage décoratif et l'auvent sur la tige de descente.

Enfilez la boule de suspension sur la tige, insérez la goupille transversale dans la tige et serrez. Serrez maintenant la vis de pression. (Fig. 7)

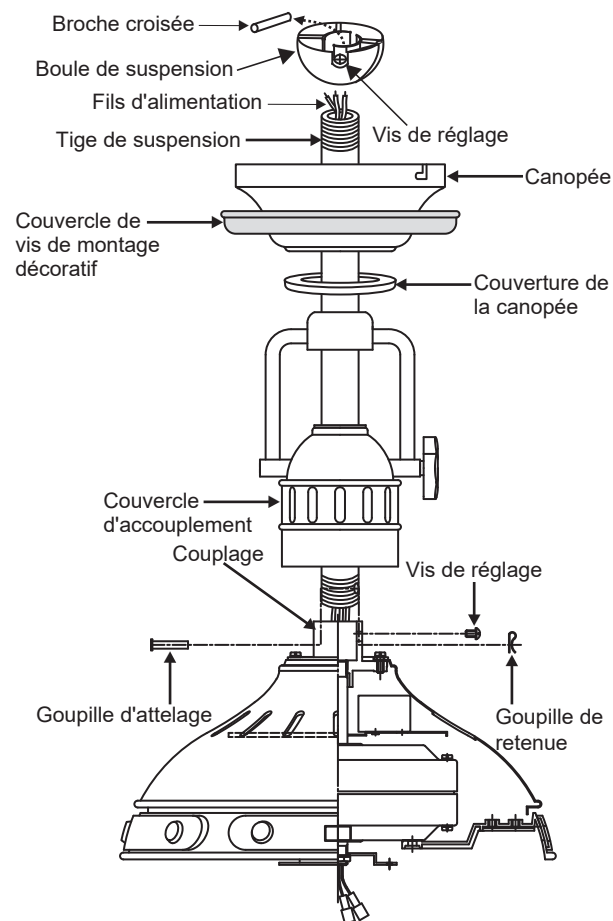


Fig. 7

INSTALLATION STANDARD AU PLAFOND (suite)

Étape 5. Soulevez l'ensemble du moteur en position et placez la boule de suspension dans le support de fixation au plafond.

Faites pivoter l'ensemble complet jusqu'à ce que le "Check Tab" soit tombé dans la "fente d'enregistrement" et s'assoie fermement.
(Fig. 8)

L'ensemble du moteur ne doit pas tourner
(à gauche ou à droite) lorsqu'il est correctement assis.

ATTENTION: Si vous ne positionnez pas correctement le "Check Tab", vous risquez d'endommager le ventilateur de plafond pendant son fonctionnement.

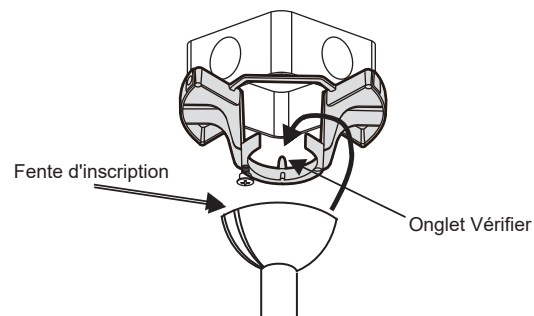


Fig. 8

INSTALLATION PROCHE PLAFOND

Étape 1. Retirez trois des six vis et rondelles de blocage (toutes les deux) du collier situé au-dessus de l'ensemble moteur. Placez le capot du ventilateur de plafond et le joint en caoutchouc sur le collier et alignez les trous de montage avec ceux du collier. Fixez le baldaquin et le joint en caoutchouc à l'aide des trois vis et rondelles de blocage préalablement retirées. (Fig. 9)

ATTENTION: Si vous ne serrez pas complètement les trois vis de fixation de l'étape 9, le ventilateur risque de tomber du plafond.

Étape 2. Poussez le cache de vis de montage décoratif vers le bas et retirez-le du capot en le laissant reposer sur le dessus du boîtier du moteur (Fig. 10) et suspendez le ventilateur au support de montage au plafond en insérant le crochet sur le bord intérieur du support de montage au plafond les trous de vis dans l'auvent du plafond (Fig. 10). Cela vous permettra d'avoir les deux mains libres pour effectuer les connexions de câblage.

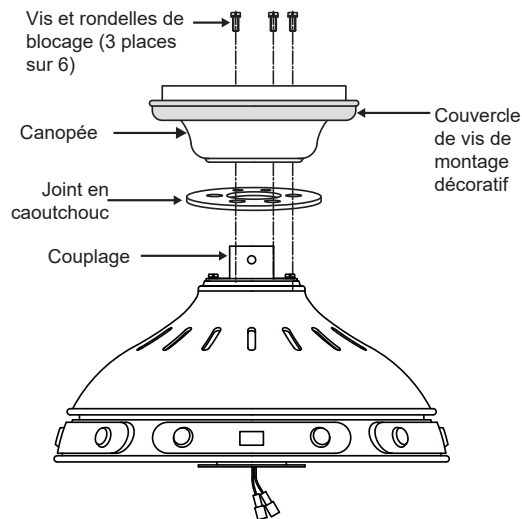


Fig. 9

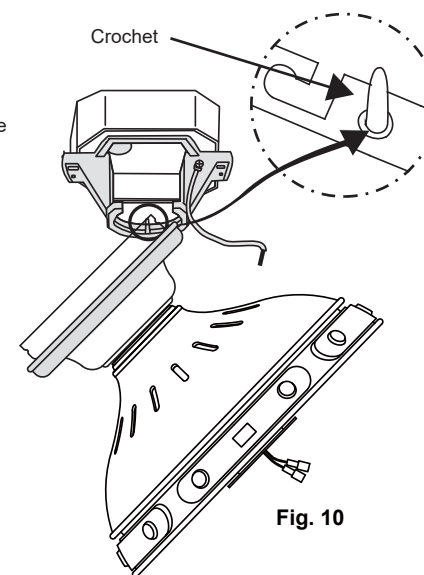


Fig. 10

INSTALLATION DU SUPPORT DE SÉCURITÉ

(requis **UNIQUEMENT** dans le cas d'une installation canadienne)

Un câble de support de sécurité est fourni pour empêcher que le ventilateur de plafond ne tombe. Veuillez l'installer comme suit.

Étape 1. Fixez la vis à bois et les rondelles fournies à la solive du plafond à côté du support de montage sans serrer (**Fig. 11**)

Étape 2. Ajustez la longueur du câble de sécurité pour atteindre la vis et les rondelles en tirant l'excès de câble à travers le serre-câble jusqu'à ce que la longueur totale soit correcte. Placez l'embout du câble à travers le serre-câble en formant une boucle à l'extrémité du câble. Serrez bien le serre-câble. Mettez maintenant la boucle à l'extrémité du câble de sécurité au-dessus de la vis à bois et sous la rondelle. Serrez bien la vis à bois.

REMARQUE : Le câble de support de sécurité est requis pour les installations canadiennes uniquement. Il est recommandé d'effectuer la fixation à toute installation.

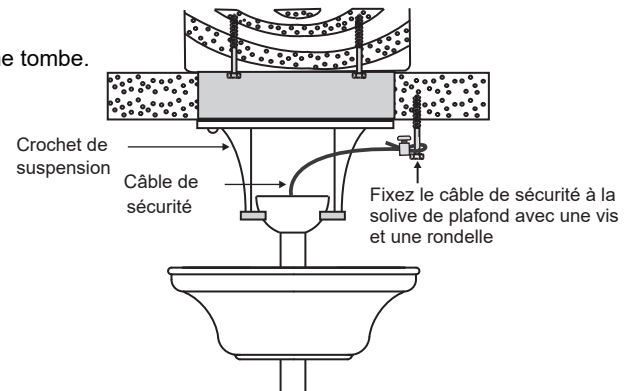


Fig. 11

CONNEXIONS ÉLECTRIQUES

AVERTISSEMENT : Pour éviter tout risque d'électrocution, s'assurer que l'alimentation est coupée au niveau du panneau de circuit principal.

Procédez comme suit pour raccorder le ventilateur au câblage du domicile. Utilisez les raccords de connexion des fils fournis avec le ventilateur. Fixez les connecteurs avec du ruban électrique. Assurez-vous qu'il n'y a pas de brins de fil ni de connexions desserrés.

REMARQUE : Le système de commande CoolTouch™ est équipé de 16 combinaisons de fréquences possibles pour éviter les interférences avec d'autres télécommandes. Les commutateurs de fréquence de votre récepteur et de votre émetteur ont été pré-réglés à l'usine. Veuillez confirmer que les commutateurs de l'émetteur et du récepteur sont réglés sur la même position, le ventilateur fonctionnera quelle que soit la combinaison tant que l'émetteur et le récepteur sont réglés sur la même position (**Fig. 12**).

Étape 1. Insérez le récepteur dans le support de montage au plafond avec le côté plat du récepteur face au plafond. (**Fig. 13**) Pour optimiser la performance, assurez-vous que l'antenne noire, à l'extrémité du récepteur, reste étendue et qu'elle n'est pas emmêlée avec les fils électriques.

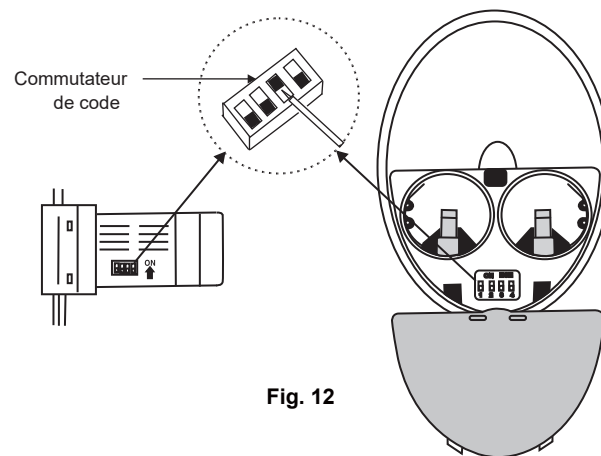


Fig. 12

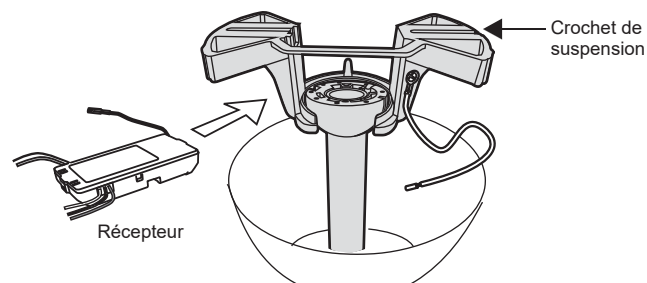


Fig. 13

CONNEXIONS ÉLECTRIQUES

(suite)

Étape 2. Connexions électriques entre le moteur et le récepteur : (Fig. 14)
Connectez le fil NOIR du ventilateur au fil noir marqué "TO MOTOR L" du récepteur. Connectez le fil blanc du ventilateur au fil blanc marqué "TO MOTOR N" du récepteur. Connectez le fil bleu du ventilateur au fil bleu marqué pour l'éclairage ("FOR LIGHT") du récepteur. Sécurisez toutes les connexions de fils avec les serre-fils en plastique (fournis).

Étape 3. (Fig. 14) Connexions entre récepteur et fils d'alimentation du domicile : Connectez le fil noir (sous tension) du plafond au fil noir marqué "AC in L" du récepteur. Connectez le fil blanc (neutre) du plafond au fil blanc marqué "AC IN N" du récepteur. Sécurisez les connexions de fils avec les connecteurs en plastique (fournis).

Étape 4. (Fig.14) Connectez le fil de terre (cuivre vert ou nu) du boîte à prises au fil de terre du support de fixation au plafond et au fil de terre du ventilateur de plafond. Une fois toutes les connexions effectuées, séparez les connexions des fils blanc et vert d'un côté et les connexions des fils noirs de l'autre côté du boîtier de prise de courant.

REMARQUE : Le ventilateur doit être installé à une distance maximale de 9 m de l'émetteur mural pour garantir une transmission de signal optimale entre l'unité émettrice et l'unité réceptrice du ventilateur.

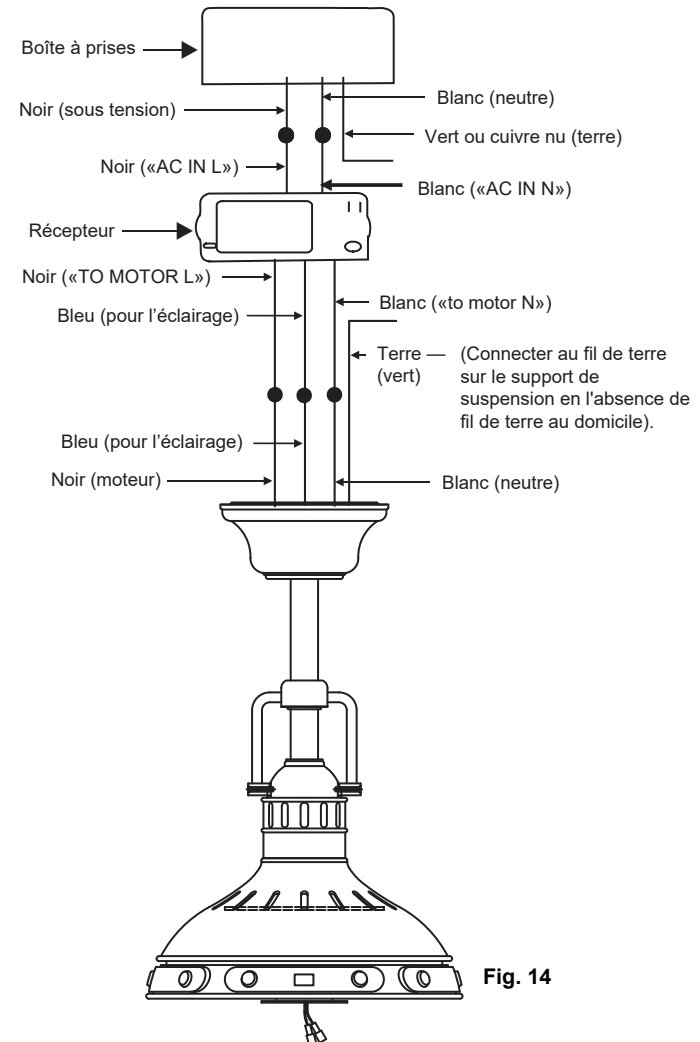


Fig. 14

FINITION DE L'INSTALLATION

INSTALLATION DE PLAFOND STANTARD

Étape 1. Rentrez soigneusement toutes les connexions dans la boîte de sortie du plafond.

Étape 2. Faites glisser le capot jusqu'au plafond et fixez-le au support de fixation au plafond à l'aide de 4 vis situées sur le bord supérieur du support de fixation. Insérez chaque vis dans le trou de montage du pavillon et dans le support de montage. Faites glisser le couvercle du toit jusqu'au toit et faites-le pivoter dans le sens des aiguilles d'une montre. Serrez toutes les vis fermement. (Fig. 15)

Étape 3. Faites glisser le cache de vis de montage décoratif vers le haut pour couvrir les têtes de vis de montage.

INSTALLATION PROCHE PLAFOND

Retirez le ventilateur du crochet sur le support de fixation au plafond. Fixez le ventilateur au support de montage au plafond à l'aide de 4 vis situées sur le bord supérieur du capot. Insérez chaque vis dans le trou de montage du pavillon et dans le support de montage. Serrez toutes les vis fermement.

Faites glisser le cache de vis de montage décoratif vers le haut pour couvrir les têtes de vis de montage. (Fig. 16)

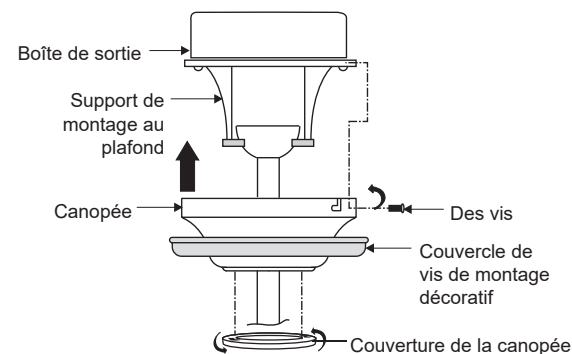


Fig. 15

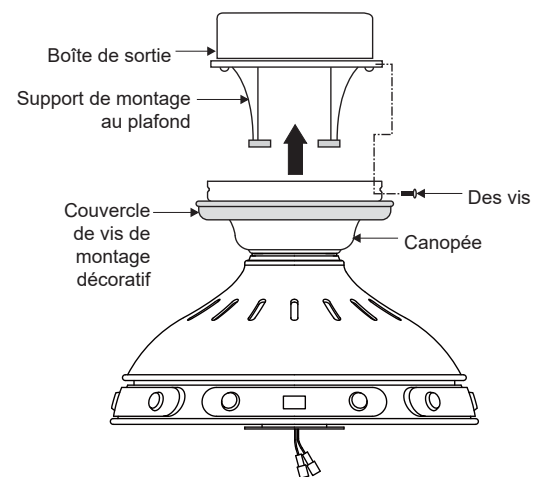


Fig. 16

FIXATION DES PALES DE VENTILATEUR

Étape 1. Placez une lame entre un support de lame et un médaillon de support de lame. Fixez les trois pièces à l'aide des vis et des rondelles en fibre fournies. (Fig. 17)

Assurez-vous que la lame est droite lorsqu'elle est fixée sur le support de lame et le médaillon. Serrez chaque vis de montage, puis répétez cette procédure pour chaque lame.

Étape 2. Fixez chaque lame au moteur à l'aide de deux vis de montage pour chaque lame. (Fig 17) **REMARQUE:** Assurez-vous que ces vis de montage sont bien serrées.

INSTALLATION DE LUMINAIRE

Étape 1. Desserrez les deux vis sur la bague de montage fixée à l'arbre du moteur et "retirez" et conservez la troisième vis. (Fig. 18)

Étape 2. Desserrez les cadenas sur un côté du luminaire pour permettre au porte-objectif de s'ouvrir.

Étape 3. Placez les fentes pour trous de serrure de la lampe sur les deux vis précédemment desserrées sur la bague de montage.

Tournez le luminaire jusqu'à ce qu'il soit verrouillé dans la partie étroite des fentes du trou de serrure. Serrez les deux vis du trou de serrure, remplacez la troisième vis retirée précédemment et serrez fermement.

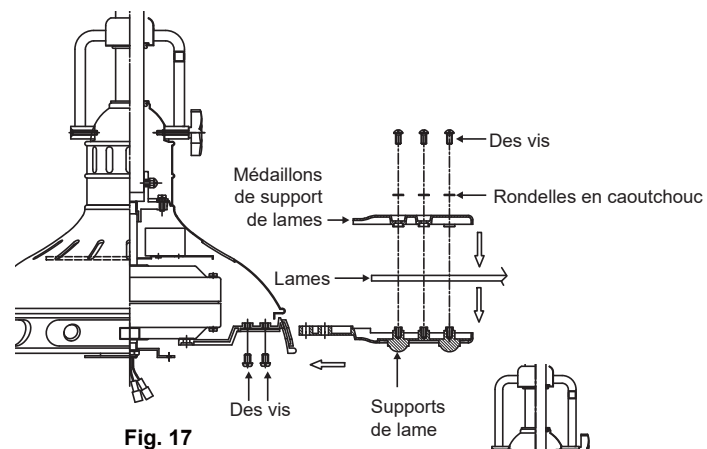


Fig. 17

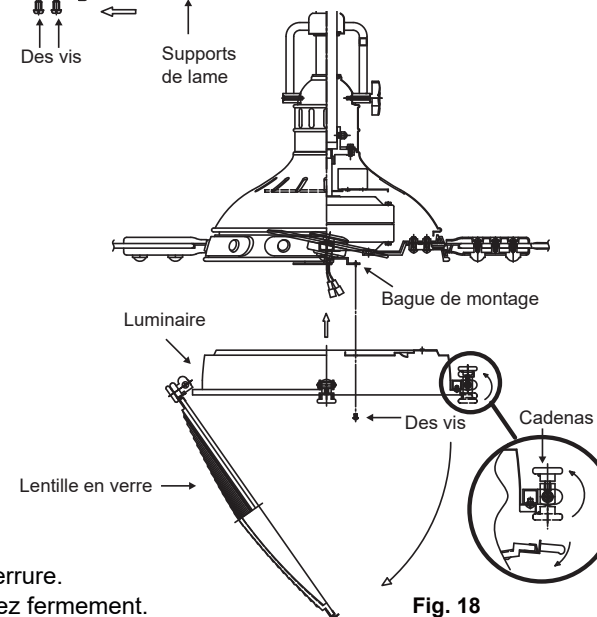


Fig. 18

INSTALLATION DE LA PLAQUE LUMINEUSE ET LA LENTILLE EN VERRE

Étape 1. Desserrez les trois vis de montage à l'intérieur du luminaire et "retirez" et conservez la quatrième vis. (Fig. 19)

Étape 2. Tenez la plaque d'éclairage près du luminaire et connectez les fils blancs de la plaque d'éclairage et du ventilateur. Suivez la même procédure avec les connecteurs de fil noir. (Fig. 19)

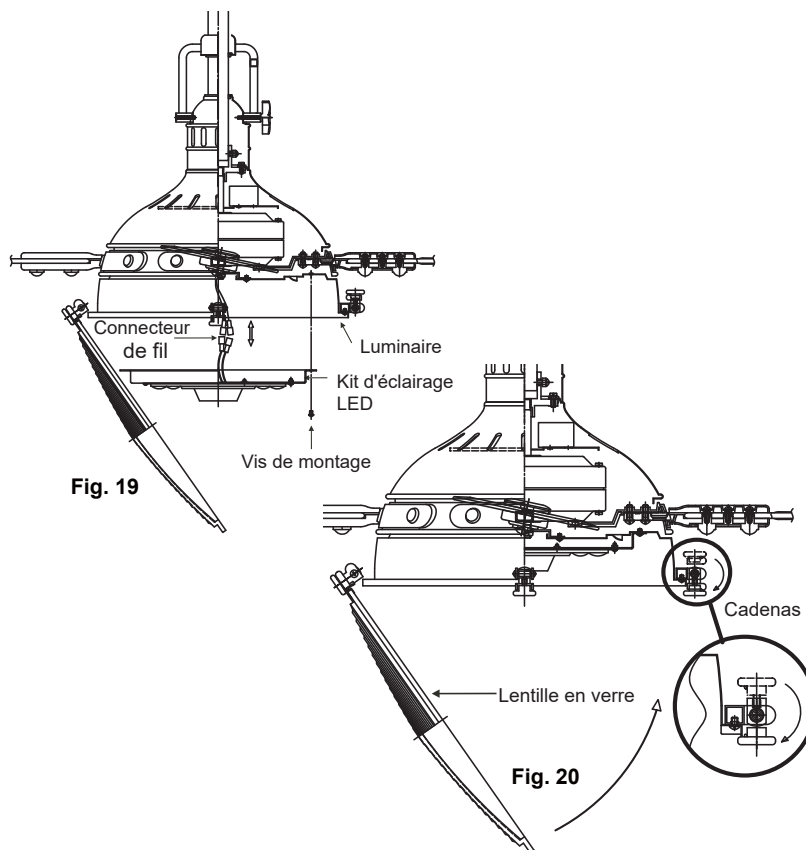
Étape 3. Rentrez soigneusement les connexions dans le luminaire.

REMARQUE: Veillez à ne pas pincer les fils de la plaque d'éclairage entre la plaque d'éclairage et le luminaire.

Étape 4. Placez les fentes de trou de la plaque lumineuse sur les trois vis précédemment desserrées sur le luminaire et tournez la plaque jusqu'à ce qu'elle se verrouille dans la partie étroite des fentes du trou de clé. Serrez les trois vis du trou de la clé, remplacez la quatrième vis retirée précédemment et serrez fermement. (Fig. 19)

Soulevez avec précaution la lentille du luminaire sur le porte-objectif, alignez le bord et fermez le luminaire.

REMARQUE: Assurez-vous de bien serrer les cadenas et empêchez le porte-objectif de tomber. (Fig. 20)



INSTALLER LES PILES

Retirez le couvercle du compartiment des piles à l'arrière de l'émetteur CoolTouch™ et insérez les deux piles fournies. Assurez-vous que le signe + est dirigé vers le haut.

Faites attention pendant cette procédure. NE PAS déplacer les commutateurs DIP de fréquence à l'intérieur de ce compartiment. Les paramètres DOIVENT rester les mêmes que ceux du récepteur pour que la communication avec le système de contrôle soit correcte.

C'est une bonne idée de retirer ces piles si votre ventilateur n'est pas utilisé pendant une période prolongée (mois).

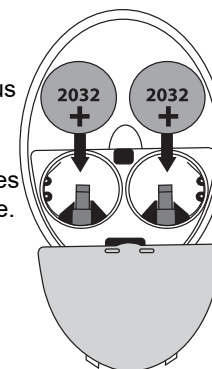


Fig. 21

MODE D'EMPLOI

Rétablissez l'alimentation du ventilateur de plafond et vérifiez son bon fonctionnement.


Boutons ●, ●●, et ●●● :


Ces trois boutons permettent de régler la vitesse du ventilateur comme suit :

- = Haute vitesse
- = Vitesse moyenne
- = Basse vitesse

Bouton:  Ce bouton éteint le ventilateur.


Les boutons "  " et "  " :

Le bouton "  " allume ou éteint la lumière supérieure et contrôle également le réglage de la luminosité. Le bouton

"  " allume ou éteint la lampe inférieure et contrôle également le réglage de la luminosité.

Appuyez sur l'un des boutons et maintenez-le enfoncé pour définir le niveau de luminosité souhaité. La prochaine fois que vous allumez la lumière, le système se souviendra de ce paramètre.

Appuyez brièvement sur l'un des boutons pour allumer ou éteindre la lumière.

Le bouton "  " permet de mettre le ventilateur en marche avant ou en marche arrière. Chaque fois que vous appuyez sur ce bouton, les pales du ventilateur inversent la direction. Ce bouton fonctionne UNIQUEMENT lorsque les pales du ventilateur sont en fonctionnement.

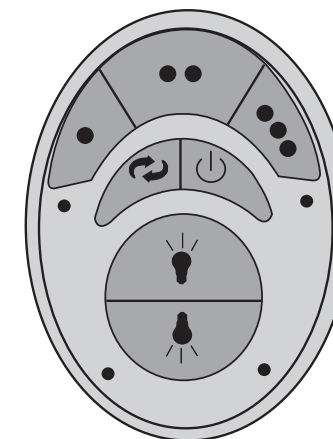


Fig. 22

INSTALLATION DE LA PLAQUE MURALE DU SYSTÈME DE COMMANDE COOLTOUCH™

REMARQUE: Tout le câblage doit être conforme au code électrique national et aux codes électriques locaux. L'installation électrique doit être effectuée par un électricien qualifié et agréé.

Sélectionnez un emplacement pour installer votre émetteur de système de contrôle CoolTouch™. Vous pouvez remplacer un interrupteur mural existant ou installer l'émetteur sur TOUTE surface plane.

Option 1: Installez le système de contrôle à l'aide d'un boîtier de sortie d'interrupteur mural existant. Assurez-vous que le panneau principal est éteint avant de continuer.

REMARQUE: L'installation du commutateur doit être conforme à tous les codes électriques locaux et nationaux.

Étape 1. Retirez la plaque murale existante et l'ancien interrupteur de la prise murale. Filez les fils NOIR (chauds) ensemble et repoussez-les à l'intérieur du boîtier de sortie. (Fig. 23)

Étape 2. Installez la plaque métallique et la plaque murale CoolTouch™ sur la prise murale existante à l'aide des 4 vis fournies. Puis placez les deux plastiques se branche dans la plaque murale. (Fig. 24)

Option 2: Installez le système de contrôle sur N'IMPORTE QUELLE surface plane. Sélectionnez l'emplacement souhaité et utilisez la plaque murale CoolIT™ pour marquer l'emplacement des trous de montage. Utilisez les ancrages pour mur sec et / ou les vis fournies et terminez l'installation.

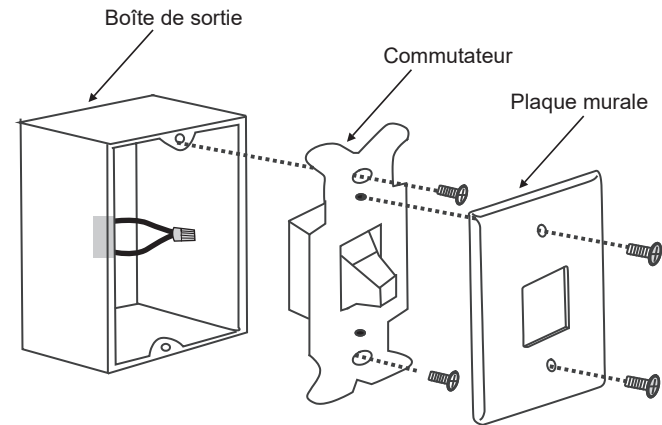


Fig. 23

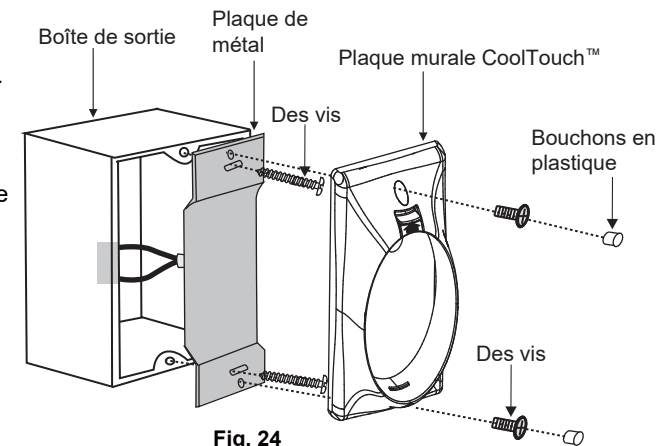


Fig. 24

INSTALLATION DE L'ÉMETTEUR

Étape 1. Insérez l'émetteur dans la plaque murale en insérant d'abord le bas de l'émetteur, puis appuyez sur le haut de l'émetteur dans la poche. L'émetteur fonctionnera pleinement à partir de cet emplacement ou vous pourrez le retirer et l'utiliser comme appareil «portable». (**Fig. 25**)

Étape 2. Pour retirer l'émetteur de la plaque murale, appuyez sur le bouton de déverrouillage et l'émetteur tombera dans votre main.

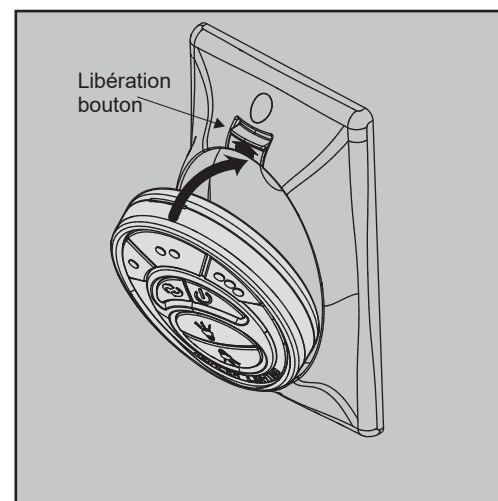


Fig. 25

INSTRUCTIONS D'UTILISATION

REMARQUE: Pour utiliser la fonction d'inversion sur ce ventilateur, appuyez sur le bouton d'inversion pendant le fonctionnement du ventilateur.

Temps chaud - Avant (sens antihoraire) Un flux d'air vers le bas crée un effet de refroidissement (voir la **figure 26**). Ceci vous permet de régler votre climatisation pour une température plus élevée sans affecter votre confort.

Temps frais - Arrière (sens horaire) Un flux d'air vers le haut déplace l'air chaud hors de la zone du plafond (voir la **Fig. 27**). Cela vous permet de régler votre degré de chaleur du plus chaud au plus frais sans affecter votre confort général.

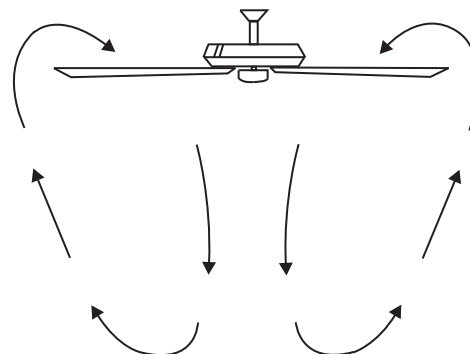


Fig. 26

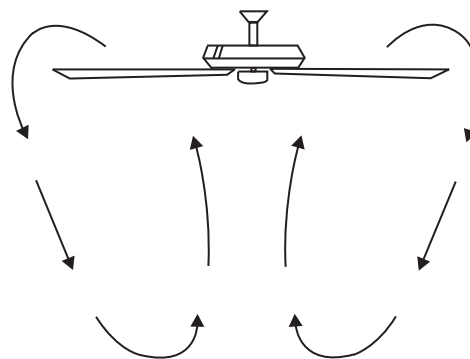


Fig. 27

DÉPANNAGE

Problème

Solution

Impossible de mettre le ventilateur en marche.

1. Vérifiez les fusibles ou disjoncteurs de circuit.
 2. Vérifiez tous les raccordements électriques pour garantir un bon contact.
- MISE EN GARDE :** Assurez-vous que l'alimentation principale est COUPÉE lors de la vérification des raccordements électriques.
3. Assurez-vous que les piles de l'émetteur sont correctement installées (Côté positif + tourné vers l'extérieur) et chargées.

Le ventilateur est bruyant.

1. Assurez-vous que toutes les vis du boîtier du moteur sont bien ajustées.
 2. Assurez-vous que les vis qui fixent les supports des pales du ventilateur au moteur sont bien serrées.
 3. Assurez-vous que les connexions des raccords filaires ne frottent pas les uns contre les autres ou contre la paroi intérieure du boîtier d'interrupteur.
- MISE EN GARDE :** Assurez-vous que l'alimentation est coupée.
1. La période de rodage est de de 24 heures. La majorité des bruits associés à un nouveau ventilateur disparaissent pendant la période de rodage.
 2. Si vous utilisez un kit d'éclairage en option, assurez-vous que les vis de fixation de la verrerie sont serrées. Assurez-vous que les ampoules ne sont pas en contact avec aucun autre composant.
 3. Ne pas connecter le ventilateur à un ou plusieurs contrôleurs de vitesse variables muraux. Ils ne sont pas compatibles avec les moteurs de ventilateur de plafond ou les télécommandes.
 4. Assurez-vous que la monture supérieure est à une courte distance du plafond. Il ne doit pas toucher le plafond.

Le ventilateur vacille.

1. Vérifiez que toutes les vis des pales et des bras de pales sont sécurisées.
2. La plupart des problèmes de vacillement des ventilateurs provient des niveaux inégaux des pales. Vérifiez ce niveau en sélectionnant un point au plafond au-dessus de l'extrémité d'une des pales. Mesurez cette distance. Faites tourner le ventilateur jusqu'à ce que la prochaine pale soit positionnée pour la mesure. Répétez pour chaque pale. L'écart de distance doit se trouver dans les 1/8 po.
3. Utilisez le kit d'équilibrage de lame fourni si le vacillement de la lame est toujours perceptible.
4. Si le vacillement des pales est toujours perceptible, échangez deux pales adjacentes (côte à côte) pour redistribuer le poids et éventuellement permettre un fonctionnement plus équilibré.

Dysfonctionnement de la télécommande.

1. Les ventilateurs de plafond avec systèmes de commande à distance NE PEUVENT PAS être utilisés avec tout autre système de commande SAUF un interrupteur mural On / Off de base, si nécessaire.
2. Assurez-vous que les commutateurs DIP de fréquence de l'émetteur et du récepteur ont des réglages identiques.
3. Assurez-vous que l'antenne noire sur le récepteur n'est PAS emmêlée avec d'autres fils électriques et s'étend sur l'intérieur du plafond du plafond.

CARACTÉRISTIQUES

Taille	Vitesse	Volts	Amplis	Watts	RPM	CFM	CFM/W	N.W.	G.W.	C.F.
52"	Haute	120	0.67	80.9	143	5390.13	66.63	14 kgs	15 kgs	3.05'
	Moyen	120	0.52	38.9	95	3577.70	91.97			
	Faible	120	0.35	15.0	47	1646.21	109.75			

Ce sont des mesures approximatives. Ils ne comprennent pas les données pour les lampes ou les luminaires fixés au ventilateur de plafond.

FCC Information

Cet appareil est conforme à la section 15 de la réglementation de la FCC. L'exploitation est soumise aux deux conditions suivantes :

1) Cet équipement ne doit pas causer d'interférences nuisibles, et

2) Cet équipement doit accepter toute interférence reçue, y compris les interférences risquant d'engendrer un fonctionnement indésirable.

Remarque : Des tests ont confirmé que ce matériel respecte les limites d'un dispositif numérique de catégorie B, en vertu de la section 15 de la réglementation de la FCC. Ces limites ont été conçues pour fournir une protection raisonnable contre le brouillage nuisible d'une installation résidentielle. Cet équipement génère, utilise et peut rayonner de l'énergie radiofréquence et, s'il n'est pas installé et utilisé selon les instructions, peut causer de l'interférence nuisible aux communications de radio. Cependant, il est néanmoins possible qu'il y ait de l'interférence dans une installation en particulier. Si cet équipement cause du brouillage nuisible à la réception du signal de radio ou de télévision, ce qui peut être déterminé en éteignant puis en rallumant l'appareil, l'utilisateur peut essayer de corriger l'interférence en appliquant une des mesures suivantes :

- Réorienter l'antenne de réception ou changer son emplacement.
- Augmenter la distance séparant l'équipement et le récepteur.
- Brancher le matériel dans la prise de courant d'un circuit différent de celui auquel le récepteur est branché.
- Consulter le revendeur ou un technicien radio/télé d'expérience.

KICHLER®

www.kichler.com

KICHLER® LIGHTING

7711 EAST PLEASANT VALLEY ROAD CLEVELAND, OHIO

CLEVELAND, OHIO 44131

SERVICE À LA CLIENTÈLE 866.558.5706

De 08h à 17h (heure normale de l'Est), du lundi au vendredi

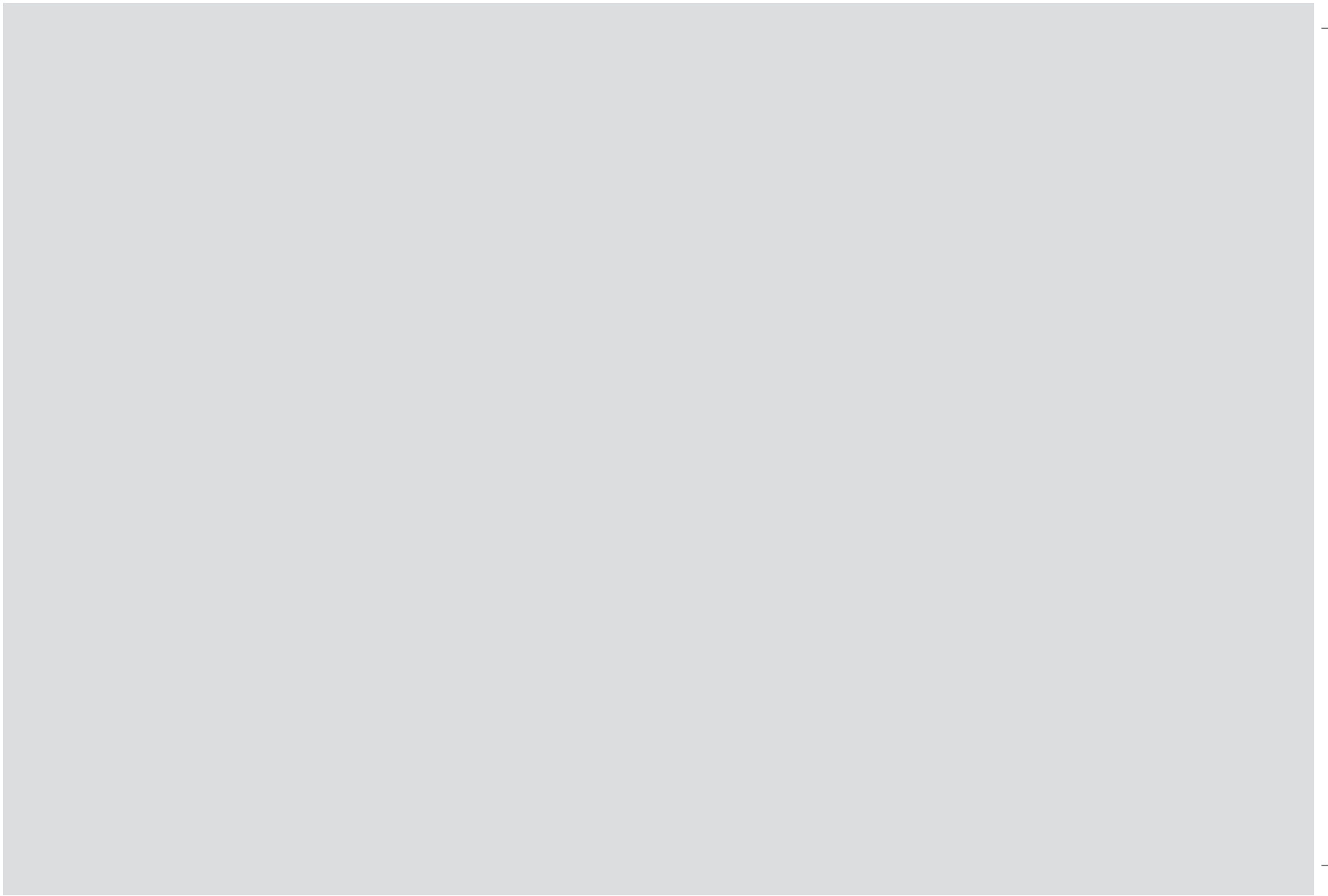
KICHLER®

VENTILADOR CON LED HATTERAS BAY™

Las imágenes del producto pueden variar levemente respecto del producto real.



MANUAL DE INSTRUCCIONES



ÍNDICE

NORMAS DE SEGURIDAD.....	4	INSTALANDO LA PLACA DE LUZ Y LA LENTE DE CRISTAL.....	16
HERRAMIENTAS REQUERIDAS.....	5	INSTALANDO LAS BATERÍAS.....	17
CONTENIDO DEL ENVASE.....	5	INSTRUCCIONES DE OPERACIÓN.....	17
OPCIONES DE MONTAJE.....	6	INSTALACIÓN DE LA PLACA DE PARED DEL SISTEMA DE CONTROL COOLTOUCH™.....	18
COLGANDO EL VENTILADOR.....	7	INSTALANDO EL TRANSMISOR.....	19
INSTALACIÓN DEL SOPORTE DE SEGURIDAD.....	11	INSTRUCCIONES DE OPERACIÓN.....	20
CONEXIONES ELÉCTRICAS.....	12	LOCALIZACIÓN Y RESOLUCIÓN DE PROBLEMAS.....	21
ACABADO DE LA INSTALACIÓN.....	14	ESPECIFICACIONES.....	22
COLOCACIÓN DE LAS HOJAS DEL VENTILADOR.....	15	INFORMACIÓN DE LA FCC.....	22
INSTALANDO EL ACCESORIO DE LUZ.....	15		

NORMAS DE SEGURIDAD

1. Para reducir el riesgo de sufrir una descarga eléctrica, asegúrese de deshabilitar el circuito o cortar la electricidad de la caja de fusibles antes de comenzar.
2. Todos los cableados deben cumplir con el Código Nacional de Electricidad (NEC) y con los códigos de electricidad locales. Las instalaciones eléctricas deben ser realizadas por electricistas calificados con licencia.
3. **ADVERTENCIA:** Para reducir el riesgo de incendio, descarga eléctrica o lesiones personales use los tornillos de montaje provistos con la caja de salida. La mayoría de las cajas de salida comúnmente utilizadas para el soporte de las lámparas no son aceptables para el soporte del ventilador y pueden necesitar ser reemplazadas. Debido a la complejidad de la instalación de este ventilador, se recomienda encarecidamente a un electricista calificado.

ADVERTENCIA

PARA REDUCIR EL RIESGO DE INCENDIO, DESCARGA ELÉCTRICA O LESIONES, MONTAR EL VENTILADOR EN UN TOMACORRIENTE CERTIFICADO "PARA SOPORTE DE VENTILADORES"

4. La estructura del tomacorriente y el soporte deben estar montados de manera segura y ser capaces de soportar un mínimo de 50 libras de manera confiable. Use solo tomacorrientes certificados CUL "PARA SOPORTE DE VENTILADORES".
5. El ventilador debe montarse a una distancia mínima de 7 pies entre la cola de las aspas y el piso.
6. Para operar la función de retroceso en este ventilador, presione el botón de retroceso mientras el ventilador está funcionando.
7. Evite colocar objetos en el camino de las aspas.

8. Para evitar lesiones o daños al ventilador u otros objetos, sea cuidadoso al trabajar cerca del ventilador o limpiarlo.
9. No usar agua o detergentes para limpiar el ventilador o las aspas. Usar un paño seco o levemente húmedo para limpiarlo.
10. Después de hacer las conexiones eléctricas, los conductores empalmados deben girarse hacia arriba y empujarse con cuidado hacia la caja de salida. Los cables deben separarse con el cable de tierra y el cable blanco (común) a un lado con el cable negro (carga) al otro lado de la caja de salida.
11. Los diagramas eléctricos son solo de referencia. Los kits de luces que no están empacados con el ventilador deben estar en la lista CUL y marcados como adecuados para usar con el modelo de ventilador que está instalando. Los interruptores deben ser interruptores de uso general CUL. Consulte las Instrucciones incluidas con los kits de luz y los interruptores para un montaje adecuado.

ADVERTENCIA

PARA REDUCIR EL RIESGO DE LESIONES, NO DOBLAR LOS SOPORTES DE LAS ASPAS (PESTAÑAS) DURANTE EL ENSAMBLAJE O DESPUÉS DE LA INSTALACIÓN. NO COLOCAR OBJETOS EN EL CAMINO DE LAS ASPAS.

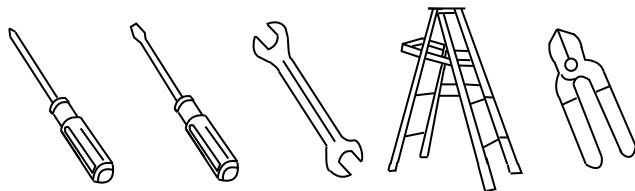
Aviso Especial

Este aparato está equipado con un "Dispositivo de limitación de potencia" requerido por el Departamento de Energía de los Estados Unidos. El dispositivo se instaló en la fábrica y no se puede quitar.

La instalación de lámparas de más de 75 vatios totales deshabilitará la lámpara de la unidad. Si esto sucede, deberá reiniciar el dispositivo de iluminación apagando el ventilador de techo y / o el dispositivo de iluminación, reinstalando las lámparas con un total de menos de 75 vatios y luego volviendo a encenderlo.

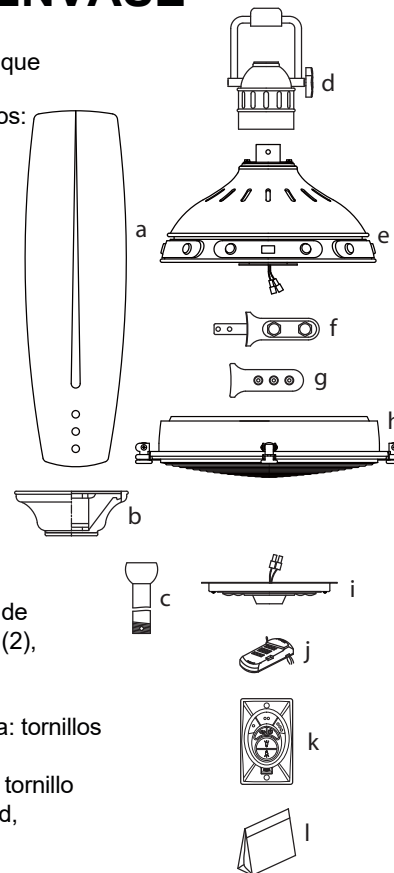
HERRAMIENTAS REQUERIDAS CONTENIDO DEL ENVASE

Destornillador Philips
 Destornillador plano
 Llave de 11 mm
 Escalera
 Cortacables



Retire el ventilador de la caja y verifique que estén todos sus componentes. La caja debería contener los siguientes elementos:

- a. Aspas del ventilador (5)
- b. Soporte de techo y techo
- c. Conjunto de bola / varilla
- d. Cubierta de acoplamiento
- e. Ensamblaje del motor del ventilador
- f. Conjunto de soportes de cuchilla (5)
- g. Medallones de soporte de cuchilla (5)
- h. Lámpara
- i. Kit de luz LED de 23W
- j. Receptor
- k. Sistema de control CoolTouch™
- l. Contenido de la bolsa de parte



- a) Hardware de montaje:
 arandelas de estrella (2), tuercas de alambre (3), tornillos de máquina (2), arandelas (2), tornillos (2)
- b) Junta de goma
- c) Hardware de fijación de la cuchilla: tornillos (17), arandelas de goma (17)
- d) Hardware de cable de seguridad: tornillo de madera, arandela de seguridad, arandela plana
- e) Kit de equilibrio

OPCIONES DE MONTAJE

Si no hay ninguna caja de montaje existente con certificación UL (cUL para instalación en Canadá), entonces lea las siguientes instrucciones. Desconecte el suministro de energía eléctrica retirando los fusibles o apagando los disyuntores.

Sujete la caja de distribución directamente a la estructura de la construcción. Utilice tornillos de fijación y materiales de construcción adecuados. La caja de distribución eléctrica y su soporte deben ser capaces de soportar completamente el peso en movimiento del ventilador (por lo menos 50 libras). No utilice cajas de distribución eléctrica de plástico.

Las **figuras 1, 2 y 3** son ejemplos de diferentes formas de montaje de la caja de distribución.

NOTA: Si usted está instalando el ventilador de techo en un cielorraso cóncavo (abovedado), es posible que necesite un vástago de extensión más largo para mantener la separación adecuada entre el extremo de las aspas y el techo. Se recomienda una separación de 12" para un funcionamiento óptimo.

NOTA: Dependiendo del lugar que haya seleccionado para la instalación, es posible que usted necesite comprar e instalar un "colgante de viga" para el soporte de la caja de distribución eléctrica. Asegúrese de que el colgante de viga que compre se haya diseñado para uso con ventiladores de techo. (**Fig. 4**)

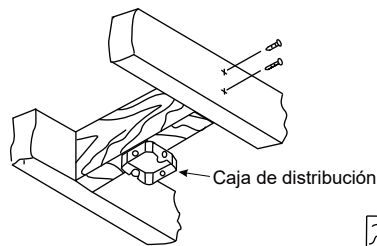


Fig. 1

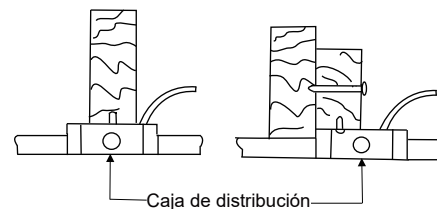


Fig. 2

CIELORRASO EN ÁNGULO, MÁXIMO DE 20°

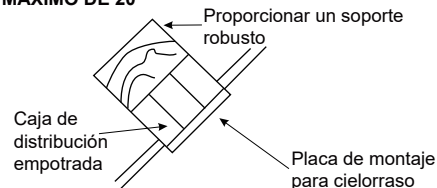


Fig. 3

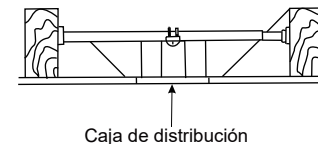


Fig. 4

COLGANDO EL VENTILADOR

NOTA: Este ventilador de techo se suministra con dos tipos de conjuntos colgantes; un sistema de montaje de techo y techo y un sistema SOLO de dosel "cerca del techo". Se recomienda la instalación "cerca del techo" en habitaciones con techos de menos de 8 pies o en áreas donde se desea espacio adicional desde el piso hasta las aspas del ventilador. Una vez que haya seleccionado qué sistema de montaje utilizará, continúe con las siguientes instrucciones. Cuando sea necesario, cada sección de las instrucciones indicará los diferentes procedimientos a seguir para los dos tipos de montaje.

RECUERDE apagar la alimentación antes de comenzar. Para instalar correctamente su ventilador de techo, siga los pasos a continuación.

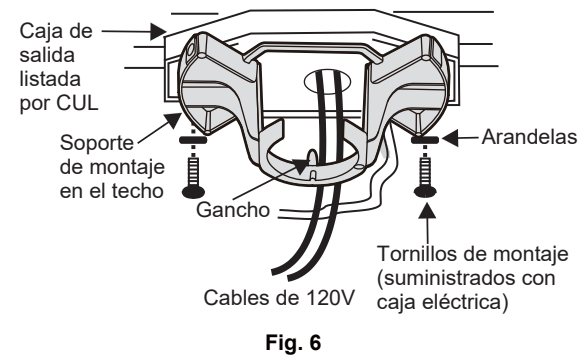
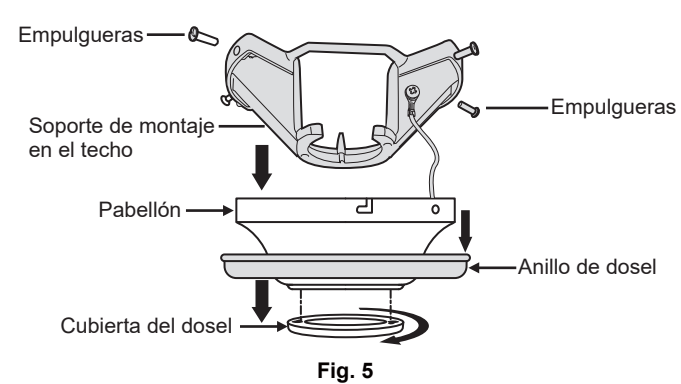
Paso 1. Retire la cubierta inferior del dosel decorativo del dosel. (Fig. 5)

Paso 2. Retire la cubierta decorativa del tornillo de montaje de la cubierta y afloje los cuatro tornillos en la parte superior de la cubierta. Retire los dos tornillos sin ranura y afloje los tornillos ranurados. Esto le permitirá quitar el soporte de montaje en el techo. (Fig. 5)

Paso 3. Retire el soporte de montaje del techo del dosel aflojando los dos tornillos en la parte inferior del soporte de montaje del techo. Gire el dosel en sentido antihorario y retírelo. (Fig. 5)

Paso 4. Pase los cables de suministro de 120 voltios desde la caja de salida del techo a través del centro del soporte de montaje en el techo. (Fig. 6)

Paso 5. Fije el soporte de montaje en el techo a la caja de salida con los tornillos y arandelas incluidos con la caja de salida. (Fig. 6)



INSTALACIÓN ESTÁNDAR DE TECHO

Paso 1. Retire la bola de suspensión del conjunto de la varilla aflojando el tornillo de fijación, retirando el pasador transversal y deslizando la bola fuera de la varilla. (Fig. 7)

Paso 2. Afloje los dos tornillos de fijación y retire el pasador de enganche y el clip de retención del acoplamiento en la parte superior del conjunto del motor. (Fig. 7)

Paso 3. Alimente cuidadosamente los cables conductores eléctricos desde el ventilador a través de la varilla. Enrosque la varilla en el acoplamiento hasta que los orificios del pasador de enganche estén alineados.

Luego, reemplace el pasador de enganche y el clip de retención. Apriete ambos tornillos de fijación. (Fig. 7)

Paso 4. Deslice la cubierta del acoplamiento, la cubierta de la cubierta, la cubierta del tornillo de montaje decorativo y la cubierta sobre la varilla.

Enrosque la bola de suspensión en la varilla, inserte el pasador transversal a través de la varilla y apriete. Ahora apriete el tornillo de fijación. (Fig. 7)

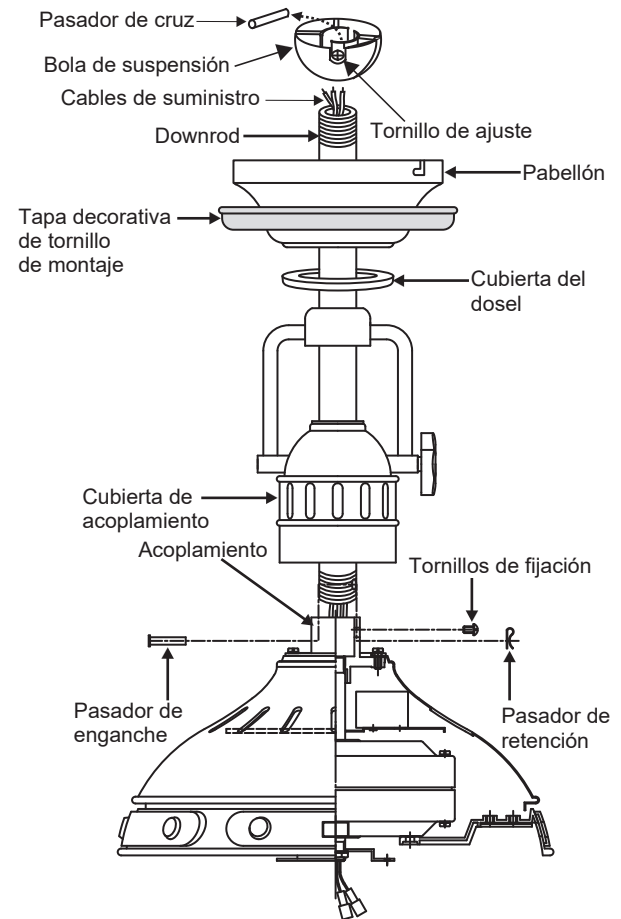


Fig. 7

INSTALACIÓN ESTÁNDAR DE TECHO (continuación)

Paso 5. Levante el conjunto del motor a su posición y coloque la bola de suspensión en el soporte de montaje en el techo.

Gire todo el conjunto hasta que la "pestaña de verificación" haya caído en la "ranura de registro" y se asiente firmemente. (**Fig. 8**)

Todo el conjunto del motor no debe girar (izquierda o derecha) cuando se asienta correctamente.

ADVERTENCIA: Si no se asienta correctamente la "pestaña de verificación" puede dañar el ventilador de techo durante el funcionamiento.

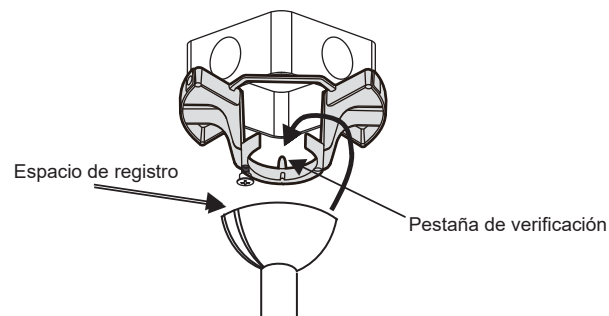


Fig. 8

INSTALACIÓN CERCA DEL TECHO

Paso 1. Retire tres de los seis tornillos y arandelas de seguridad (cada uno) del collar en la parte superior del conjunto del motor. Coloque el dosel del ventilador de techo y la junta de goma sobre el collar y alinee los orificios de montaje con los orificios del collar. Fije el dosel y la junta de goma con los tres tornillos y las arandelas de seguridad que retiró anteriormente. (Fig. 9)

ADVERTENCIA: Si no aprieta completamente los tres tornillos de montaje en el paso 9, el ventilador podría caerse del techo.

Paso 2. Empuje la cubierta decorativa del tornillo de montaje hacia abajo y hacia afuera de la cubierta dejando que descansa sobre la carcasa del motor (Fig. 10) y cuelgue el ventilador en el soporte de montaje en el techo insertando el gancho en el borde interior del soporte de montaje en el techo a través de uno de los orificios para tornillos en la cubierta del techo (Fig. 10). Esto le permitirá tener ambas manos libres para realizar las conexiones de cableado.

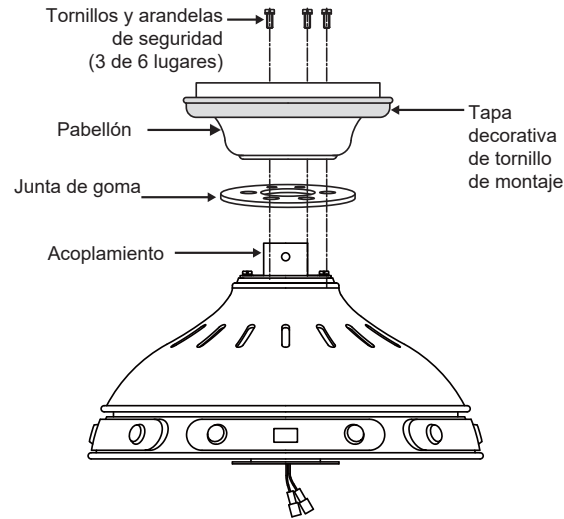


Fig. 9

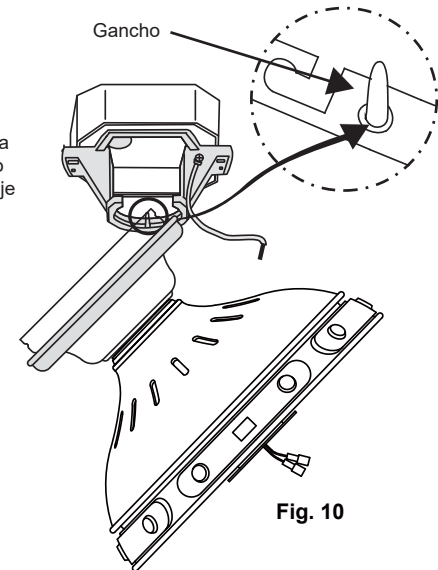


Fig. 10

INSTALACIÓN DEL SOPORTE DE SEGURIDAD

(SE REQUIERE ÚNICAMENTE PARA SU INSTALACIÓN EN CANADÁ)

Se incluye un cable de soporte de seguridad que contribuye a evitar que el ventilador de techo se caiga, instálelo de la siguiente manera.

Paso 1. Inserte el tirafondo y arandelas proporcionados en el colgante de viga junto al soporte de montaje, pero no ajuste. (**Fig. 11**)

Paso 2. Ajuste la longitud del cable de seguridad para alcanzar el tornillo y las arandelas jalando todo el cable extra a través del sujetacables hasta que la longitud total sea la correcta; coloque el extremo del cable hacia atrás a través del sujetacables, formando un bucle al final del cable. Ajuste el sujetacables con firmeza. Ahora, coloque el bucle al final del cable de seguridad por encima del tirafondo y por debajo de la arandela. Ajuste bien el tirafondo.

NOTA: Aunque el cable de soporte de seguridad se requiere únicamente para instalaciones en Canadá, se recomienda su uso con cualquier instalación.

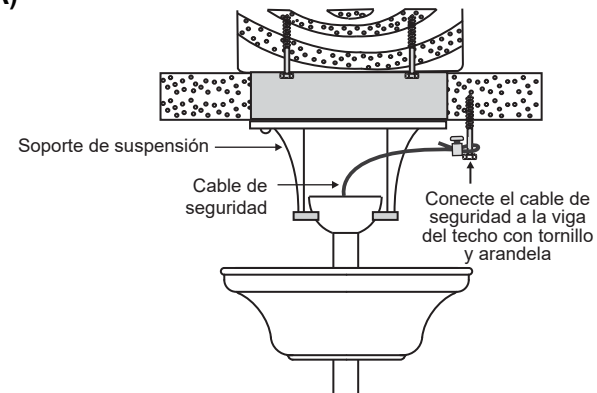


Fig. 11

CONEXIONES ELÉCTRICAS

ADVERTENCIA: Para evitar una posible descarga eléctrica, asegúrese de haber apagado la alimentación en el panel del circuito principal.

Siga los pasos a continuación para conectar el ventilador al cableado de su hogar. Use las tuercas de conexión de cable que se incluyen con su ventilador. Asegure los conectores con cinta aislante. Asegúrese de que no haya hilos o conexiones sueltas.

NOTA: El sistema de control CoolTouch™ está equipado con 16 combinaciones de frecuencia posibles para evitar interferencias de o con otras unidades de control remoto. Los interruptores de frecuencia en su receptor y transmisor han sido preajustados en fábrica. Vuelva a verificar para asegurarse de que los interruptores del transmisor y el receptor estén en la misma posición, cualquier combinación de configuraciones hará funcionar el ventilador siempre que el transmisor y el receptor estén en la misma posición. **(Fig. 12)**

Paso 1. Inserte el receptor en el soporte de montaje del techo con el lado plano del receptor hacia el techo. **(Fig. 13)** Para un mejor rendimiento, asegúrese de que la Antena Negra, en el extremo del receptor, permanezca extendida y sin enredarse con ninguno de los cables eléctricos.

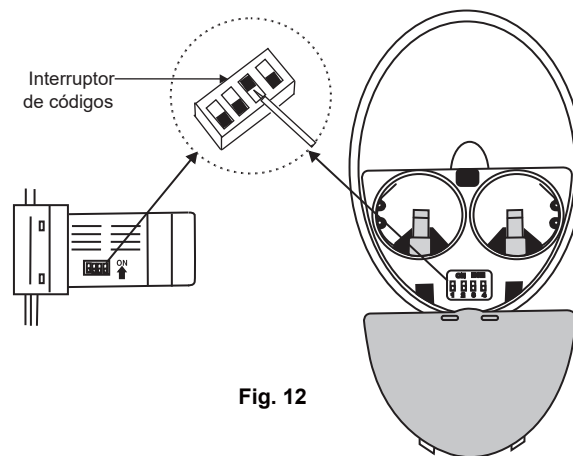


Fig. 12

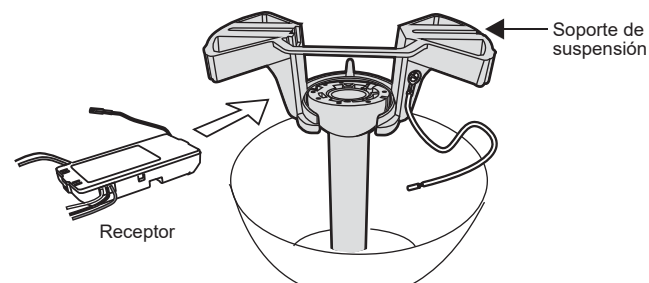


Fig. 13

CONEXIONES ELÉCTRICAS (continuación)

Paso 2. Conexiones eléctricas del motor al receptor: (Fig. 14)
Conecte el cable negro del ventilador al cable negro marcado como "TO MOTOR L" (AL MOTOR L) del receptor. Conecte el cable blanco del ventilador al cable blanco marcado como "TO MOTOR N" (AL MOTOR N) del receptor. Conecte el cable azul del ventilador al cable azul marcado como "FOR LIGHT" (PARA ILUMINACIÓN) del receptor.

Asegure las conexiones de cables con las tuercas plásticas para cable proporcionadas.

Paso 3. (Fig. 14) Conexiones eléctricas del receptor a los cables de alimentación del hogar: Conecte el cable negro (caliente) del cielorraso al cable negro marcado como "AC in L" (CA en L) del receptor. Conecte el cable blanco (neutro) del cielorraso con el cable blanco marcado como "AC in N" (CA en N) del receptor. Asegure las conexiones de cables con las tuercas plásticas para cable proporcionadas.

Paso 4. Conecte el cable a tierra (verde o cobre desnudo) de la caja de salida al cable a tierra en el soporte de montaje en el techo y el cable a tierra del ventilador de techo. Después de hacer todas las conexiones, separe las conexiones de cable blanco y verde a un lado y las conexiones de cable negro al otro lado de la caja de salida.

NOTA: El ventilador debe instalarse a una distancia mínima de 30 pies del transmisor de pared para lograr una transmisión óptima de la señal entre el transmisor y la unidad receptora del ventilador.

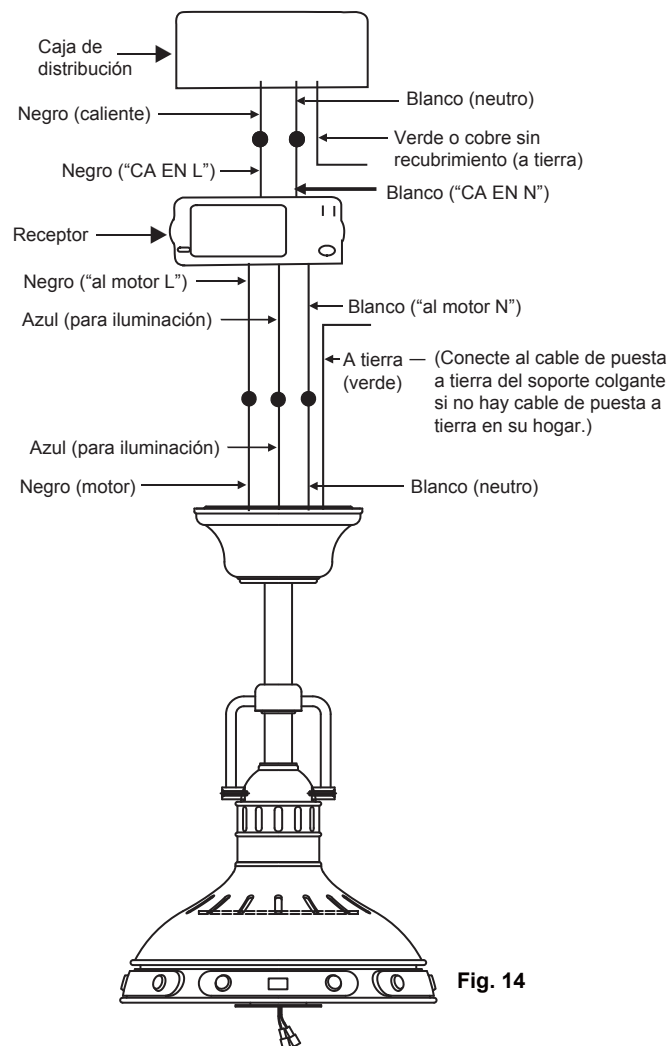


Fig. 14

ACABADO DE LA INSTALACIÓN

INSTALACIÓN DE TECHO ESTÁNDAR

Paso 1. Meta todas las conexiones perfectamente en la caja de salida del techo.

Paso 2. Deslice el dosel hacia el techo y fije el dosel al soporte de montaje del techo con 4 tornillos en el borde superior del soporte de montaje. Inserte cada tornillo a través del orificio de montaje del dosel y en el soporte de montaje. Deslice la cubierta del dosel hasta el dosel y gire en sentido horario hasta que quede apretado. Apriete todos los tornillos de forma segura. (Fig. 15)

Paso 3. Deslice la cubierta decorativa del tornillo de montaje hacia arriba para cubrir las cabezas de los tornillos de montaje.

INSTALACIÓN CERCA DEL TECHO

Retire el ventilador del gancho en el soporte de montaje en el techo. Fije el conjunto del ventilador al soporte de montaje en el techo con 4 tornillos en el borde superior de la cubierta. Inserte cada tornillo a través del orificio de montaje del dosel y en el soporte de montaje. Apriete todos los tornillos de forma segura.

Deslice la cubierta decorativa del tornillo de montaje hacia arriba para cubrir las cabezas de los tornillos de montaje. (Fig. 16)

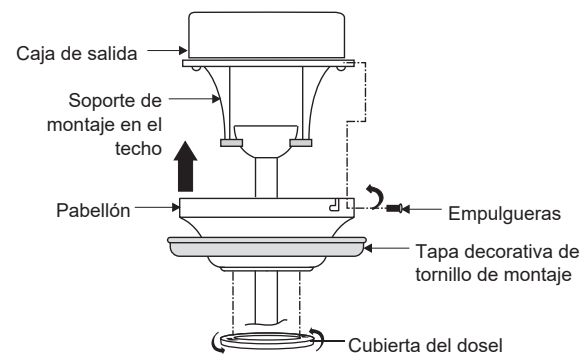


Fig. 15

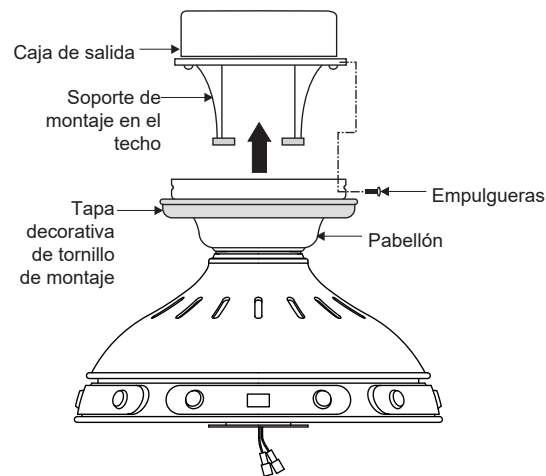


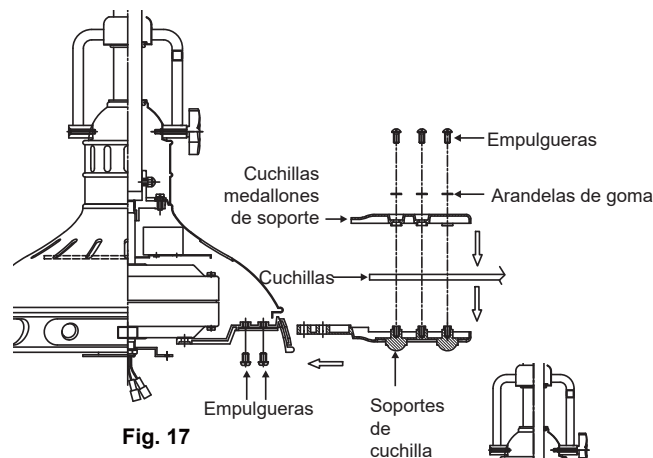
Fig. 16

COLOCACIÓN DE LAS HOJAS DEL VENTILADOR

Paso 1. Coloque una cuchilla entre un soporte de cuchilla y un medallón de soporte de cuchilla. Fije las tres piezas con los tornillos y arandelas de fibra provistas. (Fig. 17)

Asegúrese de que la cuchilla esté recta cuando se coloque en el soporte de la cuchilla y el medallón. Apriete cada tornillo de montaje y luego repita este procedimiento para cada cuchilla.

Paso 2. Fije cada conjunto de cuchillas al motor usando dos tornillos de montaje para cada conjunto de cuchillas. (Fig. 17) **NOTA:** Asegúrese de que estos tornillos de montaje estén bien apretados.



INSTALANDO EL ACCESORIO DE LUZ

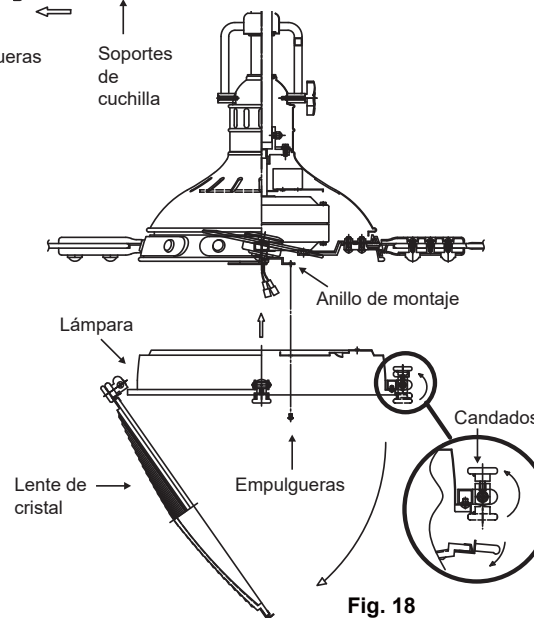
Paso 1. Afloje los dos tornillos en el anillo de montaje unido al eje del motor y "retire" y guarde el tercer tornillo. (Fig. 18)

Paso 2. Afloje los candados en un lado de la lámpara permitiendo que se abra el soporte de la lente.

Paso 3. Coloque las ranuras del orificio de la llave en la lámpara sobre los dos tornillos que se aflojaron previamente en el anillo de montaje.

Gire la lámpara hasta que quede fija en su lugar en la sección estrecha de las ranuras para agujeros de llave.

Apriete los dos tornillos del orificio de la llave y vuelva a colocar el tercer tornillo que retiró anteriormente y apriete firmemente.



INSTALANDO LA PLACA DE LUZ Y LALENTE DE CRISTAL

Paso 1. Afloje los tres tornillos de montaje en el interior de la lámpara y "quite" y guarde el cuarto tornillo. (Fig. 19)

Paso 2. Mantenga la placa de luz cerca de la lámpara y conecte los cables blancos de la placa de luz y el ventilador. Siga el mismo procedimiento con los conectores de cable negro. (Fig. 19)

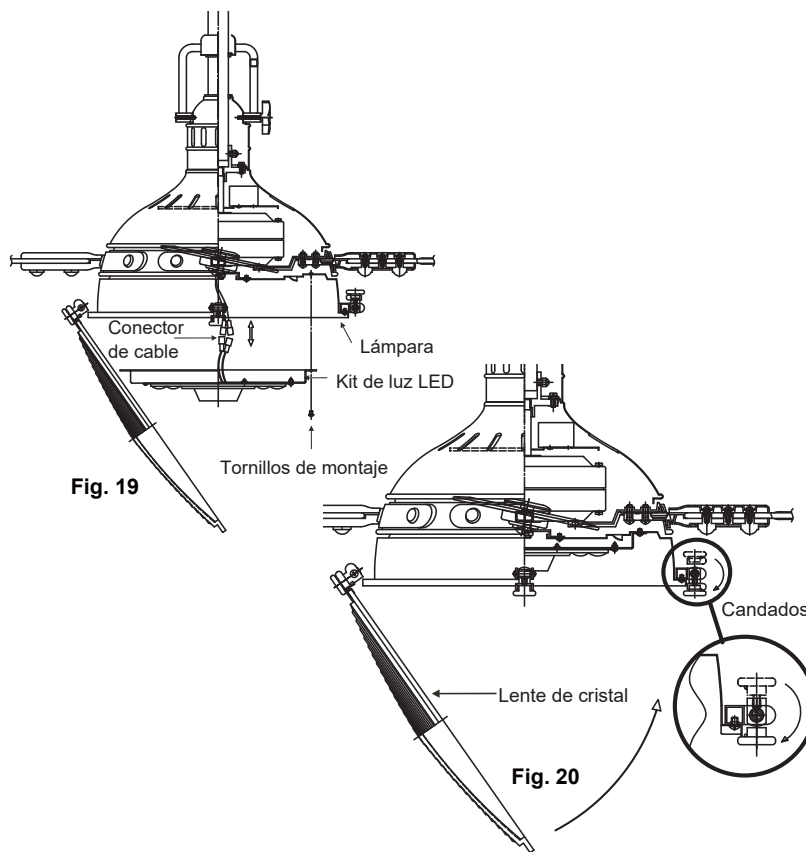
Paso 3. Meta las conexiones perfectamente en la lámpara.

NOTA: Tenga cuidado de no pellizcar los cables de la placa de luz entre la placa de luz y la lámpara.

Paso 4. Coloque las ranuras del orificio de la llave de la placa de la luz sobre los tres tornillos previamente aflojados en la lámpara y gire la placa de la luz hasta que encaje en su lugar en la sección estrecha de las ranuras del orificio de la llave. Apriete los tres tornillos del orificio de la llave y vuelva a colocar el cuarto tornillo que retiró anteriormente y apriete firmemente. (Fig. 19)

Levante con cuidado la lente de la lámpara sobre el soporte de la lente, alinee el borde y cierre la lámpara.

NOTA: Asegúrese de que los candados y apriete para evitar que el soporte de la lente se caiga (Fig. 20)



INSTALANDO LAS BATERÍAS

Retire la tapa del compartimento de la batería en la parte posterior del transmisor CoolTouch™ e inserte ambas baterías provistas. Asegúrese de que el signo + esté hacia arriba.

Tenga cuidado durante este procedimiento para NO mover los interruptores DIP de frecuencia dentro de este compartimiento. La configuración DEBE permanecer igual que la configuración en el receptor para una comunicación adecuada con el sistema de control.

Es una buena idea quitar estas baterías si su ventilador no se usa durante largos periodos de tiempo (meses).

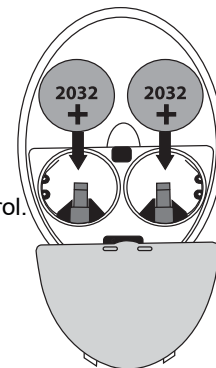


Fig. 21

INSTRUCCIONES DE OPERACIÓN

Restablezca la energía del ventilador de techo y pruebe que funcione correctamente.

Botones ●, ●●, y ●●●:

Estos tres botones se utilizan para configurar la velocidad del ventilador de la siguiente manera:

- = Alta velocidad
- = Velocidad media
- = Baja velocidad

⏻ botón: Este botón apaga el ventilador.

El botón "💡" y "🔦":

El botón "💡" enciende o apaga la luz superior y también controla la configuración de brillo. El botón "🔦" enciende o apaga la luz inferior y también controla la configuración de brillo.

Mantenga presionado cualquier botón para establecer el nivel de brillo deseado. La próxima vez que encienda la luz, el sistema recordará esta configuración.

Presione y suelte cualquiera de los botones para encender o apagar la luz.

El botón "↻" se utiliza para configurar el ventilador en funcionamiento hacia adelante o hacia atrás. Cada vez que presione este botón, las aspas del ventilador cambiarán de dirección. Este botón funciona SOLO cuando las aspas del ventilador están en funcionamiento.

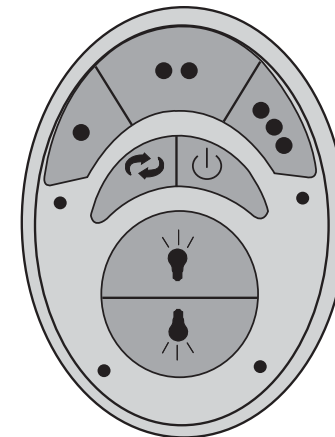


Fig. 22

INSTALACIÓN DE LA PLACA DE PARED DEL SISTEMA DE CONTROL COOLTOUCH™

NOTA: Todo el cableado debe estar de acuerdo con el Código Eléctrico Nacional y los códigos eléctricos locales. La instalación eléctrica debe ser realizada por un electricista calificado y con licencia.

Seleccione una ubicación para instalar su transmisor del sistema de control CoolTouch™. Puede reemplazar un interruptor de pared existente o instalar el transmisor en CUALQUIER superficie plana.

Opción 1: Instale el sistema de control usando una caja de salida de interruptor de pared existente. Asegúrese de que la energía eléctrica esté APAGADA en el panel principal antes de continuar.

NOTA: La instalación del interruptor debe cumplir con todos los códigos eléctricos locales y nacionales.

Paso 1. Retire la placa de pared existente y el interruptor viejo de la caja de salida de pared. Alambre tuerca los cables NEGROS (caliente) juntos y empuje hacia atrás dentro de la caja de salida. (Fig. 23)

Paso 2. Instale la placa de metal y la placa de pared CoolTouch™ en la caja de salida de pared existente con 4 tornillos provistos. Luego coloca los dos plásticos se conecta a la placa de pared. (Fig. 24)

Opción 2: Instale el sistema de control en CUALQUIER superficie plana.

Seleccione la ubicación deseada y use la placa de pared CoolTouch™ para marcar la ubicación de los orificios de montaje. Use los anclajes de pared seca y / o los tornillos provistos y termine la instalación.

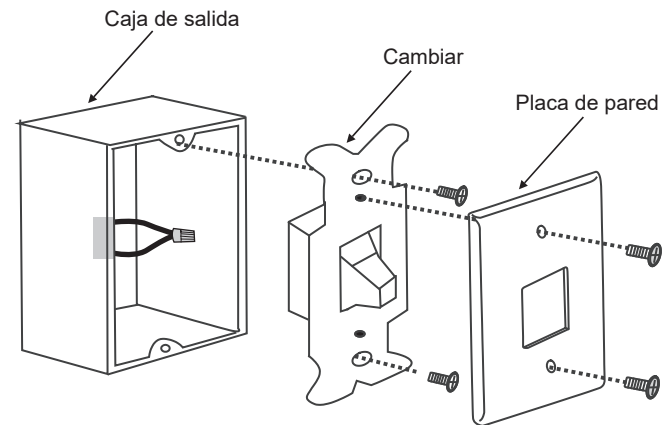


Fig. 23

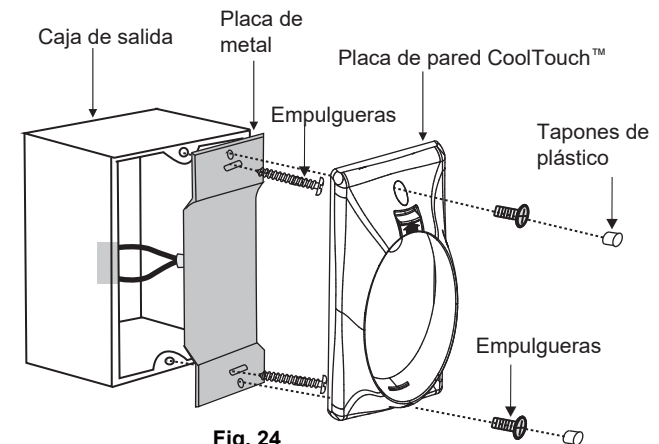


Fig. 24

INSTALANDO EL TRANSMISOR

Paso 1. Inserte el transmisor en la placa de pared insertando primero la parte inferior del transmisor y luego presione la parte superior del transmisor en el bolsillo. El transmisor funcionará completamente desde esta ubicación o puede quitar el transmisor y usarlo como un dispositivo "portátil". (**Fig. 25**)

Paso 2. Para retirar el transmisor de la placa de pared, presione el botón de liberación y el transmisor caerá en su mano.

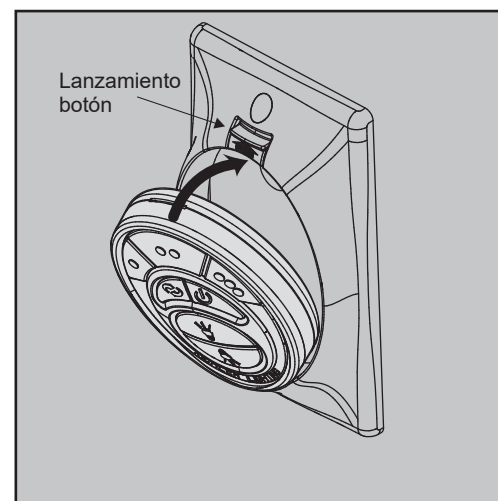


Fig. 25

INSTRUCCIONES DE OPERACIÓN

NOTA: Para operar la función de retroceso en este ventilador, presione el botón de retroceso mientras el ventilador está funcionando.

Clima cálido: hacia adelante (en sentido antihorario) Un flujo de aire hacia abajo crea un efecto de enfriamiento como se muestra en la **Fig. 26**. Esto le permite configurar su aire acondicionado en un ambiente más cálido sin afectar su comodidad.

Clima fresco: retroceso (en sentido horario) Un flujo de aire ascendente mueve el aire caliente del área del techo como se muestra en la **Fig. 27**. Esto le permite configurar su unidad de calefacción en una configuración más fresca sin afectar su comodidad.

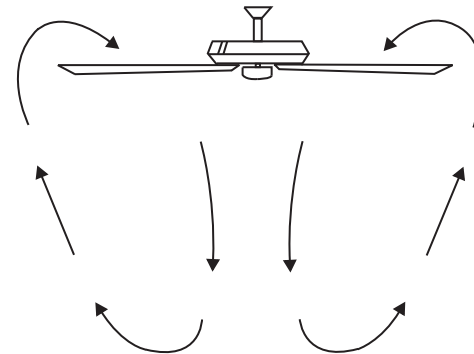


Fig. 26

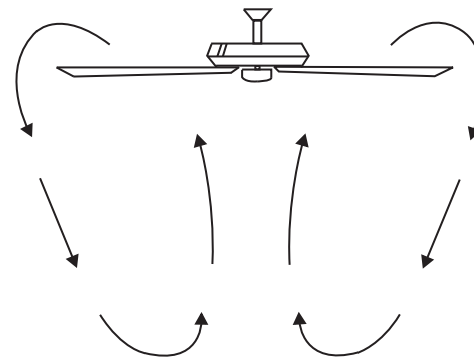


Fig. 27

LOCALIZACIÓN Y RESOLUCIÓN DE PROBLEMAS

Problema	Solución
El ventilador no arranca.	<ol style="list-style-type: none">1. Controle el funcionamiento de los fusibles de circuito o los disyuntores.2. Verifique todas las conexiones eléctricas para asegurar el debido contacto. PRECAUCIÓN: Asegúrese de que la corriente principal esté DESCONECTADA al verificar cualquier conexión eléctrica.3. Asegúrese de que las baterías del transmisor estén instaladas correctamente (Positivo + lado hacia afuera), y que las baterías estén bien cargadas.
El ventilador hace mucho ruido.	<ol style="list-style-type: none">1. Asegúrese de que todos los tornillos de la caja del motor estén ajustados.2. Asegúrese de que los tornillos que sujetan los soportes de las aspas del ventilador al motor estén ajustados.3. Asegúrese de que las conexiones empalmadas con conectores no se rocen entre sí o contra la pared interna de la caja de interruptores. PRECAUCIÓN: Asegúrese de que la corriente principal esté desconectada.4. Se requiere un lapso de “adaptación” de 24 horas. La mayoría de los ruidos asociados con un nuevo ventilador desaparecen en este lapso.5. Si se utiliza un kit de iluminación opcional, asegúrese de que los tornillos que sujetan las piezas de vidrio estén ajustados. Asegúrese de que las bombillas de luz no estén tocando ningún otro componente.6. No conecte el ventilador a un control o controles de velocidad variable de pared. No son compatibles con los motores de los ventiladores de techo o los controles remotos.7. Asegúrese de que la cubierta superior esté cerca del techo. No debe tocar el techo.
El ventilador tambalea.	<ol style="list-style-type: none">1. Verifique que todos los tornillos de las aspas y de los brazos de las aspas estén ajustados.2. La mayoría de los problemas de tambaleo de los ventiladores son provocados por la desigualdad de los niveles de las aspas. Verifique este nivel seleccionando un punto en el techo por encima del extremo de una de las aspas. Mida esta distancia. Haga girar el ventilador hasta posicionar la siguiente aspa para su medición. Repita con cada aspa. La desviación de la distancia debe ser igual dentro de 1/8 de pulgada.3. Utilice el kit de equilibrio de la cuchilla adjunto si la oscilación de la cuchilla aún se nota.4. Si el tambaleo de las aspas aún puede apreciarse, el intercambio de dos aspas adyacentes (una junto a la otra) permite redistribuir el peso y posiblemente resulte en un mejor funcionamiento.
Mal funcionamiento del control remoto.	<ol style="list-style-type: none">1. Los ventiladores de techo con sistemas de control remoto NO SE PUEDEN operar en conjunto con ningún otro sistema de control EXCEPTO un interruptor de encendido /apagado de pared básico, si se desea.2. Asegúrese de que los interruptores DIP de frecuencia en el transmisor y el receptor tengan configuraciones idénticas.3. Asegúrese de que la antena negra del receptor NO esté enredada con ningún otro cable eléctrico y que se extienda alrededor del interior de la cubierta del techo.

ESPECIFICACIONES

Tamaño	Velocidad	Voltios	Amps	Vatios	RPM	CFM	CFM/W	N.W.	G.W.	C.F.
52"	Alto	120	0.67	80.9	143	5390.13	66.63	14 kgs	15 kgs	3.05'
	Medio	120	0.52	38.9	95	3577.70	91.97			
	Bajo	120	0.35	15.0	47	1646.21	109.75			

Estas son medidas aproximadas. No incluyen datos de ninguna lámpara o accesorio conectado al ventilador de techo.

Información de la FCC:

Este dispositivo cumple con la parte 15 de las Reglas de la FCC. La operación es sujeto a las dos condiciones siguientes:

1) Este dispositivo no puede causar interferencia dañina, y

2) Este dispositivo debe aceptar cualquier interferencia recibida, incluyendo interferencias que puedan causar un funcionamiento no deseado.

Nota: Este equipo ha sido probado y cumple con los límites para un dispositivo digital de Clase B, de acuerdo con la parte 15 de las Reglas de la FCC. Estos límites están diseñados para proveer protección razonable contra interferencias dañinas en una instalación residencial. Este equipo genera, utiliza y puede irradiar energía de radiofrecuencia y, si no se instala y utiliza de acuerdo con las instrucciones, puede causar interferencias en las comunicaciones por radio. Sin embargo, no hay garantizar que no se produzcan interferencias en una instalación en particular. Si este equipo causa interferencia perjudicial a la recepción de radio o televisión, que puede determinarse encender y apagar el equipo, se recomienda al usuario que intente corregir la interferencia mediante una o más de las siguientes medidas:

- Reorientar o reubicar la antena receptora.
- Aumente la separación entre el equipo y el receptor.
- Conecte el equipo a una toma de corriente en un circuito distinto al que está conectado el receptor.
- Consulte al distribuidor oa un técnico de radio / TV experimentado para obtener ayuda.

KICHLER®

www.kichler.com

KICHLER® LIGHTING

7711 EAST PLEASANT VALLEY ROAD

CLEVELAND, OHIO 44131

SERVICIO DE ATENCIÓN AL CLIENTE 866.558.5706

8:00 AM A 5:00 PM HORA DEL ESTE, DE LUNES A VIERNES