

3 SPEED WALL REMOTE CONTROL INSTALLATION INSTRUCTIONS

WARNING

To avoid fire, shock and serious personal injury, follow these instructions:

1. Carefully read and retain this Instruction Manual for future reference.
2. To avoid possible electrical shock, be sure the electricity is turned off at the main panel by removing the fuse or opening the circuit breaker.
3. This control switch is designed for use with "Ceiling Fans" ONLY. DO NOT use with any other type of electrical appliance.
4. All wiring must conform to national and local electrical codes. If you feel you do not have enough electrical knowledge, have a licensed electrician install the control.
5. The amperage for your fan should not exceed 5A.

INSTALLATION AND OPERATING INSTRUCTIONS

1. SETTING THE CODE

Remove cover by snapping off from top or bottom.

This unit has 16 different code combinations. To set the code, perform these steps:

- a. Setting the code on the transmitter.

Slide frequency switches to your choice of up or down position. (Factory setting is all up. Do not use this position. Use a small screwdriver or ball point pen to slide firmly up or down. (Fig. 1)
- b. Setting the code on the receiver

Slide frequency switches to the same positions as set on your transmitter. (Fig. 1)
- d. Install one 23A/12V battery (included). To prevent damage to transmitter, remove the battery if not used for long periods of time. (Fig. 1)
- e. Place the cover back to the transmitter by placing over buttons and snapping into place. (Fig. 1)

2. INSTALLING RECEIVER IN CEILING FAN

Installing receiver in fan (Fig. 2):

- a. Remove electrical power from the circuit.
- b. Remove ceiling fan canopy from the mounting bracket.
- c. Disconnection existing wiring between ceiling fan and supply at electrical junction box.
- d. Make connections as follows, using the wire nuts supplied (Fig. 3):

CONNECT	TO
Green fan wire.....	Bare supply wire
Black receiver wire (AC IN L).....	Black supply wire
White receiver wire (AC IN N).....	White supply wire
White receiver wire (TO MOTOR N).....	White fan wire
Black receiver wire (TO MOTOR L).....	Black fan wire
Orange receiver wire (FOR DOWN LIGHT).....	Orange light wire
Blue receiver wire (FOR UP LIGHT).....	Blue light wire

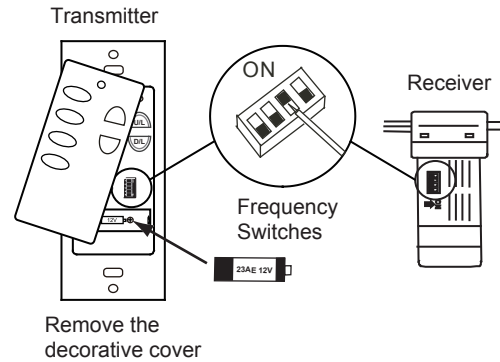


Fig. 1

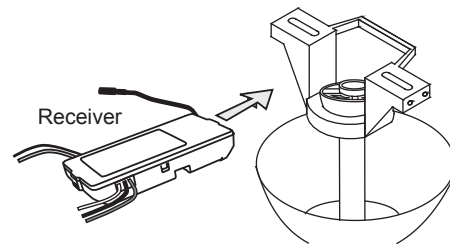


Fig. 2

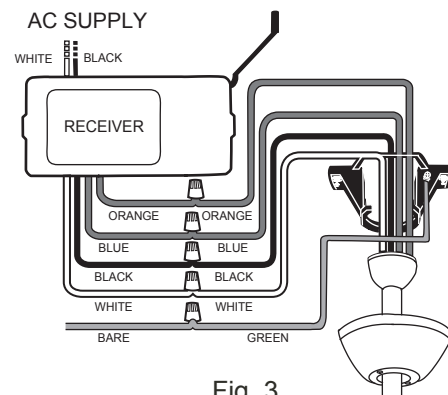


Fig. 3

If other fan or supply wires are different color, have this unit installed by qualified licensed electrician.

- e. Push all connected wires up into junction box.
- f. Lay the black antenna wire on top of the receiver, and put the receiver in the mounting bracket. (Fig. 3)
- g. Reinstall all canopy on the mounting bracket
- h. Restore electrical power.

3. INSTALLING THE WALL TRANSMITTER

- a. Remove the existing wall plate and switch from the wall outlet box. (Fig. 4)
- b. Remove the existing wall plate and the old switch from the wall outlet box. Wire nut the BLACK leads (hot) together and push back inside the outlet box. (Fig. 5)
- c. Carefully tuck the wire connections inside the outlet box. Use the screws provided to secure the wall transmitter and wall plate to the outlet box. (Fig. 5)

4. OPERATION BUTTONS ON THE PANEL OF THE TRANSMITTER (Fig. 6):

HI key – for fan high speed.

MED key – for fan medium speed.

LOW key – for fan low speed.

FAN OFF key – for fan speed off.

U/L and D/L key – These Button will control the light brightness.

The "U/L" button turns the upper light ON or OFF and also controls the brightness setting. The "D/L" button turns the bottom light ON or OFF and also controls the brightness setting. Press and release the button to turn the light ON or OFF. Press and hold the button to set the desired brightness. The light button has an auto-resume, it will stay at the same brightness as the last time it was turned off.

YOUR REMOTE NOW HAS FULL CONTROL OF THE FAN AND LIGHT.

5. TROUBLESHOOTING GUIDE

If the Ceiling Fan and or light fixture(s) fail to respond to commands from the transmitter, check the following.

- Check the main power supply and reset or turn on the breaker.
- Make sure the "Receiver Unit" is wired properly.
- Light Fixture pull chain switch turned to ON ?
- Good batteries in transmitter ? Replace if needed.
- Transmitter and Receiver "frequency" switches set to match each other ?
- If speeds are not responding correctly ensure that the speed pull chain is set to HIGH.

NOTE: The distance between the transmitter and receiver should not be greater than 30 feet. For best performance, make sure the Black Antenna on the end of the receiver unit remains extended and not tangled with any of the electrical wires.

WARNING: This control system is intended for use on 120 volt / 60 Hz power systems ONLY.

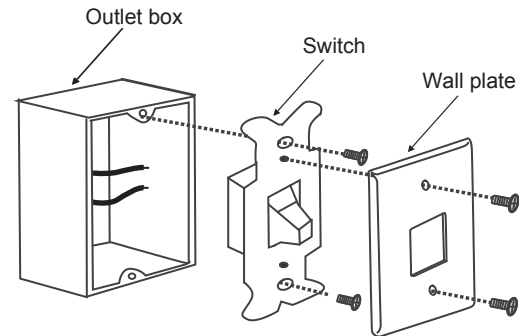


Fig. 4

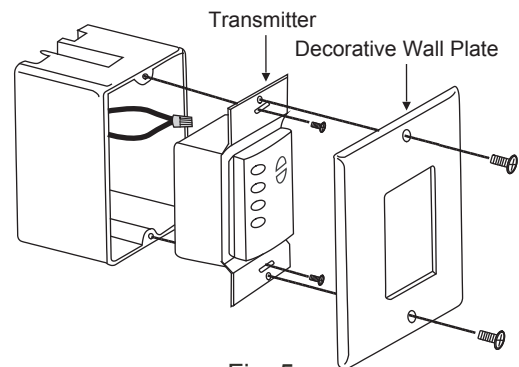


Fig. 5

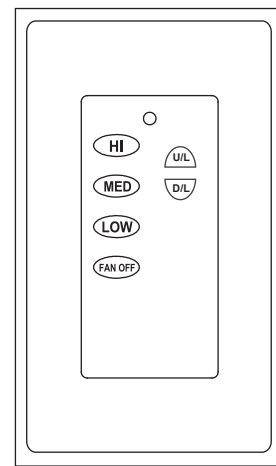


Fig. 6