

## IMPORTANT SAFETY INSTRUCTIONS – READ ALL INSTRUCTIONS – SAVE THESE INSTRUCTIONS

For use with Kichler LED in-ground fixtures 16226, 16227, 16228, 16229, 16230 and 16258

### CAUTION

WHEN INSTALLING KICHLER® LANDSCAPE LIGHTING (LINE VOLTAGE OR LOW VOLTAGE), CARE SHOULD BE TAKEN TO KEEP CLEAR OF POTENTIALLY COMBUSTIBLE MATERIALS.

TO ALLOW FOR PROPER OPERATION AND MAXIMUM LIGHT OUTPUT, BE SURE TO REMOVE LEAVES, PINE NEEDLES, GRASS CLIPPINGS, MULCH, OR ANY DEBRIS THAT HAS ACCUMULATED ON THE LIGHT BULB, LENS, OR BODY OF THE FIXTURE.

### INSTALLATION:

- Excavation for conduit and conduit runs should be completed before proceeding.
- Installation must be done by a qualified electrician in accordance with local, state and national electric codes.

### Installation:

- 1) Turn off power.
- 2) Remove decorative trim ring (A) by removing four trim ring screws (B) using 2.5mm Allen hex wrench provided.
- 3) Remove fixture assembly (C) from plastic well assembly (D) by removing two screws (E) using the 2.5mm hex wrench provided. **NOTE:** It is not necessary to open sealed fixture assembly for any part of the installation. There are no adjustments or user serviceable parts inside the unit.
- 4) Remove any packing material from well housing or fixture assembly.
- 5) **NOTE:** Well housing assembly must be oriented correctly to ensure adjustable beam tilt feature operates in the desired directions. (See Figure 2 and 3.) At desired location, dig hole approximately 3" larger in diameter and depth than the housing. Top edge of housing should be at or slightly above finish grade or to top of concrete grade. Adjust by adding or removing pea gravel or equivalent drainage material.
- 6) Route conduit or supply through slots in bottom of well housing.
- 7) Back-fill area between housing and hole with pea gravel or equivalent drainage material.
  - a. If installing in concrete, plastic well housing should be secured with reinforcing bars (rebar) (not provided). Pour concrete to top edge of well housing (D).

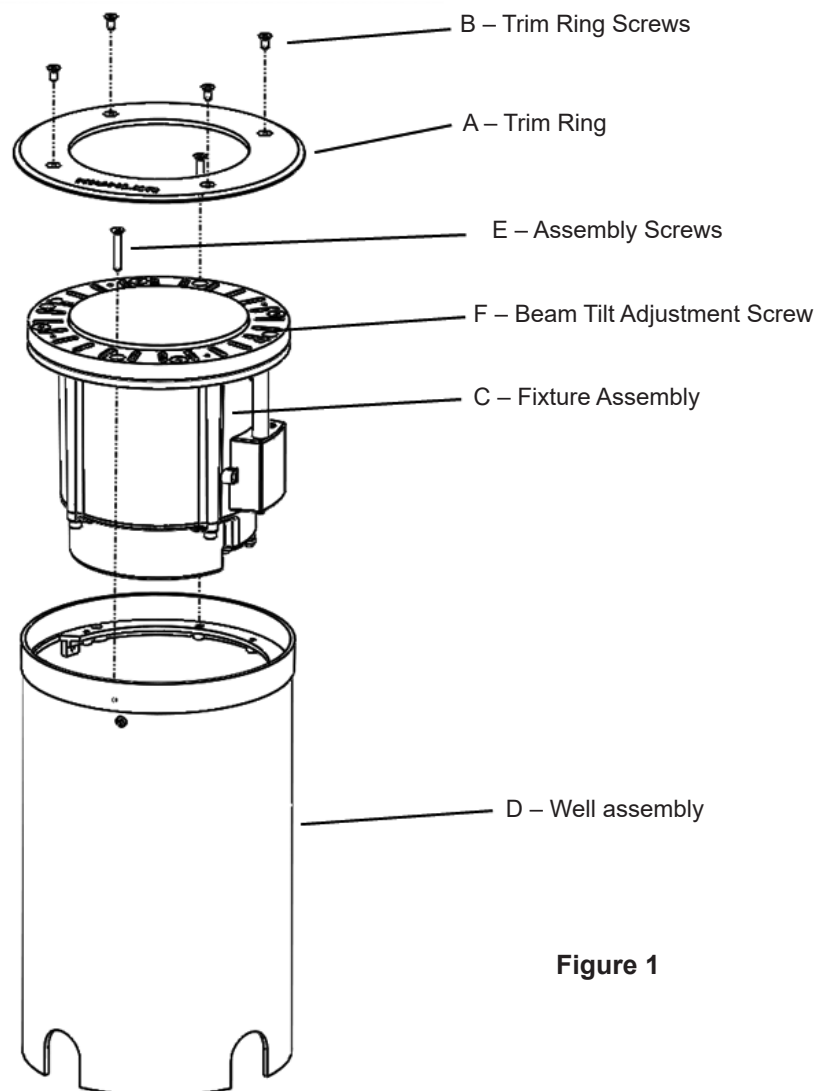


Figure 1

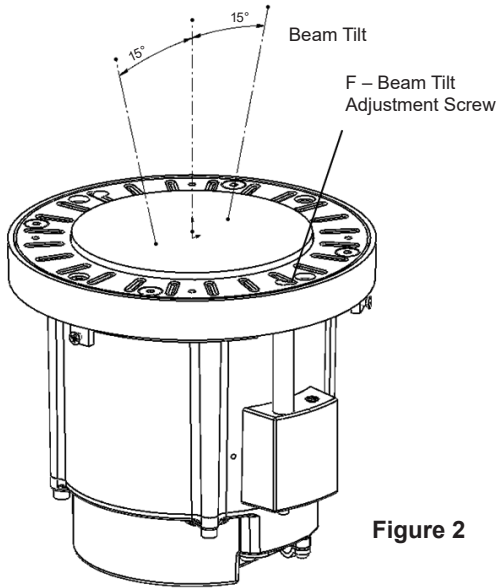


Figure 2

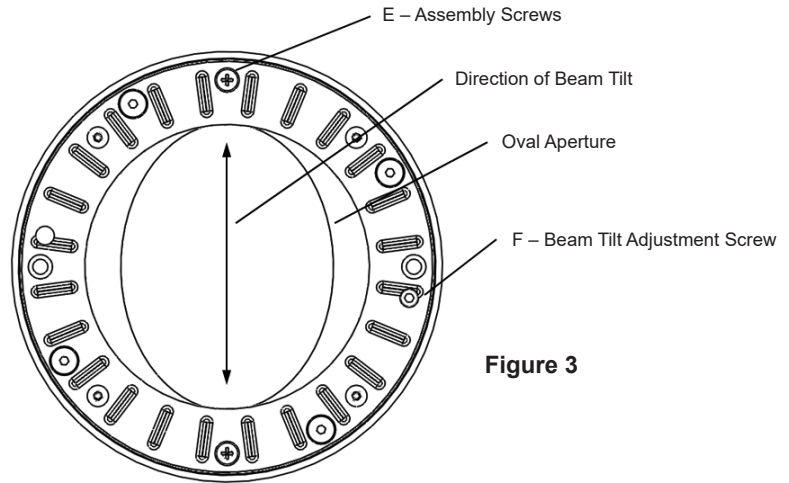


Figure 3

Connect Black Supply Wire to:	Connect White Supply Wire to:	Connect Green Ground Wire to:
Black	White	Ground
Insulated wire with copper conductor	Insulated wire with silver conductor	Insulated wire with copper conductor

**Electrical connection:**

- 8) Connect supply wires to fixture (connectors not provided). Reference chart for correct connections and wire accordingly. **NOTE:** Connections must be water-tight sealed in accordance with local and national code(s). Recommended: Wire gland seal for 3X#18 AWG SJOW fixture wire (.32" [8mm] dia.) and direct burial rated junction (not provided). **NOTE:** Allow a minimum of 6" [15cm] clearance from top edge of well housing for fixture to seat properly.
- 9) Replace fixture assembly (C) into well housing and reinstall screws (E) removed in step #3.
- 10) If desired, beam tilt angle may be adjusted up to 15° by rotating adjustment screw (F) at top of fixture assembly using the 3mm Allen hex wrench provided. (See Figure 2 and 3.)
- 11) Reinstall decorative trim ring (A) and four trim ring screws (B) using 2.5mm Allen hex wrench provided.

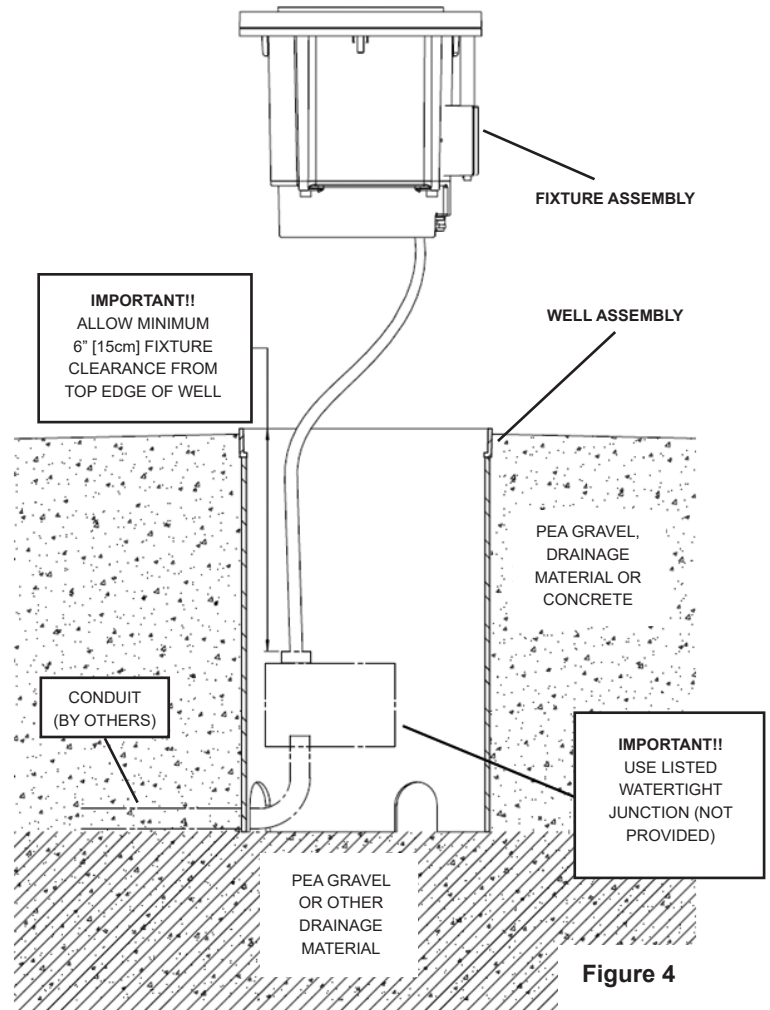


Figure 4