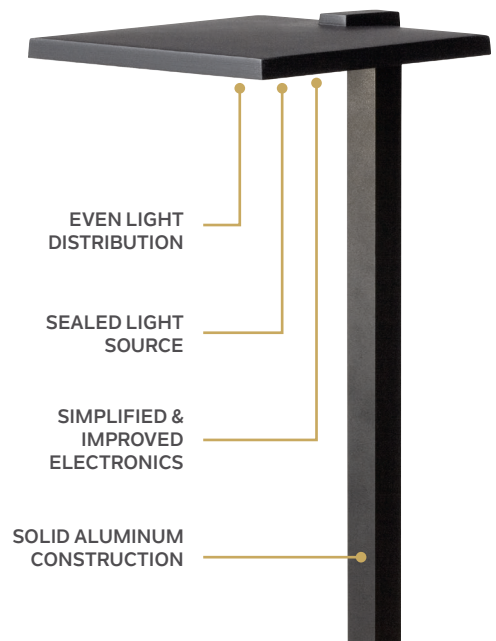




12V Integrated LED Shallow Shade Path Lights

New design and technology.

Redesigned and reimagined, our new shallow shade path lights offer an integrated LED light source and streamlined design. Fully sealed to safeguard from water ingress and outdoor elements, these path lights are certified through an independent 3rd-party lab - continuing to deliver the quality, reliability, and style you've come to appreciate from Kichler.



12V integrated LED shallow shade path lights are designed to deliver the quality, reliability, and style we're known for.



Contemporary design to blend in seamlessly with nature while spotlighting the surrounding style. Sleek and minimal, it's the perfect look for nearly any landscape.



Versatile IP66 rated design provides a dust and watertight housing that can protect against strong jets of water that can occur in coastal areas with strong storms or applications close to sprinklers.



Fully sealed to safeguard from water ingress and outdoor elements - helping to extend the life of the product.



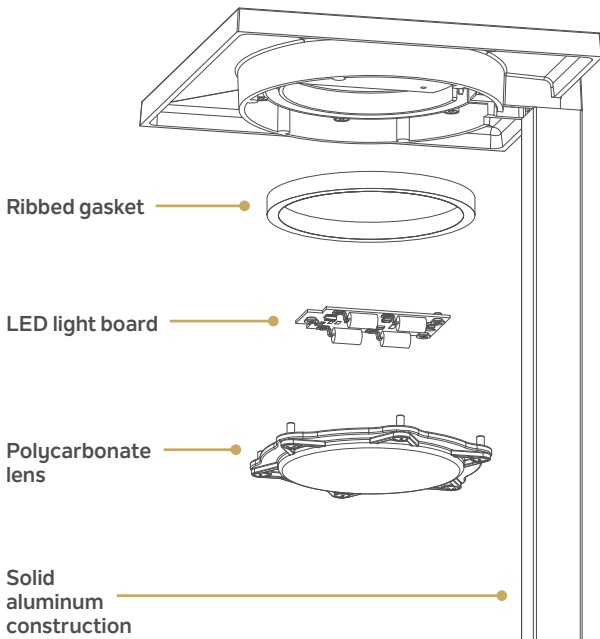
2,000-volt system surge protection protects against power surges and irregularities when paired with one of our transformers.

PRODUCT ORDERING GUIDE

Ordering Guide (product number breakdown)	1 Item Number for Fixture & Beam Angle: 16196 = Small Shallow Shade 16197 = Large Shallow Shade	2 Product Finish: BKT = Textured Black	3 Color Temperature: 27 = 2700K, Warm White 30 = 3000K, Pure White
Example: 16196 BKT 30	<u>1</u> <u>6</u> <u>1</u> <u>9</u> <u>6</u>	<u>B</u> <u>K</u> <u>T</u>	<u>3</u> <u>0</u>

6" Shade	16196BKT27 2700K - Warm White	16196BKT30 3000K - Pure White
8" Shade	16197BKT27 2700K - Warm White	16197BKT30 3000K - Pure White

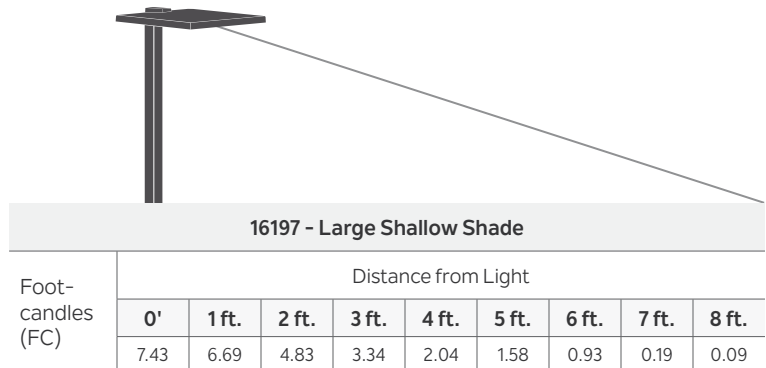
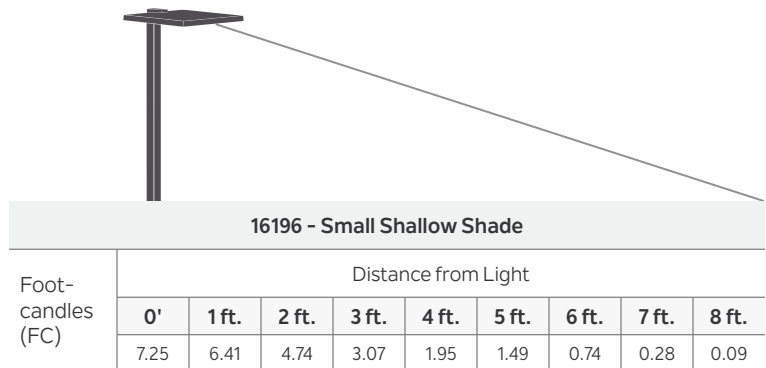
PRODUCT CONSTRUCTION



Fully sealed and houses all electrical components inside the shade to prevent water ingress.

- A thick, **ribbed gasket** creates a seal around the outside circumference of the electronics and 6 screws are used in the **polycarbonate lens** to ensure even seal to lens pressure.
- Crafted with solid cast aluminum construction for a **robust stake-to-stem connection**.

PHOTOMETRICS



DIMENSIONS



PERFORMANCE

	16196 - Small	16197 - Large
Fixture Lumen Output	2700K: 180lm	2700K: 180lm
	3000K: 180lm	3000K: 180lm
Input Voltage	9V-15V	9V-15V
Power (VA) @ 12V AC	5.8VA	5.8VA
Power (W) @ 12V AC	2W	2W
Efficacy (lm/W @ DC)	2700K: 94 lm/w	2700K: 94 lm/w
	3000K: 96 lm/w	3000K: 99 lm/w

SPECIFICATIONS

Fixture	
Number of LEDs	5
Color Temperature	2700K, 3000K
Color Rendering Index	80+
Input	
Input Frequency	60Hz
Input Current	270mA
Power Factor	0.63 @ 12VAC
Environmental	
Environmental Protection Rating	Wet IP66
Operation Ambient Temperature	16196: -20°C - +40°C 16197: -25°C - +40°C
Lumen Maintenance (L70)	40,000 Hours
System Surge Protection Rating	2KV
Mechanical & Housing Specification	
Length/Width/Height	16196: 6" W x 6.5" D x 24" H 16197: 8" W x 8.5" D x 24" H
Weight	16196: Aluminum: 1.6 lbs 16197: Aluminum: 2.2 lbs

FINISH OPTIONS



BKT - Textured Black

FIXTURE

Body

Cast Aluminum, Textured Powder Coat finish (BKT)

Wire

30" of useable #18-2, SPT-1W leads

Included Accessories

8" slotted ground stake, gel-filled wire nuts
Required: Landscape Transformer, 12 gauge wire

Optional Accessories

15601BKT - Surface Mounting Flange
15607BKT - Surface Mounting Bracket
15576 - 14" Stake
15276 - Power Post

LOAD CHART

Power (VA)	Wire Gauge / Length (ft/m) Load Chart			
	10 AWG	12 AWG	14 AWG	16 AWG
0-20 VA	1860'/567 m	1150'/351 m	730'/223 m	450'/137 m
40 VA	930'/283 m	580'/177 m	370'/113 m	230'/70 m
60 VA	620'/189 m	390'/119 m	240'/73 m	150'/46 m
80 VA	470'/143 m	290'/88 m	180'/55 m	110'/34 m
100 VA	370'/113 m	230'/70 m	140'/43 m	90'/27 m
>100 VA	Consult Technical Support			

TROUBLE SHOOTING

Fixture does not illuminate	Verify power connections. Review installation guide for installation problem. Ensure manual reset breaker has not been tripped.
Fixture turns off	Verify power connections. Review installation guide for installation problems. Ensure manual reset breaker has not been tripped. Check voltage drop at fixture.
Fixture(s) are dim or flicker	If you have dim or flickering lights at the end of your wire run, reduce the load by removing fixtures or shortening the wire run.
Fixture trips breaker	Check installation for a possible short or overload state. Isolate the identified short and replace affected fixture or remove fixture(s) installed in overload.

LISTING

UL 1838 Listed. Low Voltage Landscape Lighting Systems.

CSA C22.2#250.7 Listed.

FCC Part 15, subpart B, Class B

**WARRANTY**

Backed by our 15 year residential warranty and 10 year commercial warranty. Visit [Kichler.com/Warranty](https://www.kichler.com/Warranty) for details.

DISCLOSURE

1. Chip binning ranges: (2700K 80+ CRI: 3 step), (3000K 80+ CRI: 3 step). LED chip data measured in accordance to IES LM-80.
2. Fixture has a 90% confidence luminous flux range to stated 3000K CCT target. Photometric (flux and color) data has been measured in accordance to IES LM-79.
3. Actual efficacy value can be calculated as follows: Lumen value divided by average power consumption.
4. Do not extend beyond the recommended maximum run length.
5. Recommend product be installed with 10 or 12 gauge wire.
6. Recommend 80% load/20% overhead rule for fixture load planning in reference to the power source. Calculating fixture loading this way provides additional resource for fixture adjustment and loss due to voltage drop due to wire run lengths.
7. We reserve the right to modify and improve the design of our fixtures without prior notice. We cannot guarantee to match existing installed fixtures for subsequent orders or replacements in regards to product appearance, CCT, or lumen output.
8. Damage caused by misuse (including use for an unintended application) or improper or incorrect installation, maintenance or repair, including failure to follow the applicable care and cleaning instructions, is not covered by our warranty.

PRODUCT TECHNICAL SUPPORT

Have a product or installation question? Our team can provide you with the answers you are looking for. Contact us at **844-KICHLER (844-542-4537)** or email techsupport@kichler.com for assistance.

LANDSCAPE LIGHTING, LAYOUT & DESIGN SERVICES

Need help preparing a layout? Visit [LightProRewards.com](https://www.kichler.com/LightProRewards.com) to learn more.