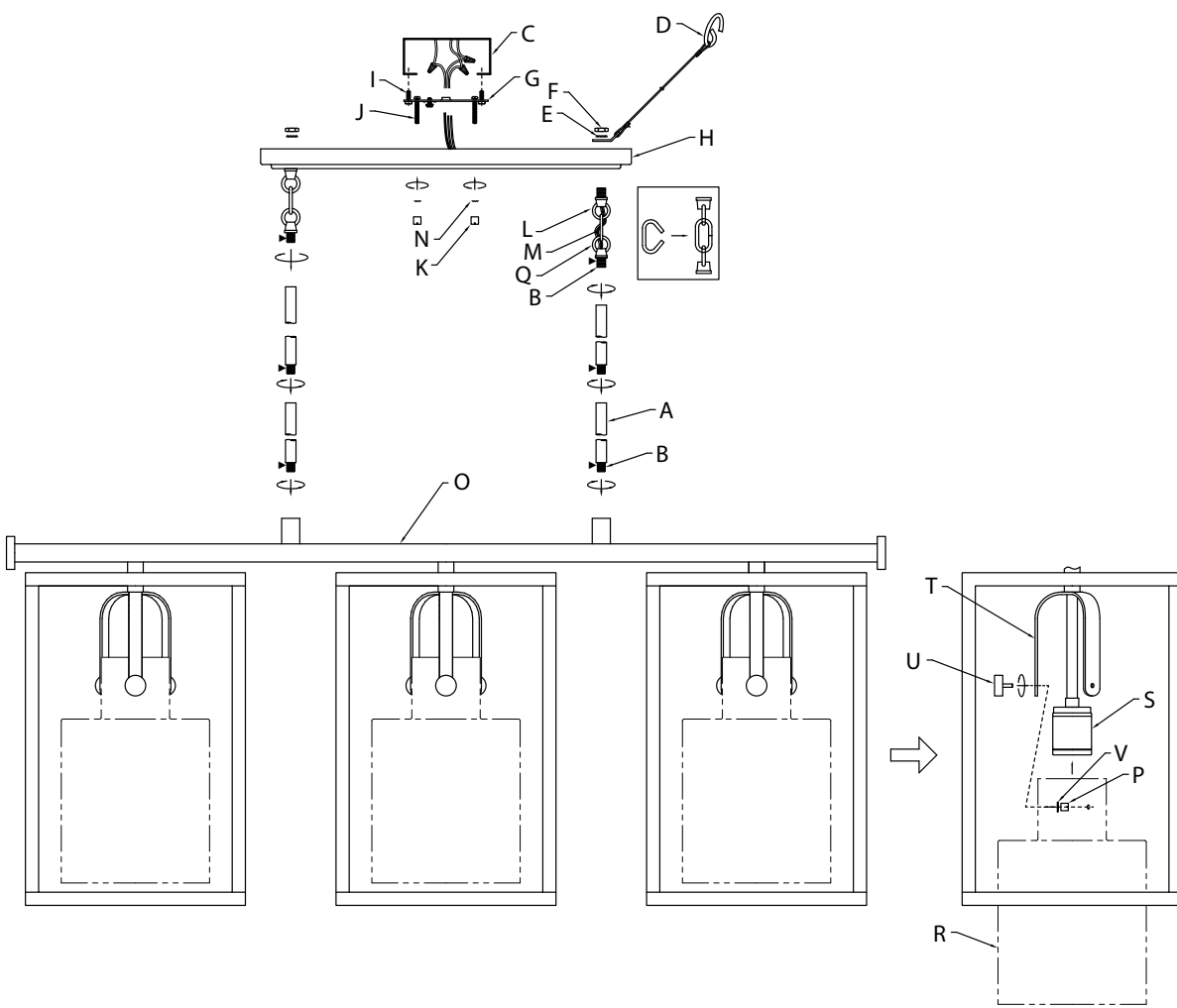


Fixture Diagram



Parts List

- | | | |
|--------------------------|---------------------------|----------------------------|
| [A] Stems | [I] Strap Mounting Screws | [Q] First Loop |
| [B] Short Threaded Tubes | [J] Mounting Screws | [R] Glass |
| [C] Outlet Box | [K] Knobs | [S] Light Socket |
| [D] Safety Cable | [L] Second Loop | [T] Glass Mounting Bracket |
| [E] Lockwasher | [M] Chain Link | [U] Studded Finial |
| [F] Hexnut | [N] Lockwashers | [V] Washer |
| [G] Mounting Strap | [O] Fixture Body | |
| [H] Canopy | [P] Lockup Knob | |

Cautions

CAUTION – RISK OF SHOCK –
Disconnect Power at the main circuit breaker panel or main fusebox before starting and during the installation.

WARNING:
This fixture is intended for installation in accordance with the National Electrical Code (NEC) and all local code specifications. If you are not familiar with code requirements, installation by a certified electrician is recommended.

CLEANING:
• Always be certain that electric current is turned off before cleaning.
• Only a soft damp cloth should be used. Harsh cleaning products may damage the finish.

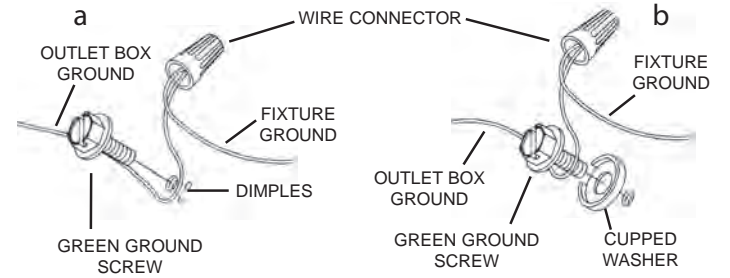
Installation Instructions

RIGID STEM MOUNT

- Raise glass [R] over light socket [S] and align holes in glass with holes in glass mounting bracket [T].
- Attach glass to glass mounting bracket by inserting studded finial [U] into hole in glass and hole in mounting bracket. Secure using washer [V] and lock-up knob [P] on inside of glass. Repeat for two (2) remaining holes in glass and glass mounting bracket.
- Repeat steps 1 - 2 for remaining glass pieces.
- On side of fixture with fixture wires, Pass fixture wires through stems [A] and short threaded tubes [B]. Screw stems together using short threaded tubes and screw stems into coupling on fixture body [O] using a short threaded tube.
- On opposite side of fixture (without fixture wires) screw a second set of stems together using short threaded tubes (same number of stems and short threaded tubes from previous step but without fixture wire) and screw stems into opposite coupling on fixture body using a short threaded tube.
NOTE: Thread locking compound must be applied to all stem threads as noted with symbol (▶) to prevent accidental rotation of fixture during cleaning, relamping, etc.
- On side of fixture with fixture wires, pass fixture wires through one short threaded tube [B]. Screw short threaded tube onto top of stem.
- On opposite side of fixture (without fixture wires), screw one short threaded tube onto top of stem.
- Pass fixture wires through hole in canopy [H]. Lower canopy down towards stems. Pass holes in canopy over ends of short threaded tubes on top of the stems.
- On side of fixture with fixture wires, pass fixture wires through loop of safety cable [D]. Slip loop of safety cable over end of short threaded tube protruding from inside of canopy.
- Pass fixture wires through lockwasher [E]. Place lockwasher onto end of short threaded tube protruding from inside canopy.
- Pass fixture wires through hexnut [F]. Thread hexnut onto end of short threaded tube.
NOTE: Fixture wires should not be cut shorter than 20 inches from above the canopy.
- On opposite side of fixture (without fixture wires), place lockwasher onto end of short threaded tube protruding from inside canopy. Thread hexnut onto end of short threaded tube as shown.
- Find the appropriate threaded holes on mounting strap [G]. Assemble mounting screws [J] into threaded holes (if they are not already installed).
- Attach mounting strap to outlet box [C] using the strap mounting screws [I]. Mounting strap can be adjusted to suit position of fixture.

Installation Instructions (continued)

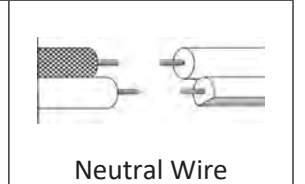
- Grounding instructions: (See Illus. a or b).
 - On fixtures where mounting strap is provided with a hole and two raised dimples, wrap ground wire from outlet box around green ground screw, and thread into hole.
 - On fixtures where a cupped washer is provided, attach ground wire from outlet box under cupped washer and green ground screw, then thread into mounting strap.
 If fixture is provided with ground wire, connect fixture ground wire to outlet box ground wire with wire connector after following the above steps. Never connect ground wire to black or white power supply wires.



- Make wire connection. Reference chart below for correct connections and wire accordingly.

Connect Black or Red Supply Wire to:	Connect White Supply Wire to:
Black	White
*Parallel cord (round & smooth)	*Parallel cord (square & ridged)
Clear, Brown, Gold or Black without Tracer	Clear, Brown, Gold or Black with Tracer
Insulated wire (other than green) with copper conductor	Insulated wire (other than green) with silver conductor

*Note: When parallel wire (SPT 1 & SPT 2) are used. The neutral wire is square shaped or ridged and the other wire will be round in shape or smooth (see illus.)

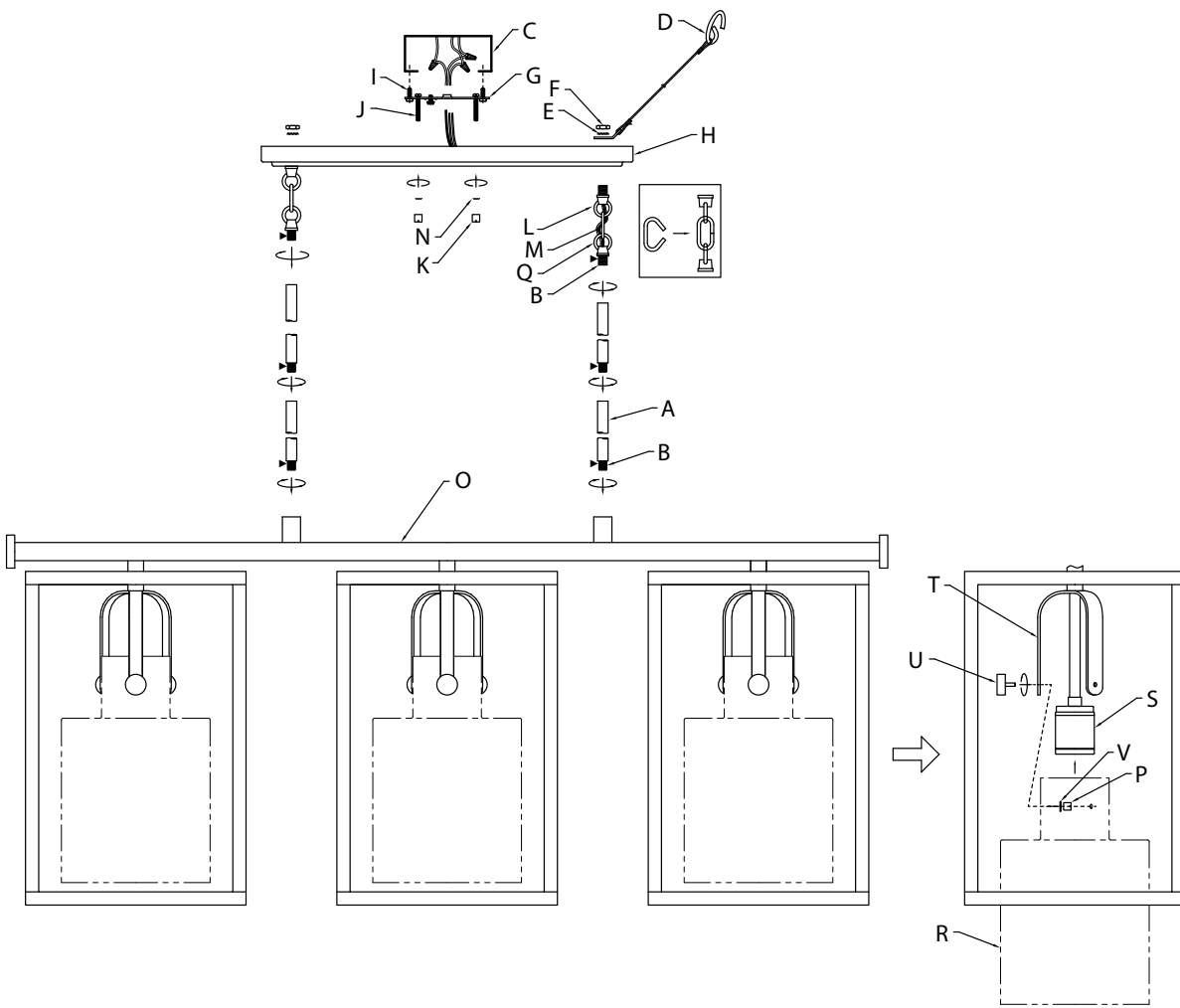


- Attach the safety cable [D] to the mounting strap or to the inside of the outlet box.
- Push fixture to ceiling, carefully passing mounting screws through holes in canopy [H].
NOTE: Be certain wires do not get pinched between canopy and ceiling.
- Use knobs [K] and lockwashers [N] to secure canopy. Tighten to secure.
- Insert recommended bulbs. (Not supplied).

LOOP / CHAIN LINK MOUNT

- Follow steps 1 - 5 from "Rigid Stem Mount" Instructions.
- Thread one short threaded tube [B] into end of each small loop [Q, L].
- On side of fixture with fixture wires, pass fixture wires through first loop [Q]. Thread first loop onto end of last stem.
- Pass fixture wires through second loop [L] and through hole in canopy [H]. Pass short threaded tube at end of second loop through hole in canopy.
- Pass fixture wires through loop of safety cable [D]. Slip loop of safety cable over end of short threaded tube protruding from inside of canopy.
- Pass fixture wires through lockwasher [E]. Place lockwasher onto end of short threaded tube protruding from inside canopy.
- Pass fixture wires through hexnut [F]. Thread hexnut onto end of short threaded tube.
NOTE: Fixture wires should not be cut shorter than 20 inches from above the canopy.
- On opposite side of fixture (without fixture wires), Thread first loop [Q] onto end of last stem. Pass threaded pipe at end of second loop [L] through hole in canopy and secure into place with a lock washer and hexnut as shown.
- Attach open chain link [M] to small loops at end of each stem and to small loops on canopy and close the open chain link by placing a piece of cloth over the open link and using a pair of pliers gently squeeze the link closed.
- Follow steps 13 - 20 from "Rigid Stem Mount" Instructions.

Diagrama de Accesorios



Lista de Partes

- | | | |
|---------------------------|---|--------------------------------------|
| [A] Vástago | [I] Tornillos de Montaje de la Abrazadera | [Q] Primer Anillo |
| [B] Tubos Roscados Cortos | [J] Tornillos de Montaje | [R] Vidrio |
| [C] Caja de Distribución | [K] Perillas | [S] Portalámparas |
| [D] Cable de Seguridad | [L] Segundo Anillo | [T] Abrazadera de Montaje del Vidrio |
| [E] Arandela de Seguridad | [M] Eslabón de Cadena | [U] Capuchón |
| [F] Tuerca Hexagonal | [N] Arandelas de Seguridad | [V] Arandela |
| [G] Abrazadera de Montaje | [O] Cuerpo del Artefacto | |
| [H] Escudete | [P] Perilla de Bloqueo | |

Precauciones

PRECAUCIÓN – RIESGO DE DESCARGA ELÉCTRICA – Desconecte la electricidad en el panel principal del interruptor automático o caja principal de fusibles antes de comenzar y durante la instalación.

ADVERTENCIA:

Este accesorio está destinado a la instalación de acuerdo con el National Electrical Code (NEC) y todas las especificaciones del código local. Si no está familiarizado con los requisitos del código, la instalación se recomienda un electricista certificado.

LIMPIEZA:

- Asegúrese siempre de que la corriente eléctrica esté apagada antes de limpiar.
- Debe usarse solamente un paño húmedo y suave. Productos de limpieza abrasivos pueden dañar el acabado.

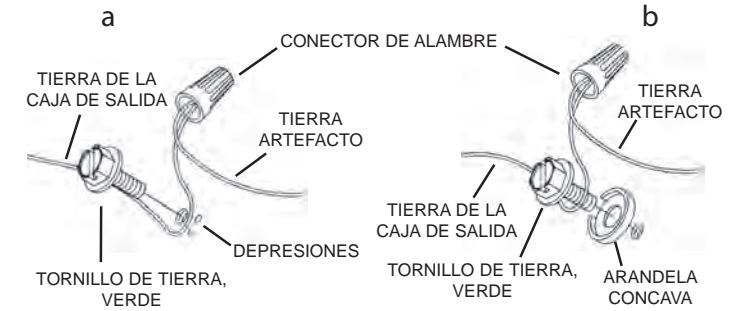
Instrucciones de Instalación

MONTAJE CON VÁSTAGO RÍGIDO

- Levante el vidrio[R] sobre el portalámparas[S] y alinee los orificios del vidrio con los orificios de la abrazadera de montaje del vidrio[T].
- Fije el vidrio a la abrazadera de montaje insertando el capuchón[U] en el orificio del vidrio y en el orificio de la abrazadera de montaje. Asegure usando la arandela[V] y la perilla de bloqueo[P] en el interior del vidrio. Repita para los dos (2) orificios restantes en el vidrio y en la abrazadera de montaje.
- Repita los pasos 1 - 2 para las piezas de vidrio restantes.
- En el lado del artefacto con los cables, pase los cables del artefacto a través de los vástagos[A] y los tubos roscados cortos[B]. Enrosque los vástagos entre sí utilizando los tubos roscados cortos y enrosque los vástagos en el acoplamiento en el cuerpo del artefacto[O] utilizando un tubo roscado corto.
- En el lado opuesto del artefacto (sin los cables) enrosque un segundo juego de vástagos entre sí usando tubos roscados cortos (el mismo número de vástagos y tubos roscados cortos del paso anterior pero sin el cable del artefacto) y atorníllelos en el acoplamiento opuesto en el cuerpo del artefacto utilizando un tubo roscado corto.
NOTA: Se debe aplicar compuesto para rosca estanca a todas las roscas de vástagos indicadas con el símbolo (▶) para evitar la rotación accidental de los vástagos durante la limpieza, el cambio de bombillas, etc.
- En el lado del artefacto con los cables, pase los cables del artefacto a través de un tubo corto roscado[B]. Enrosque el tubo roscado corto en la parte superior del vástago.
- En el lado opuesto del artefacto (sin los cables), enrosque un tubo roscado corto en la parte superior del vástago.
- Pase los cables del artefacto a través del orificio en el escudete[H]. Baje el escudete hacia los vástagos. Pase los orificios en el escudete sobre los extremos de los tubos roscados cortos en la parte superior de los vástagos.
- En el lado del artefacto con los cables, pase los cables del artefacto a través del anillo del cable de seguridad[D]. Deslice el anillo del cable de seguridad sobre el extremo del tubo roscado corto que sobresale del interior del escudete.
- Pase los cables del artefacto a través de la arandela de seguridad[E]. Coloque la arandela de seguridad en el extremo del tubo roscado corto que sobresale del interior del escudete.
- Pase los cables del artefacto a través de la tuerca hexagonal[F]. Enrosque la tuerca hexagonal en el extremo del tubo roscado corto.
NOTA: Los cables del artefacto no deben ser cortados a menos de 20 pulgadas por encima del escudete.
- En el lado opuesto del artefacto (sin los cables del artefacto), coloque la arandela de seguridad en el extremo del tubo roscado corto que sobresale del interior del escudete. Enrosque la tuerca hexagonal en el extremo del tubo roscado corto como se muestra.
- Encuentre los orificios roscados adecuados en la abrazadera de montaje[G]. Instale los tornillos de montaje[J] en los orificios roscados (si aún no están instalados).
- Fije la abrazadera de montaje a la caja de distribución[C] utilizando los tornillos de montaje de la abrazadera[I]. La abrazadera de montaje se puede ajustar para adaptarse a la posición del artefacto.

Instrucciones de Instalación (continuación)

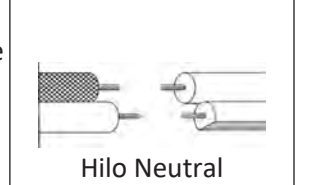
- Instrucciones de conexión a tierra solamente para los Estados Unidos. (Vea la ilustración a o b).
 - En las lámparas que tienen la abrazadera de montaje con un agujero y dos hoyuelos realzados, enrollar el alambre a tierra de la caja tomacorriente alrededor del tornillo verde y pasarlo por el agujero.
 - En las lámparas con una arandela acopada, fijar el alambre a tierra de la caja tomacorriente del ajo de la arandela acopada y tornillo verde, y pasar por la abrazadera de montaje.
 Si la lámpara viene con alambre a tierra, conectar el alambre a tierra de la lámpara al alambre a tierra de la caja tomacorriente con un conector de alambres después de seguir los pasos anteriores. Nunca conectar el alambre a tierra a los alambres eléctricos negro o blanco.



- Haga las conexiones de los alambres. La tabla de referencia de abajo indica las conexiones correctas y los alambres correspondientes.

Conectar el alambre de suministro negro o rojo al	Conectar el alambre de suministro blanco al
Negro	Blanco
*Cordon paralelo (redondo y liso)	*Cordon paralelo (cuadrado y estriado)
Claro, marrón, amarillo o negro sin hebra identificadora	Claro, marrón, amarillo o negro con hebra identificadora
Alambre aislado (diferente del verde) con conductor de cobre	Alambre aislado (diferente del verde) con conductor de plata

*Nota: Cuando se utiliza alambre paralelo (SPT 1 y SPT 2). El alambre neutro es de forma cuadrada o estriada y el otro alambre será de forma redonda o lisa. (Vea la ilustración).

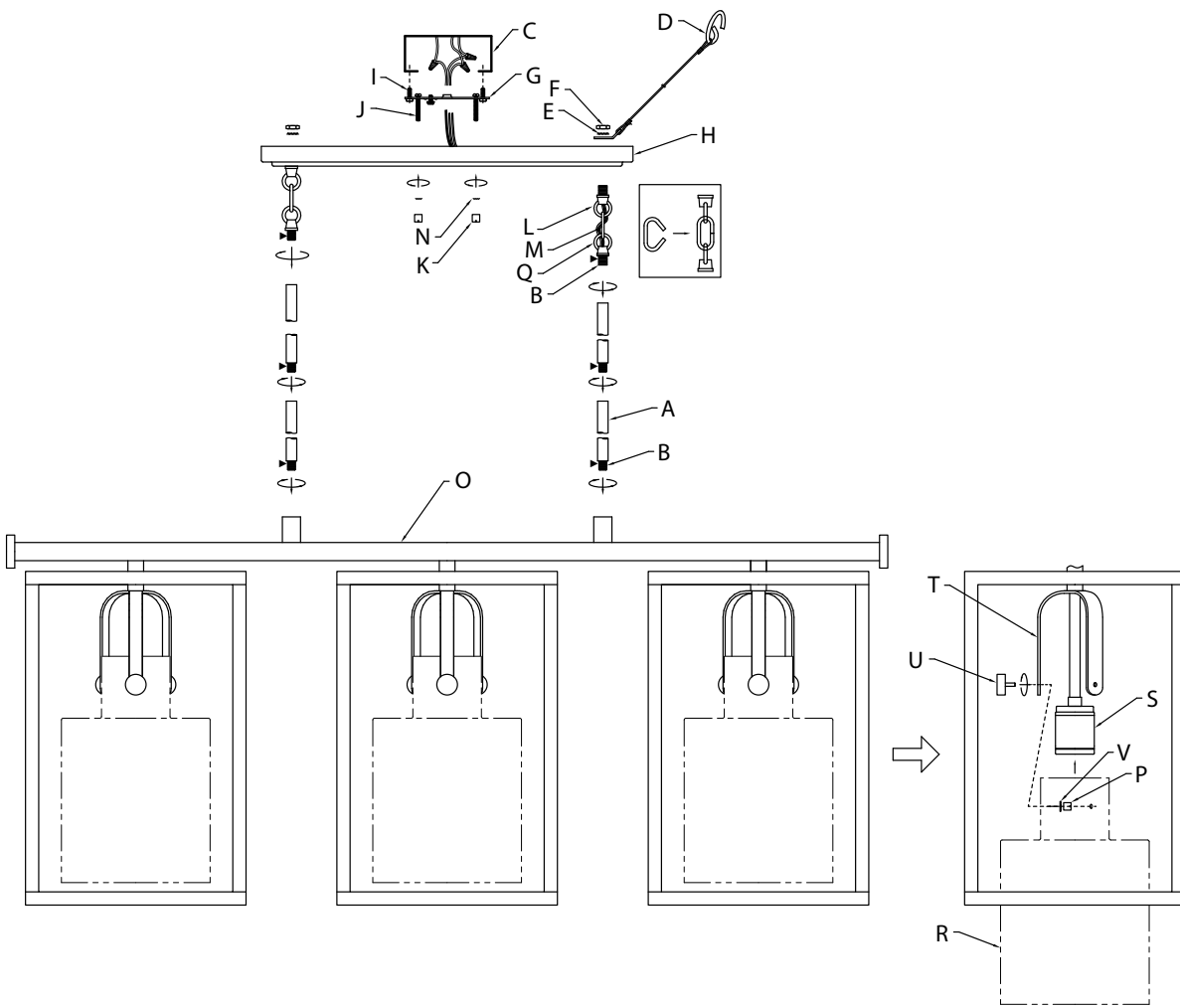


- Conecte el cable de seguridad[D] a la abrazadera de montaje o al interior de la caja de distribución.
- Empuje el artefacto al techo, pasando cuidadosamente los tornillos de montaje a través de los orificios de el escudete[H].
NOTA: Asegúrese de que los cables no queden atrapados entre el escudete y el techo.
- Utilice las perillas[K] y las arandelas de seguridad[N] para asegurar la escudete. Apriete para asegurar.
- Instale las bombillas recomendadas (No suministradas).

MONTAJE CON ANILLO / ESLABÓN DE CADENA

- Siga los pasos 1 - 5 de las instrucciones de "Montaje con vástago rígido".
- Enrosque un tubo roscado corto[B] en el extremo de cada anillo pequeño[Q, L].
- En el lado del artefacto con los cables, pase los cables del artefacto a través del primer anillo[Q]. Enrosque el primer anillo en el extremo del último vástago.
- Pase los cables del artefacto a través del segundo anillo[L] y del orificio en el escudete[H]. Pase el tubo roscado corto al final del segundo anillo a través del orificio en el escudete.
- Pase los cables del artefacto a través del anillo del cable de seguridad[D]. Deslice el anillo del cable de seguridad sobre el extremo del tubo roscado corto que sobresale del interior del escudete.
- Pase los cables del artefacto a través de la arandela de seguridad[E]. Coloque la arandela de seguridad en el extremo del tubo roscado corto que sobresale del interior del escudete.
- Pase los cables del artefacto a través de la tuerca hexagonal[F]. Enrosque la tuerca hexagonal en el extremo del tubo roscado corto.
NOTA: Los cables del artefacto no deben ser cortados a menos de 20 pulgadas por encima del escudete.
- En el lado opuesto del artefacto (sin los cables), enrosque el primer anillo[Q] en el extremo del último vástago. Pase el tubo roscado al final del segundo anillo[L] a través del orificio en el escudete y asegúrelo en su lugar con una arandela de seguridad y una tuerca hexagonal como se muestra.
- Fije el eslabón de cadena abierto[M] a los pequeños anillos en el extremo de cada vástago y a los pequeños anillos en el escudete, y cierre el eslabón de cadena abierto colocando un trozo de paño sobre el mismo y apretándolo suavemente con unos alicates.
- Siga los pasos 13 - 20 de las instrucciones de "Montaje con vástago rígido".

Fixture Diagram



Parts List

- | | | |
|--------------------------|---------------------------|----------------------------|
| [A] Stems | [I] Strap Mounting Screws | [Q] First Loop |
| [B] Short Threaded Tubes | [J] Mounting Screws | [R] Glass |
| [C] Outlet Box | [K] Knobs | [S] Light Socket |
| [D] Safety Cable | [L] Second Loop | [T] Glass Mounting Bracket |
| [E] Lockwasher | [M] Chain Link | [U] Studded Finial |
| [F] Hexnut | [N] Lockwashers | [V] Washer |
| [G] Mounting Strap | [O] Fixture Body | |
| [H] Canopy | [P] Lockup Knob | |

Cautions

CAUTION – RISK OF SHOCK –
Disconnect Power at the main circuit breaker panel or main fusebox before starting and during the installation.

WARNING:
This fixture is intended for installation in accordance with the National Electrical Code (NEC) and all local code specifications. If you are not familiar with code requirements, installation by a certified electrician is recommended.

CLEANING:

- Always be certain that electric current is turned off before cleaning.
- Only a soft damp cloth should be used. Harsh cleaning products may damage the finish.

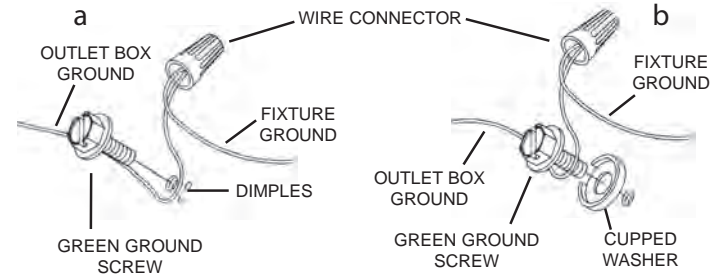
Installation Instructions

RIGID STEM MOUNT

- 1) Raise glass[R] over light socket[S] and align holes in glass with holes in glass mounting bracket[T].
- 2) Attach glass to glass mounting bracket by inserting studded finial[U] into hole in glass and hole in mounting bracket. Secure using washer[V] and lock-up knob[P] on inside of glass. Repeat for two (2) remaining holes in glass and glass mounting bracket.
- 3) Repeat steps 1 - 2 for remaining glass pieces.
- 4) On side of fixture with fixture wires, Pass fixture wires through stems[A] and short threaded tubes[B]. Screw stems together using short threaded tubes and screw stems into coupling on fixture body[O] using a short threaded tube.
- 5) On opposite side of fixture (without fixture wires) screw a second set of stems together using short threaded tubes (same number of stems and short threaded tubes from previous step but without fixture wire) and screw stems into opposite coupling on fixture body using a short threaded tube.
NOTE: Thread locking compound must be applied to all stem threads as noted with symbol (▶) to prevent accidental rotation of fixture during cleaning, relamping, etc.
- 6) On side of fixture with fixture wires, pass fixture wires through one short threaded tube[B]. Screw short threaded tube onto top of stem.
- 7) On opposite side of fixture (without fixture wires), screw one short threaded tube onto top of stem.
- 8) Pass fixture wires through hole in canopy[H]. Lower canopy down towards stems. Pass holes in canopy over ends of short threaded tubes on top of the stems.
- 9) On side of fixture with fixture wires, pass fixture wires through loop of safety cable[D]. Slip loop of safety cable over end of short threaded tube protruding from inside of canopy.
- 10) Pass fixture wires through lockwasher[E]. Place lockwasher onto end of short threaded tube protruding from inside canopy.
- 11) Pass fixture wires through hexnut[F]. Thread hexnut onto end of short threaded tube.
NOTE: Fixture wires should not be cut shorter than 20 inches from above the canopy.
- 12) On opposite side of fixture (without fixture wires), place lockwasher onto end of short threaded tube protruding from inside canopy. Thread hexnut onto end of short threaded tube as shown.
- 13) Find the appropriate threaded holes on mounting strap[G]. Assemble mounting screws[J] into threaded holes (if they are not already installed).
- 14) Attach mounting strap to outlet box[C] using the strap mounting screws[I]. Mounting strap can be adjusted to suit position of fixture.

Installation Instructions (continued)

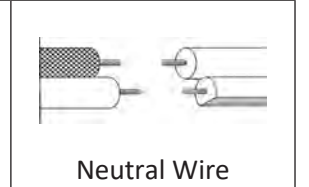
- 15) Grounding instructions: (See Illus. a or b).
 - a) On fixtures where mounting strap is provided with a hole and two raised dimples, wrap ground wire from outlet box around green ground screw, and thread into hole.
 - b) On fixtures where a cupped washer is provided, attach ground wire from outlet box under cupped washer and green ground screw, then thread into mounting strap.
 If fixture is provided with ground wire, connect fixture ground wire to outlet box ground wire with wire connector after following the above steps. Never connect ground wire to black or white power supply wires.



- 16) Make wire connection. Reference chart below for correct connections and wire accordingly.

Connect Black or Red Supply Wire to:	Connect White Supply Wire to:
Black	White
*Parallel cord (round & smooth)	*Parallel cord (square & ridged)
Clear, Brown, Gold or Black without Tracer	Clear, Brown, Gold or Black with Tracer
Insulated wire (other than green) with copper conductor	Insulated wire (other than green) with silver conductor

*Note: When parallel wire (SPT 1 & SPT 2) are used. The neutral wire is square shaped or ridged and the other wire will be round in shape or smooth (see illus.)

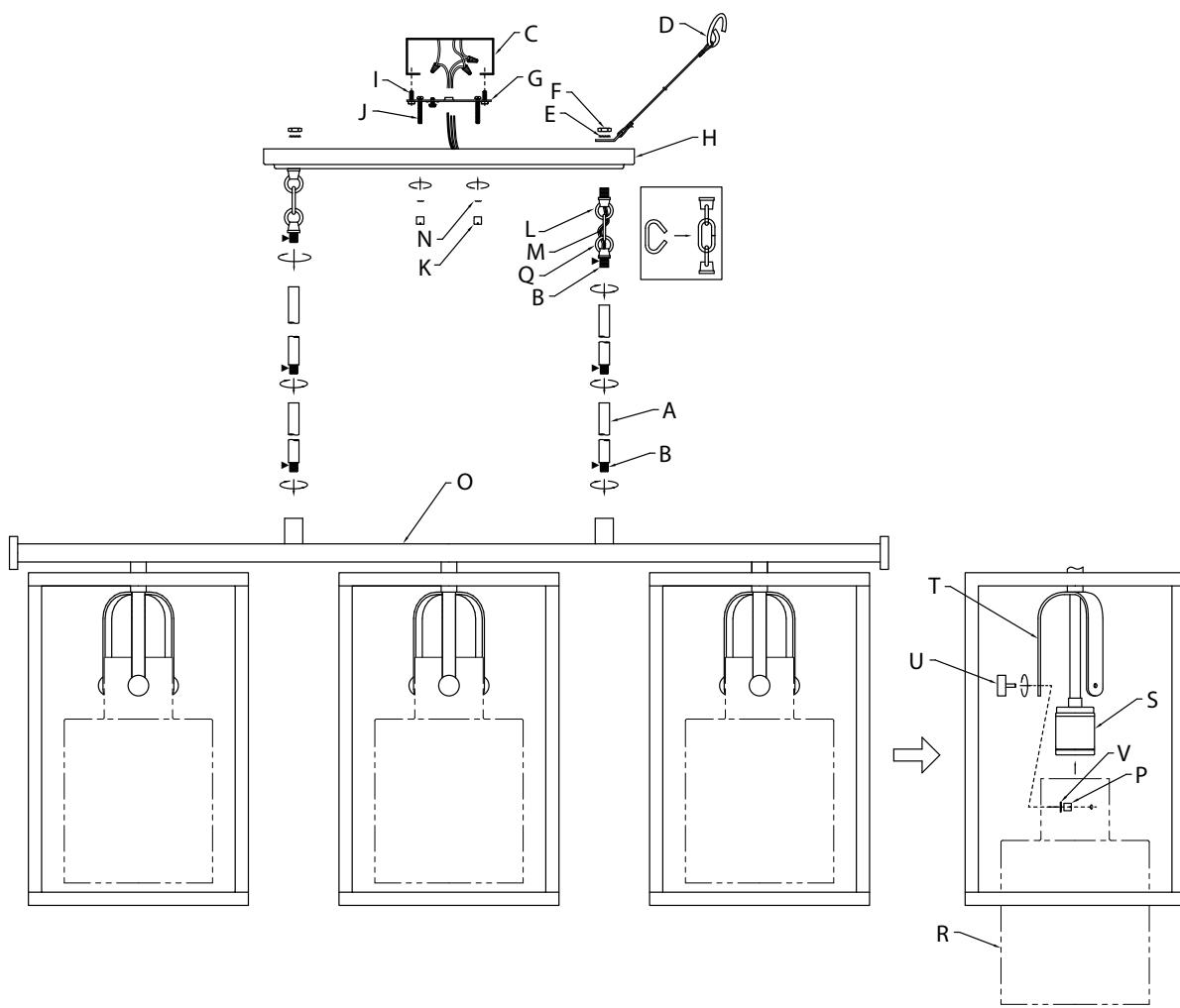


- 17) Attach the safety cable[D] to the mounting strap or to the inside of the outlet box.
- 18) Push fixture to ceiling, carefully passing mounting screws through holes in canopy[H].
NOTE: Be certain wires do not get pinched between canopy and ceiling.
- 19) Use knobs[K] and lockwashers[N] to secure canopy. Tighten to secure.
- 20) Insert recommended bulbs. (Not supplied).

LOOP / CHAIN LINK MOUNT

- 1) Follow steps 1 - 5 from "Rigid Stem Mount" Instructions.
- 2) Thread one short threaded tube[B] into end of each small loop[Q, L].
- 3) On side of fixture with fixture wires, pass fixture wires through first loop[Q]. Thread first loop onto end of last stem.
- 4) Pass fixture wires through second loop[L] and through hole in canopy[H]. Pass short threaded tube at end of second loop through hole in canopy.
- 5) Pass fixture wires through loop of safety cable[D]. Slip loop of safety cable over end of short threaded tube protruding from inside of canopy.
- 6) Pass fixture wires through lockwasher[E]. Place lockwasher onto end of short threaded tube protruding from inside canopy.
- 7) Pass fixture wires through hexnut[F]. Thread hexnut onto end of short threaded tube.
NOTE: Fixture wires should not be cut shorter than 20 inches from above the canopy.
- 8) On opposite side of fixture (without fixture wires), Thread first loop[Q] onto end of last stem. Pass threaded pipe at end of second loop[L] through hole in canopy and secure into place with a lock washer and hexnut as shown.
- 9) Attach open chain link[M] to small loops at end of each stem and to small loops on canopy and close the open chain link by placing a piece of cloth over the open link and using a pair of pliers gently squeeze the link closed.
- 10) Follow steps 13 - 20 from "Rigid Stem Mount" Instructions.

Diagramme d'appareils



Liste des Pièces

- | | | |
|--------------------------|--------------------------------|---------------------------------|
| [A] Tiges | [I] Vis de Fixation du Support | [Q] Première Boucle |
| [B] Tubes Filetés Courts | [J] Vis de Montage | [R] Verre |
| [C] Boîte à Prises | [K] Boutons | [S] Douille |
| [D] Câble de Sécurité | [L] Deuxième Boucle | [T] Support de Montage du Verre |
| [E] Rondelle de Blocage | [M] Maillon Ouvert | [U] Ornement à Crampons |
| [F] Écrou Hexagonal | [N] Rondelles de Blocage | [V] Rondelle |
| [G] Support de Montage | [O] Luminaire | |
| [H] Cache | [P] Bouton de Verrouillage | |

Précautions

ATTENTION – RISQUE DE DÉCHARGES ÉLECTRIQUES -
Couper le courant au niveau du panneau du disjoncteur du circuit principal ou de la boîte à fusibles principale avant de procéder à l'installation.

ATTENTION:
Ce luminaire doit être installé conformément aux codes d'électricité nationaux (NEC) et satisfaire toutes les spécifications des codes locaux. Si vous ne connaissez pas les exigences de ces codes, il est recommandé de confier l'installation à un électricien certifié.

NETTOYAGE :

- Soyez toujours certain que l'alimentation électrique du luminaire est fermée avant le nettoyage.
- N'utilisez qu'un chiffon doux humide. Les produits de nettoyage acides/abrasifs peuvent endommager le fini.

Instructions d'installation

MONTAGE SUR TIGE RIGIDE

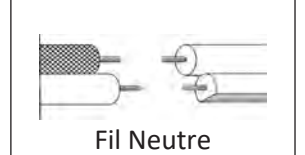
- 1) Soulevez le verre[R] par dessus la douille[S] et alignez les trous du verre avec les trous situés dans le support de montage du verre[T].
- 2) Fixez le verre au support de montage en insérant l'ornement à crampons[U] dans le trou du verre et dans le support de montage. Fixez avec la rondelle[V] et le bouton de verrouillage[P] à l'intérieur du verre. Répétez l'opération pour les deux (2) autres trous dans le verre et le support de montage en verre.
- 3) Répétez les étapes de 1 à 2 pour les autres pièces en verre.
- 4) Sur le côté du luminaire avec les fils du luminaire, faites passer les fils du luminaire à travers les tiges[A] et les tubes filetés courts[B]. Vissez les tiges ensemble à l'aide des tubes filetés courts et vissez les tiges dans le accouplement sur le luminaire[O] à l'aide de une tube fileté court.
- 5) Sur le côté opposé du luminaire (sans les fils du luminaire) vissez un deuxième ensemble de tiges à l'aide de tubes filetés courts (le même nombre de tiges et de tubes filetés courts qu'au cours de l'étape précédente mais sans fil du luminaire) et vissez ensuite les tiges dans l'accouplement opposé du luminaire à l'aide de une tube fileté court.
REMARQUE : Appliquer du frein filet sur tous les filets de la tige indiqués par le symbole (▶) pour empêcher toute rotation accidentelle du luminaire pendant le nettoyage, remplacement de lampe, etc.
- 6) Sur le côté du luminaire avec les fils du luminaire, passez les fils du luminaire par un tube fileté court[B]. Vissez le tube fileté court en haut de la tige.
- 7) Sur le côté opposé du luminaire (sans les fils du luminaire), vissez un tube fileté court sur le dessus de la tige.
- 8) Passez les fils du luminaire par le trou situé dans le cache[H]. Abaissez le cache vers les tiges. Passez chaque trou dans le cache sur les extrémités des tubes filetés situés au-dessus des tiges.
- 9) Sur le côté du luminaire avec les fils du luminaire, passez les fils du luminaire par une boucle du câble de sécurité[D]. Passez une boucle du câble de sécurité sur l'extrémité du tube fileté court sortant de l'intérieur du cache.

Instructions d'installation (suite)

- 10) Passez les fils du luminaire par la rondelle de blocage[E]. Placez une rondelle de blocage sur l'extrémité du tube fileté court sortant de l'intérieur du cache.
- 11) Passez les fils du luminaire par l'écrou hexagonal[F]. Vissez l'écrou hexagonal sur l'extrémité du tube fileté court.
REMARQUE : Les fils du luminaire ne doivent pas être coupés à moins de 50 cm (20 po) du dessus du cache.
- 12) Sur le côté opposé du luminaire (sans les fils du luminaire), placez une rondelle de blocage sur l'extrémité du tube fileté court sortant de l'intérieur du cache. Vissez l'écrou hexagonal sur l'extrémité du tube fileté court (voir illustration).
- 13) Localisez les trous filetés appropriés sur le support de montage[G]. Vissez les vis de montage[J] dans les trous filetés (si elles ne sont pas déjà installées).
- 14) Fixez le support de montage sur la boîte à prises[C] avec les vis de fixation du support[I]. Le support de montage peut être réglé en fonction de la position du luminaire.
- 15) Connecter les fils. Se reporter au tableau ci-dessous pour faire les connexions.

Connecter le fil noir ou rouge de la boîte	Connecter le fil blanc de la boîte
A Noir	A Blanc
*Au cordon parallèle (rond et lisse)	*Au cordon parallèle (à angles droits et strié)
Au transparent, doré, marron, ou noir sans fil distinctif	Au transparent, doré, marron, ou noir avec un fil distinctif
Fil isolé (sauf fil vert) avec conducteur en cuivre	Fil isolé (sauf fil vert) avec conducteur en argent

*Remarque: Avec emploi d'un fil parallèle (SPT 1 et SPT 2). Le fil neutre est à angles droits ou strié et l'autre fil doit être rond ou lisse (Voir le schéma).



- 16) Fixez le câble de sécurité[D] sur la support de montage ou à l'intérieur du boîtier de sortie.
- 17) Poussez luminaire au plafond, en passant soigneusement les vis de montage à travers des trous dans le cache[H].
REMARQUE : Vous assurer que tous les fils sont dans le cache et ne se retrouvent pas pincés entre le cache et le plafond.
- 18) Utilisez les boutons[K] et les rondelles de blocage[N] pour sécuriser le cache. Serrez pour sécuriser.
- 19) Installez les ampoules recommandées (Non fournies).

MONTAGE AVEC UNE BOUCLE / UN MAILLON DE CHAÎNE

- 1) Suivez les étapes 1 à 5 des instructions sur un "Montage sur tige rigide".
- 2) Vissez un tube fileté court[B] dans l'extrémité de chaque petite boucle[Q, L].
- 3) Sur le côté du luminaire avec les fils du luminaire, passez les fils du luminaire par la première boucle[Q]. Vissez la première boucle sur l'extrémité de la dernière tige.
- 4) Passez les fils du luminaire par la deuxième boucle[L] puis par le trou dans le cache[H]. Passez le tube fileté court à l'extrémité de la deuxième boucle par le trou situé dans le cache.
- 5) Passez les fils du luminaire par le trou situé dans le câble de sécurité[D]. Passez une boucle du câble de sécurité sur l'extrémité du tube fileté court sortant de l'intérieur du cache.
- 6) Passez les fils du luminaire par la rondelle de blocage[E]. Placez une rondelle de blocage sur l'extrémité du tube fileté court sortant de l'intérieur du cache.
- 7) Passez les fils du luminaire par l'écrou hexagonal[F]. Vissez l'écrou hexagonal sur l'extrémité du tube fileté court.
REMARQUE : Les fils du luminaire ne doivent pas être coupés à moins de 50 cm (20 po) du dessus du cache.
- 8) Sur le côté opposé du luminaire (sans les fils du luminaire), vissez la première boucle[Q] sur l'extrémité de la dernière tige. Passez le tube fileté à l'extrémité de la deuxième boucle[L] par le trou situé dans le cache et fixez-la avec une rondelle de blocage et un écrou hexagonal (voir illustration).
- 9) Fixez le maillon ouvert[M] aux petites boucles à l'extrémité de chaque tige et à chaque boucle du cache et fermez le maillon ouvert en plaçant un morceau de tissu sur le maillon ouvert et, à l'aide d'une paire de pinces, serrez soigneusement le maillon pour le fermer.
- 10) Suivez les étapes de 13 à 19 des instructions sur "Montage sur tige rigide".