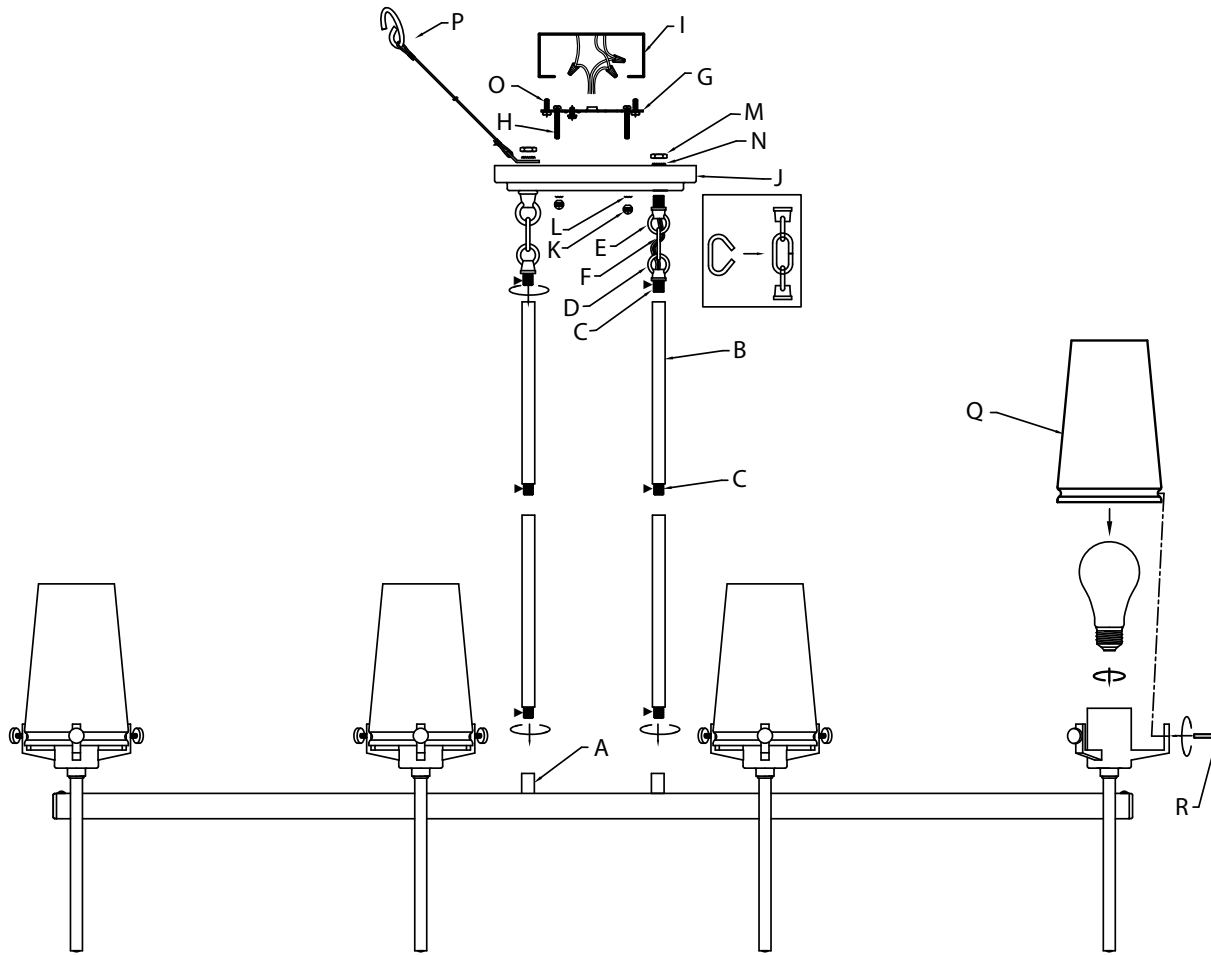


Fixture Diagram



Parts List

- |                          |                     |                           |
|--------------------------|---------------------|---------------------------|
| [A] Coupling             | [G] Mounting Strap  | [N] Lockwasher            |
| [B] Stem                 | [H] Mounting Screws | [O] Strap Mounting Screws |
| [C] Short Threaded Tubes | [I] Outlet Box      | [P] Safety Cable          |
| [D] First Loop           | [J] Canopy          | [Q] Glass                 |
| [E] Second Loop          | [K] Knobs           | [R] Glass Retainer Screws |
| [F] Chain Link           | [L] Lockwashers     |                           |
|                          | [M] Hexnut          |                           |

Cautions

**CAUTION – RISK OF SHOCK –**  
Disconnect Power at the main circuit breaker panel or main fusebox before starting and during the installation.

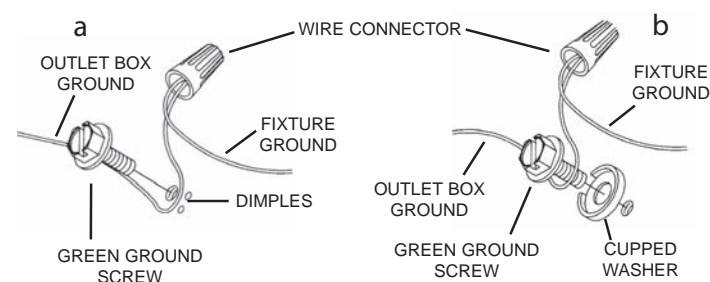
**WARNING:**  
This fixture is intended for installation in accordance with the National Electrical Code (NEC) and all local code specifications. If you are not familiar with code requirements, installation by a certified electrician is recommended.

Installation Instructions

**RIGID STEM MOUNT**

- 1) Pass wire through stems[B] and small threaded tubes[C] and screw stems into couplings[A] on top of fixture body. **NOTE:** Thread locking compound must be applied to all stem threads as noted with symbol (▶) to prevent accidental rotation of fixture during cleaning, relamping, etc.
- 2) **NOTE:** A minimum of two (2) 12 inch stems must be used when mounting of fixture, one (1) per side. Pass fixture wire through remaining stems and screw stems together.
- 3) On side of fixture with fixture wire, pass fixture wire through one small threaded pipe[C]. Screw a small threaded pipe onto top of stem on each side.
- 4) Pass fixture wire through hole in canopy[J], lower canopy down towards stems, and pass holes in canopy over end of each threaded pipe on top of stems.
- 5) Pass fixture wire through lockwasher[N]. Place lockwasher onto end of threaded pipe protruding from inside canopy. Pass fixture wire through hexnut[M]. Thread hexnut onto end of threaded pipe.
- 6) On other side of fixture, slip loop of safety cable[P] over end of threaded pipe protruding from inside of canopy. Place lockwasher[N] onto end of threaded pipe. Thread hexnut[M] onto end of threaded pipe.
- 7) Find the appropriate threaded holes on mounting strap[G]. Assemble mounting screws[H] into threaded holes.
- 8) Attach mounting strap to outlet box[I] using the strap mounting screws[O]. The mounting strap can be adjusted to suit position of fixture.
- 9) Grounding instructions: (See Illus. a or b).
  - a) On fixtures where mounting strap is provided with a hole and two raised dimples, wrap ground wire from outlet box around green ground screw, and thread into hole.
  - b) On fixtures where a cupped washer is provided, attach ground wire from outlet box under cupped washer and green ground screw, then thread into mounting strap.

If fixture is provided with ground wire, connect fixture ground wire to outlet box ground wire with wire connector after following the above steps. Never connect ground wire to black or white power supply wires.

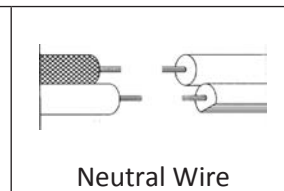


Installation Instructions (continued)

- 10) Make wire connection. Reference chart below for correct connections and wire accordingly.

Connect Black or Red Supply Wire to:	Connect White Supply Wire to:
Black	White
*Parallel cord (round & smooth)	*Parallel cord (square & ridged)
Clear, Brown, Gold or Black without Tracer	Clear, Brown, Gold or Black with Tracer
Insulated wire (other than green) with copper conductor	Insulated wire (other than green) with silver conductor

\*Note: When parallel wire (SPT 1 & SPT 2) are used. The neutral wire is square shaped or ridged and the other wire will be round in shape or smooth (see illus.)

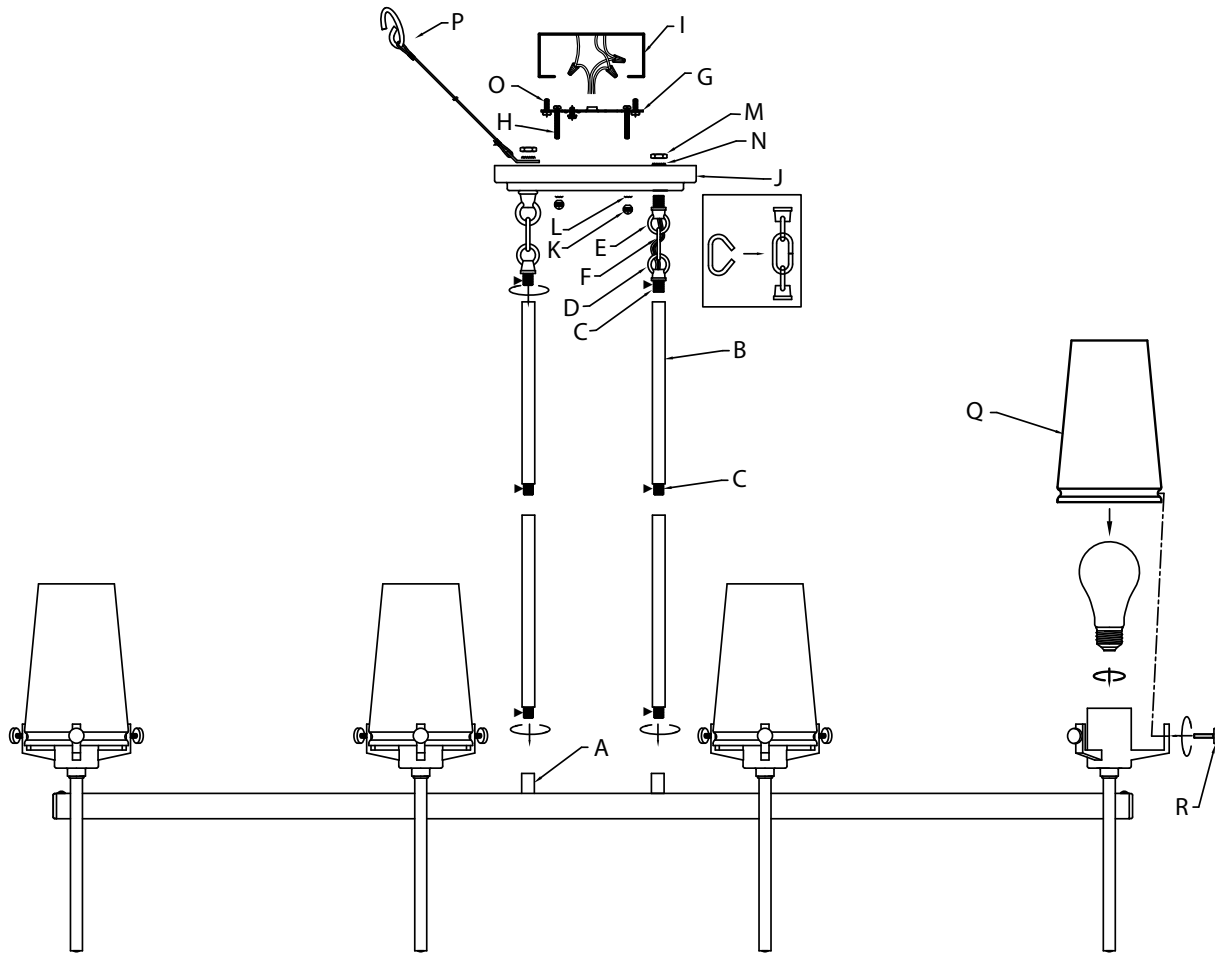


- 11) Push fixture to ceiling, carefully passing mounting screws through holes in canopy[J]. **NOTE:** Be certain wires do not get pinched between canopy and ceiling.
- 12) Use knobs[K] and lockwashers[L] to secure canopy. Tighten to secure.
- 13) Insert recommended bulbs. (Not supplied).
- 14) Place the glass[Q] over the installed bulbs and secure into place with the glass retainer screws[R], three (3) per glass.

**LOOP/CHAIN LINK MOUNT**

- 1) Follow steps 1 and 2 from "RIGID STEM MOUNT" Instructions.
- 2) Thread one small threaded pipe[C] into end of each small loop[D],[E].
- 3) Pass fixture wire through first loop[D]. Thread first loop onto end of each last stem.
- 4) On side of fixture with fixture wire, pass fixture wire through second loop[E] and through hole in canopy[J]. Pass threaded pipe at end of second loop through hole in canopy.
- 5) Pass fixture wire through lockwasher[N]. Place lockwasher onto end of threaded pipe protruding from inside canopy. Pass fixture wire through hexnut[M]. Thread hexnut onto end of threaded pipe.
- 6) On other side of fixture, pass threaded pipe at end of second loop through hole in canopy.
- 7) Slip loop of safety cable[P] over end of threaded pipe protruding from inside of canopy. Place lockwasher onto end of threaded pipe. Thread hexnut onto end of threaded pipe.
- 8) Attach open chain link[F] to small loop at end of each stem and to each loop on canopy and close the open chain link by placing a piece of cloth over the open link and using a pair of pliers gently squeeze the link closed.
- 9) Follow steps 7 - 14 from "RIGID STEM MOUNT" Instructions.

Diagrama de Accesorios



Lista de Partes

- |                           |                            |                                       |
|---------------------------|----------------------------|---------------------------------------|
| [A] Acoplamiento          | [H] Tornillos de Montaje   | [O] Tornillos de Montaje de la Correa |
| [B] Vástago               | [I] Caja de Salida         | [P] Cable de Seguridad                |
| [C] Tubos Roscados Cortos | [J] Cubierta               | [Q] Vidrio                            |
| [D] Primer Bucle          | [K] Perillas               | [R] Tornillos de Retención de Vidrio  |
| [E] Segundo Bucle         | [L] Arandelas de Seguridad |                                       |
| [F] Cadena                | [M] Tuerca Hexagonal       |                                       |
| [G] Correa de Montaje     | [N] Arandela de Seguridad  |                                       |

Precauciones

**PRECAUCIÓN – RIESGO DE DESCARGA ELÉCTRICA –** Desconecte la electricidad en el panel principal del interruptor automático o caja principal de fusibles antes de comenzar y durante la instalación.

**ADVERTENCIA:** Este accesorio está destinado a la instalación de acuerdo con el National Electrical Code (NEC) y todas las especificaciones del código local. Si no está familiarizado con los requisitos del código, la instalación se recomienda un electricista certificado.

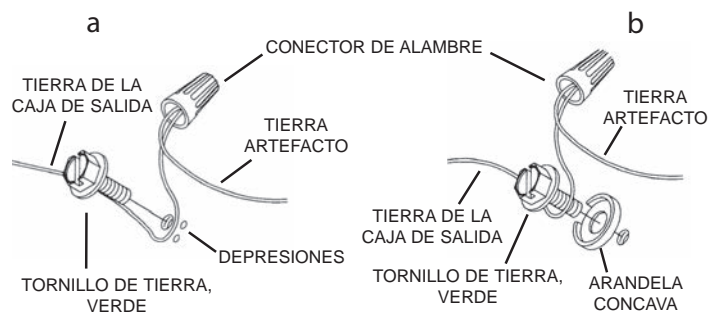
Instrucciones de Instalación

**MONTAJE CON VÁSTAGO RÍGIDO**

- Pase el cable a través de los vástagos[B] y los tubos roscados cortos[C] y enrosque los vástagos en los acoplamientos[A] en la parte superior del cuerpo del aparato.  
**NOTA:** El compuesto de bloqueo de rosca debe aplicarse a todas las roscas del vástago como se indica con el símbolo de flecha (▶) para evitar la rotación accidental del aparato durante la limpieza, el relamping, etc.
- NOTA:** Se debe usar un mínimo de dos (2) vástagos de 12 pulgadas cuando se monte el aparato, uno (1) por lado. Pase el cable del aparato a través de los vástagos restantes y enrósquelos entre sí.
- Del lado con el cable del aparato, pase el cable del aparato a través de un tubo roscado corto[C]. Enrosque un tubo roscado corto en la parte superior del vástago en cada lado.
- Pase el cable del aparato a través del orificio en la cubierta[J], baje la cubierta hacia los vástagos, y pase los orificios en la cubierta sobre los extremos de cada tubo roscado en la parte superior de los vástagos.
- Pase el cable del aparato a través de la arandela de seguridad[N]. Coloque la arandela de seguridad en el extremo del tubo roscado que sobresale desde el interior de la cubierta. Pase el cable del aparato a través de la tuerca hexagonal[M]. Enrosque la tuerca hexagonal en el extremo del tubo roscado.
- En el otro lado del aparato, deslice el anillo del cable de seguridad[P] sobre el extremo del tubo roscado que sobresale desde el interior de la cubierta. Coloque la arandela de seguridad[N] en el extremo del tubo roscado. Enrosque la tuerca hexagonal[M] en el extremo del tubo roscado.
- Encuentre los orificios roscados adecuados en la correa de montaje[G]. Montar los tornillos de montaje[H] en los orificios roscados.
- Fije la correa de montaje a la caja de salida[I] con los tornillos de montaje de la correa[O]. La correa de montaje se puede ajustar para adaptarse a la posición del aparato.
- Instrucciones de conexión a tierra solamente para los Estados Unidos. (Vea la ilustración a o b).
  - En las lámparas que tienen el fleje, de montaje con un agujero y dos hoyuelos realzados, enrollar el alambre a tierra de la caja tomacorriente alrededor del tornillo verde y pasarlo por el agujero.
  - En las lámparas con una arandela acopada, fijar el alambre a tierra de la caja tomacorriente del ajo de la arandela acuada y tornillo verde, y pasar por el fleje de montaje.

Si la lámpara viene con alambre a tierra, conectar el alambre a tierra de la lámpara al alambre a tierra de la caja tomacorriente con un conector de alambres después de seguir los pasos anteriores. Nunca conectar el alambre a tierra a los alambres eléctricos negro o blanco.

Instrucciones de Instalación (continuación)



10) Haga las conexiones de los alambres. La tabla de referencia de abajo indica las conexiones correctas y los alambres correspondientes.

Conectar el alambre de suministro negro o rojo al	Conectar el alambre de suministro blanco al
Negro	Blanco
*Cordon paralelo (redondo y liso)	*Cordon paralelo (cuadrado y estriado)
Claro, marrón, amarillo o negro sin hebra identificadora	Claro, marrón, amarillo o negro con hebra identificadora
Alambre aislado (diferente del verde) con conductor de cobre	Alambre aislado (diferente del verde) con conductor de plata

\*Nota: Cuando se utiliza alambre paralelo (SPT 1 y SPT 2). El alambre neutro es de forma cuadrada o estriada y el otro alambre será de forma redonda o lisa. (Vea la ilustración).

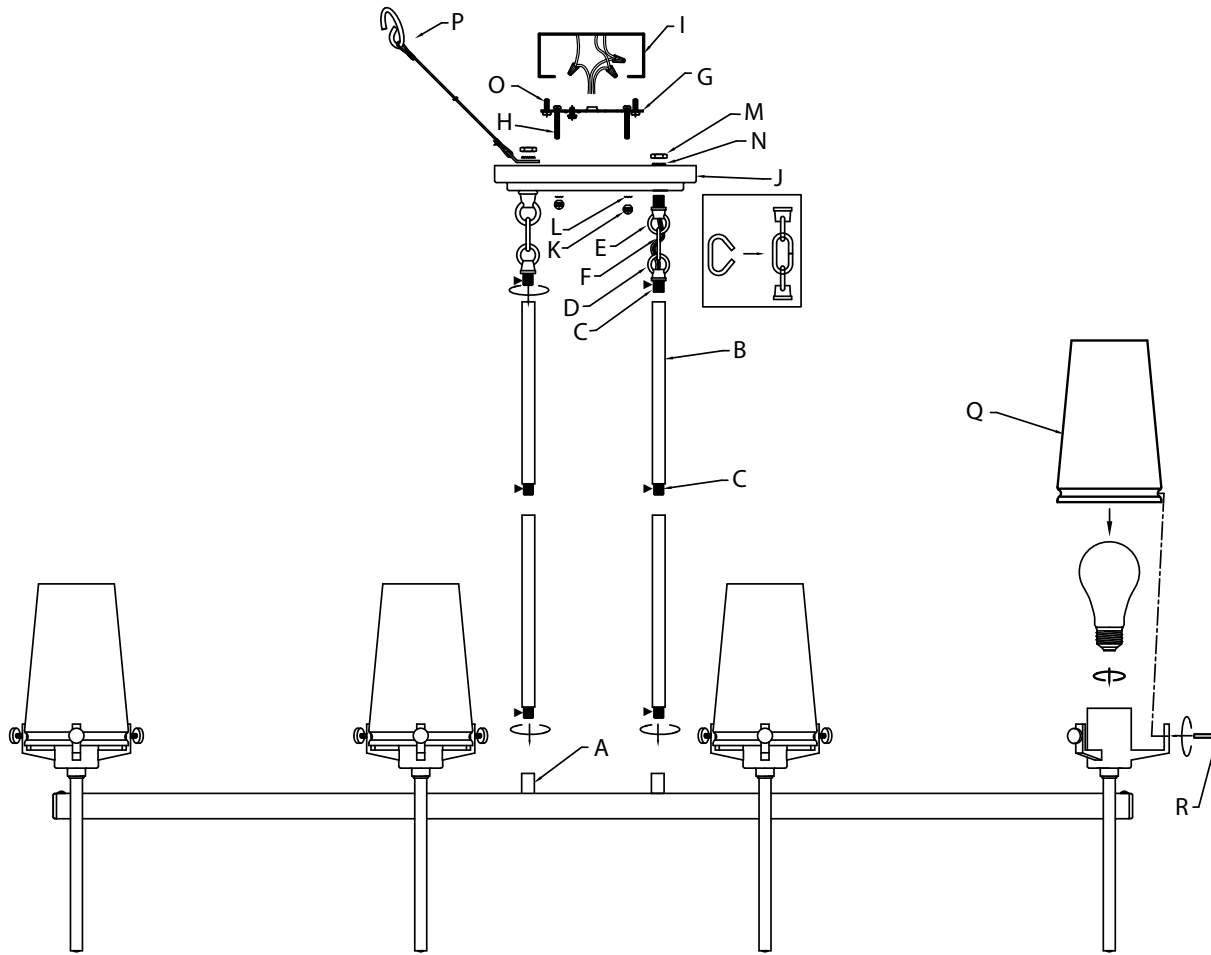
Hilo Neutral

- Empuje la fijación al techo, pasando cuidadosamente los tornillos de montaje a través de los orificios de la cubierta[J]. **NOTA:** Asegúrese de que los cables no queden atrapados entre la cubierta y el techo.
- Utilice las perillas[K] y las arandelas de seguridad[L] para asegurar la cubierta. Apriete para asegurar.
- Instale las bombillas recomendadas (No suministradas).
- Coloque el vidrio[Q] sobre las bombillas instaladas y asegúrelo en su lugar con los tornillos de retención de vidrio[R], tres (3) por vidrio.

**MONTAJE CON ESLABÓN DE CADENA/BUCLE**

- Siga los pasos 1 y 2 de las Instrucciones para "MONTAJE CON VÁSTAGO RÍGIDO".
- Enrosque un tubo roscado corto[C] en el extremo de cada bucle pequeño[D], [E].
- Pase el cable del aparato a través del primer bucle[D]. Enrosque el primer bucle en el extremo de cada último vástago.
- Del lado del aparato con el cable, pase el cable del aparato a través del segundo bucle[E] y del orificio en la cubierta[J]. Pase el tubo roscado en el extremo del segundo bucle a través del orificio en la cubierta.
- Pase el cable del aparato a través de la arandela de seguridad[N]. Coloque la arandela de seguridad en el extremo del tubo roscado que sobresale desde el interior de la cubierta. Pase el cable del aparato a través de la tuerca hexagonal[M]. Enrosque la tuerca hexagonal en el extremo del tubo roscado.
- En el otro lado del aparato, pase el tubo roscado en el extremo del segundo bucle a través del orificio en la cubierta.
- Deslice el anillo del cable de seguridad[P] sobre el extremo del tubo roscado que sobresale desde el interior de la cubierta. Coloque la arandela de seguridad en el extremo del tubo roscado. Enrosque la tuerca hexagonal en el extremo del tubo roscado.
- Enganche el eslabón de cadena abierto[F] al bucle pequeño en el extremo de cada vástago y a cada bucle en la cubierta y cierre el eslabón de cadena abierto colocando un paño sobre el eslabón abierto y usando una pinza apriete suavemente hasta cerrarlo.
- Siga los pasos 7-14 de las Instrucciones para "MONTAJE CON VÁSTAGO RÍGIDO".

Fixture Diagram



Parts List

- |                          |                     |                           |
|--------------------------|---------------------|---------------------------|
| [A] Coupling             | [G] Mounting Strap  | [N] Lockwasher            |
| [B] Stem                 | [H] Mounting Screws | [O] Strap Mounting Screws |
| [C] Short Threaded Tubes | [I] Outlet Box      | [P] Safety Cable          |
| [D] First Loop           | [J] Canopy          | [Q] Glass                 |
| [E] Second Loop          | [K] Knobs           | [R] Glass Retainer Screws |
| [F] Chain Link           | [L] Lockwashers     |                           |
|                          | [M] Hexnut          |                           |

Cautions

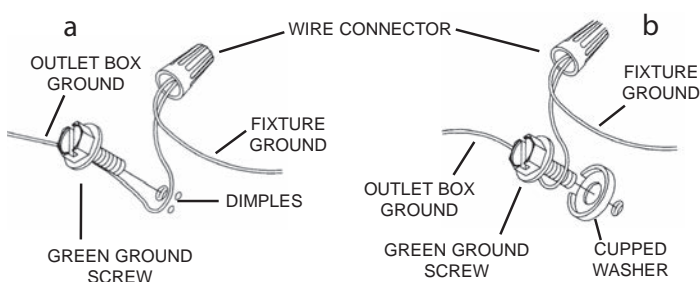
**CAUTION – RISK OF SHOCK –**  
Disconnect Power at the main circuit breaker panel or main fusebox before starting and during the installation.

**WARNING:**  
This fixture is intended for installation in accordance with the National Electrical Code (NEC) and all local code specifications. If you are not familiar with code requirements, installation by a certified electrician is recommended.

Installation Instructions

**RIGID STEM MOUNT**

- 1) Pass wire through stems[B] and small threaded tubes[C] and screw stems into couplings[A] on top of fixture body. **NOTE:** Thread locking compound must be applied to all stem threads as noted with symbol (▶) to prevent accidental rotation of fixture during cleaning, relamping, etc.
  - 2) **NOTE:** A minimum of two (2) 12 inch stems must be used when mounting of fixture, one (1) per side. Pass fixture wire through remaining stems and screw stems together.
  - 3) On side of fixture with fixture wire, pass fixture wire through one small threaded pipe[C]. Screw a small threaded pipe onto top of stem on each side.
  - 4) Pass fixture wire through hole in canopy[J], lower canopy down towards stems, and pass holes in canopy over end of each threaded pipe on top of stems.
  - 5) Pass fixture wire through lockwasher[N]. Place lockwasher onto end of threaded pipe protruding from inside canopy. Pass fixture wire through hexnut[M]. Thread hexnut onto end of threaded pipe.
  - 6) On other side of fixture, slip loop of safety cable[P] over end of threaded pipe protruding from inside of canopy. Place lockwasher[N] onto end of threaded pipe. Thread hexnut[M] onto end of threaded pipe.
  - 7) Find the appropriate threaded holes on mounting strap[G]. Assemble mounting screws[H] into threaded holes.
  - 8) Attach mounting strap to outlet box[I] using the strap mounting screws[O]. The mounting strap can be adjusted to suit position of fixture.
  - 9) Grounding instructions: (See Illus. a or b).
    - a) On fixtures where mounting strap is provided with a hole and two raised dimples, wrap ground wire from outlet box around green ground screw, and thread into hole.
    - b) On fixtures where a cupped washer is provided, attach ground wire from outlet box under cupped washer and green ground screw, then thread into mounting strap.
- If fixture is provided with ground wire, connect fixture ground wire to outlet box ground wire with wire connector after following the above steps. Never connect ground wire to black or white power supply wires.

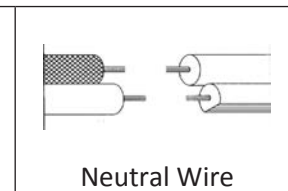


Installation Instructions (continued)

- 10) Make wire connection. Reference chart below for correct connections and wire accordingly.

Connect Black or Red Supply Wire to:	Connect White Supply Wire to:
Black	White
*Parallel cord (round & smooth)	*Parallel cord (square & ridged)
Clear, Brown, Gold or Black without Tracer	Clear, Brown, Gold or Black with Tracer
Insulated wire (other than green) with copper conductor	Insulated wire (other than green) with silver conductor

\*Note: When parallel wire (SPT 1 & SPT 2) are used. The neutral wire is square shaped or ridged and the other wire will be round in shape or smooth (see illus.)

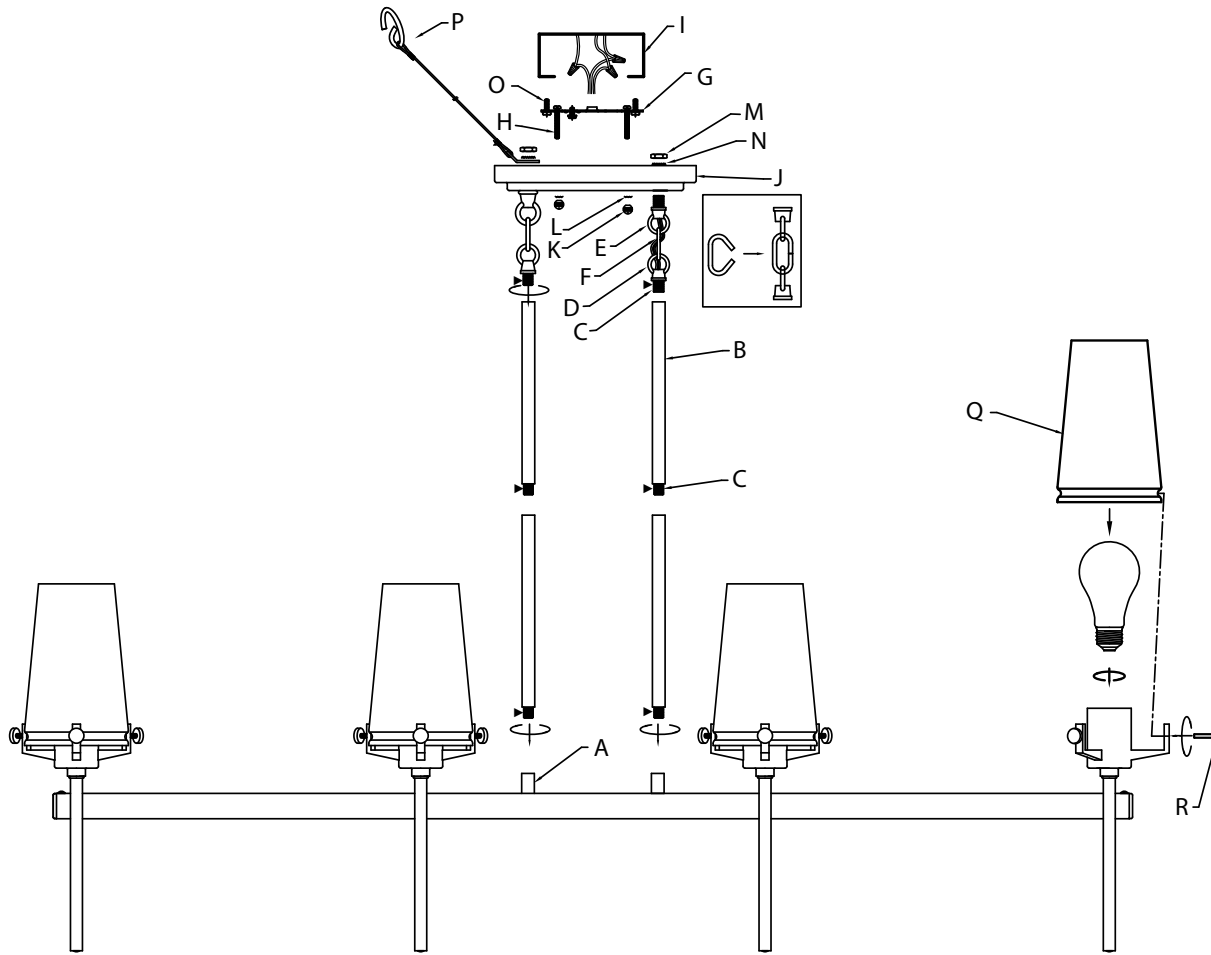


- 11) Push fixture to ceiling, carefully passing mounting screws through holes in canopy[J]. **NOTE:** Be certain wires do not get pinched between canopy and ceiling.
- 12) Use knobs[K] and lockwashers[L] to secure canopy. Tighten to secure.
- 13) Insert recommended bulbs. (Not supplied).
- 14) Place the glass[Q] over the installed bulbs and secure into place with the glass retainer screws[R], three (3) per glass.

**LOOP/CHAIN LINK MOUNT**

- 1) Follow steps 1 and 2 from "RIGID STEM MOUNT" Instructions.
- 2) Thread one small threaded pipe[C] into end of each small loop[D],[E].
- 3) Pass fixture wire through first loop[D]. Thread first loop onto end of each last stem.
- 4) On side of fixture with fixture wire, pass fixture wire through second loop[E] and through hole in canopy[J]. Pass threaded pipe at end of second loop through hole in canopy.
- 5) Pass fixture wire through lockwasher[N]. Place lockwasher onto end of threaded pipe protruding from inside canopy. Pass fixture wire through hexnut[M]. Thread hexnut onto end of threaded pipe.
- 6) On other side of fixture, pass threaded pipe at end of second loop through hole in canopy.
- 7) Slip loop of safety cable[P] over end of threaded pipe protruding from inside of canopy. Place lockwasher onto end of threaded pipe. Thread hexnut onto end of threaded pipe.
- 8) Attach open chain link[F] to small loop at end of each stem and to each loop on canopy and close the open chain link by placing a piece of cloth over the open link and using a pair of pliers gently squeeze the link closed.
- 9) Follow steps 7 - 14 from "RIGID STEM MOUNT" Instructions.

Diagramme d'appareils



Liste des Pièces

- |                        |                              |                                  |
|------------------------|------------------------------|----------------------------------|
| [A] L'accouplement     | [I] Boîte de Sortie          | [O] Vis de Fixation de la Sangle |
| [B] Tige               | [J] Canopée                  | [P] Câble de Sécurité            |
| [C] Petit Tuyau Fileté | [K] Boutons                  | [Q] Verre                        |
| [D] Première Boucle    | [L] Systèmes de Verrouillage | [R] Vis de Fixation du Verre     |
| [E] Deuxième Boucle    | [M] Écrou Hexagonal          |                                  |
| [F] Maillon de Chaîne  | [N] Rondelle de Verrouillage |                                  |
| [G] Sangle de Fixation |                              |                                  |
| [H] Vis de Montage     |                              |                                  |

Précautions

**ATTENTION – RISQUE DE DÉCHARGES ÉLECTRIQUES - Couper le courant au niveau du panneau du disjoncteur du circuit principal ou de la boîte à fusibles principale avant de procéder à l'installation.**

**ATTENTION:**  
Ce luminaire doit être installé conformément aux codes d'électricité nationaux (NEC) et satisfaire toutes les spécifications des codes locaux. Si vous ne connaissez pas les exigences de ces codes, il est recommandé de confier l'installation à un électricien certifié.

Instructions d'installation

MONTAGE SUR TIGE RIGIDE

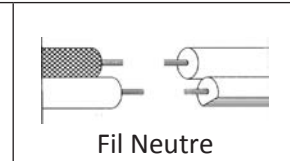
- 1) Passez le fil à travers les tiges [B] et les petits tubes filetés [C] et vissez les tiges dans les accouplements [A] sur le dessus du luminaire. **REMARQUE:** le composé de verrouillage de filetage doit être appliqué à tous les fils de la tige comme indiqué avec un symbole fléché (▶) pour empêcher la rotation accidentelle du luminaire pendant le nettoyage, la relamping, etc.
- 2) **REMARQUE :** Au moins deux (2) tiges de 12 pouces doivent être utilisées pour le montage du luminaire, une (1) par côté. Passez le fil du luminaire à travers les tiges qui restent et vissez les tiges ensemble.
- 3) Sur le côté du luminaire qui porte le fil, passez le fil du luminaire à travers un petit tuyau fileté [C]. Vissez un petit tuyau fileté sur le dessus de la tige de chaque côté.
- 4) Passez le fil du luminaire à travers le trou dans le cache [J], abaissez le cache sur les tiges, et passez les trous dans le cache par-dessus l'extrémité de chaque tuyau fileté sur le dessus des tiges.
- 5) Passez le fil du luminaire à travers la rondelle de verrouillage [N]. Placez la rondelle de verrouillage sur l'extrémité du tuyau fileté qui sort de l'intérieur du cache. Passez le fil du luminaire à travers l'écrou hexagonal [M]. Vissez l'écrou hexagonal sur l'extrémité du tuyau fileté.
- 6) De l'autre côté du luminaire, glissez la boucle du câble de sécurité [P] par-dessus l'extrémité du tuyau fileté qui sort de l'intérieur du cache. Placez la rondelle de verrouillage [N] sur l'extrémité du tuyau fileté. Vissez l'écrou hexagonal [M] sur l'extrémité du tuyau fileté.
- 7) Trouvez les trous taraudés appropriés sur sangle de fixation [G]. Monter les vis de montage [H] dans les trous filetés.
- 8) Attachez la sangle de fixation à la boîte de sortie [I] à l'aide des vis de fixation de la sangle [O]. sangle de fixation peut être ajustée en fonction de la position de montage.

Instructions d'installation (suite)

- 9) Connecter les fils. Se reporter au tableau ci-dessous pour faire les connexions.

Connecter le fil noir ou rouge de la boîte	Connecter le fil blanc de la boîte
A Noir	A Blanc
*Au cordon parallèle (rond et lisse)	*Au cordon parallèle (à angles droits et strié)
Au transparent, doré, marron, ou noir sans fil distinctif	Au transparent, doré, marron, ou noir avec un til distinctif
Fil isolé (sauf fil vert) avec conducteur en cuivre	Fil isolé (sauf fil vert) avec conducteur en argent

\*Remarque: Avec emploi d'un fil parallèle (SPT 1 et SPT 2). Le fil neutre est à angles droits ou strié et l'autre fil doit être rond ou lisse (Voir le schéma).



- 10) Poussez fixation au plafond, en passant soigneusement les vis de montage à travers des trous dans la canopée [J].  
**REMARQUE :** Vous assurer que tous les fils sont dans le canopée et ne se retrouvent pas pincés entre le canopée et le plafond.
- 11) Utilisez les boutons [K] et les systèmes de verrouillage [L] pour sécuriser le canopée. Serrez pour sécuriser.
- 12) Installez les ampoules recommandées (Non fournies).
- 13) Placez le verre [Q] sur les ampoules installées et fixez avec les vis de fixation du verre [R], trois (3) par verre.

MONTAGE BOUCLE/MAILLON DE CHAÎNE

- 1) Suivez les Étapes 1 et 2 des instructions de "MONTAGE SUR TIGE RIGIDE".
- 2) Vissez un petit tuyau fileté [C] sur l'extrémité de chaque petite boucle [D], [E].
- 3) Passez le fil du luminaire à travers la première boucle [D]. Vissez la première boucle sur l'extrémité de chacune des dernières tiges.
- 4) Sur le côté du luminaire qui porte le fil, passez le fil du luminaire à travers la deuxième boucle [E] et à travers le trou dans le cache [J]. Passez le tuyau fileté à l'extrémité de la deuxième boucle à travers le trou dans le cache.
- 5) Passez le fil du luminaire à travers la rondelle de verrouillage [N]. Placez la rondelle de verrouillage sur l'extrémité du tuyau fileté qui sort de l'intérieur du cache. Passez le fil du luminaire à travers l'écrou hexagonal [M]. Vissez l'écrou hexagonal sur l'extrémité du tuyau fileté.
- 6) De l'autre côté du luminaire, passez le tuyau fileté à l'extrémité de la deuxième boucle à travers le trou dans le cache.
- 7) Glissez la boucle du câble de sécurité [P] par-dessus l'extrémité du tuyau fileté qui sort de l'intérieur du cache. Placez la rondelle de verrouillage sur l'extrémité du tuyau fileté. Vissez l'écrou hexagonal sur l'extrémité du tuyau fileté.
- 8) Raccordez le maillon de chaîne ouvert [F] à la petite boucle à l'extrémité de chaque tige et à chaque boucle sur le cache et fermez le maillon ouvert en plaçant un morceau de tissu sur le maillon ouvert et à l'aide de pinces, serrez le lien pour le fermer.
- 9) Suivez les Étapes 7 à 13 des instructions de "MONTAGE SUR TIGE RIGIDE".