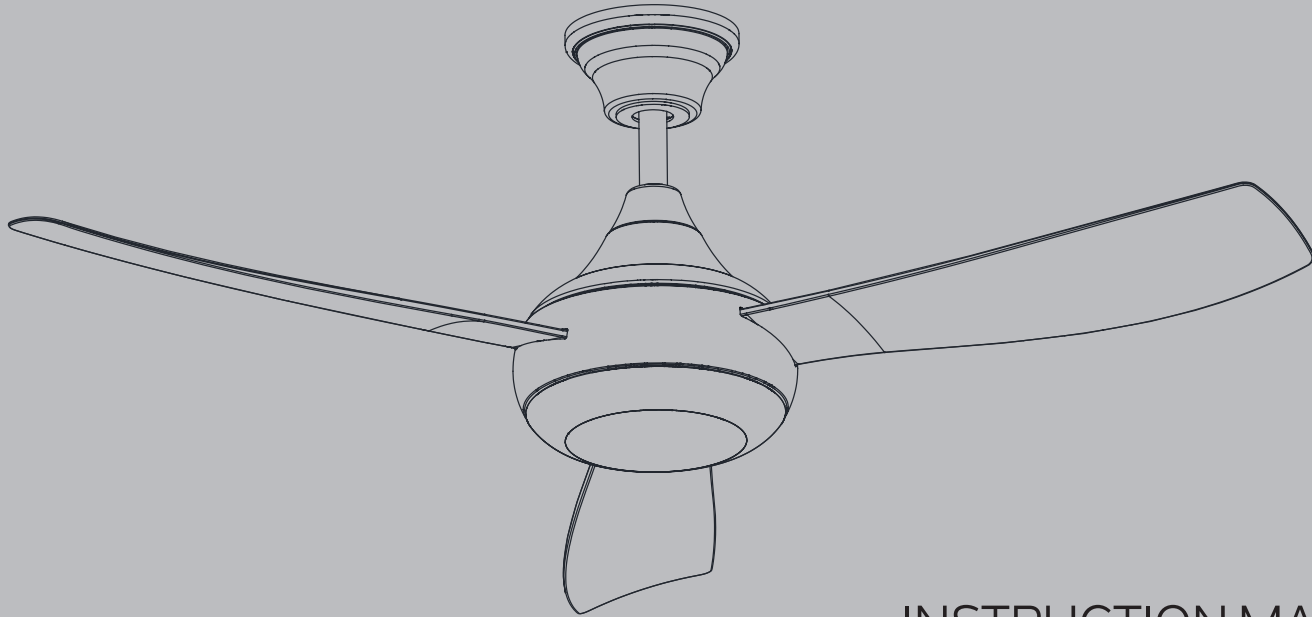


KICHLER®

54" Ample

Product images may vary slightly from actual product.



READ AND SAVE THESE INSTRUCTIONS

INSTRUCTION MANUAL
Model# 310354

TABLE OF CONTENTS

SAFETY RULES	4	INSTALLING THE MOUNTING PLATE.....	18
TOOLS AND MATERIALS REQUIRED	6	INSTALLING THE LIGHT KIT AND GLASS SHADE (IF NOT USING THE DECORATIVE COVER)	19
PACKAGE CONTENTS	6	INSTALLING THE DECORATIVE COVER (IF NOT USING THE LIGHT KIT AND GLASS SHADE)	20
MOUNTING OPTIONS.....	7	INSTALLING THE COOLTOUCH WALL PLATE.....	21
HANGING THE FAN	8	INSTALLING THE TRANSMITTER	21
INSTALLATION OF SAFETY CABLE.....	12	OPERATING INSTRUCTIONS	22
ELECTRICAL CONNECTIONS.....	13	TROUBLESHOOTING.....	26
FINISHING THE INSTALLATION	16	FCC INFORMATION	28
ATTACHING THE FAN BLADES.....	18		

SAFETY RULES

READ AND SAVE THESE INSTRUCTIONS

WARNING: FOR CANADA, THIS FAN MUST BE SECURED DIRECTLY TO THE BUILDING STRUCTURE / CEILING JOIST. DON'T SECURE THIS FAN TO AN OUTLET BOX.

1. **CAUTION – RISK OF SHOCK:** Disconnect Power at the main circuit breaker panel or main fusebox before starting and during the installation.
2. **WARNING:** All wiring must be in accordance with the National Electrical Code “ANSI/NFPA 70” and local electrical codes. Electrical installation should be performed by a qualified licensed electrician.
3. **WARNING:** To reduce the risk of electric shock, this fan must be installed with a general-use, isolating wall control/switch.
4. **WARNING:** Not suitable for use with solid-state speed controls.
5. **WARNING:** To reduce the risk of fire, electric shock, or personal injury, mount to outlet box marked “acceptable for fan support of 15.9 kg (35 lbs.) or less” and use mounting screws provided with the outlet box. Most outlet boxes commonly used for the support of light fixtures are not acceptable for fan support and may need to be replaced. Due to the complexity of the installation of this fan, a qualified licensed electrician is strongly recommended.
6. The outlet box and support structure must be securely mounted and capable of reliably supporting a minimum of 15.9 kg (35 pounds). Use only cULus Listed outlet boxes marked “Acceptable for Fan Support of 15.9 kg (35 lbs) or less”.
7. The fan must be mounted with a minimum of 2.1 m (7 feet) clearance from the trailing edge of the blades to the floor.
8. To operate the reverse function on this fan, press the “Reverse” Button on the transmitter while fan is running.
9. Avoid placing objects in the path of the blades.
10. **WARNING:** make sure the power is disconnected before cleaning your fan.

SAFETY RULES (continued)

11. To avoid personal injury or damage to the fan and other items, be cautious when working around or cleaning the fan.
12. Do not use water or detergents when cleaning the fan or fan blades. A dry dust cloth or lightly dampened cloth will be suitable for most cleaning.
13. After making electrical connections, spliced conductors should be turned upward and pushed carefully up into outlet box. The wires should be spread apart with the grounded conductor and the equipment-grounding conductor on one side of the outlet box and the ungrounded conductor on the other side of the outlet box.
14. Electrical diagrams are reference only. Light kits that are not packed with the fan must be cULus Listed and marked suitable for use with the model fan you are installing. Switches must be cULus General Use Switches. Refer to the Instructions packaged with the light kits and switches for proper assembly.
15. All set screws must be checked, and retightened where necessary, before installation.

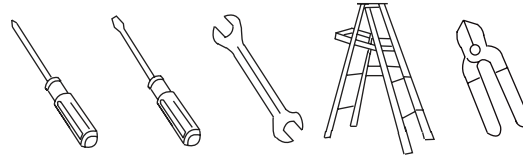
16. N.W. 9.0 KGS (19.84 LBS) / G.W. 10.34 KGS (22.8 LBS)

WARNING

TO REDUCE THE RISK OF PERSONAL INJURY, DO NOT BEND THE BLADE BRACKETS DURING ASSEMBLY OR AFTER INSTALLATION. DO NOT INSERT OBJECTS IN THE PATH OF THE BLADES.

TOOLS AND MATERIALS REQUIRED

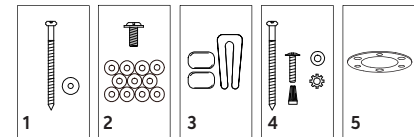
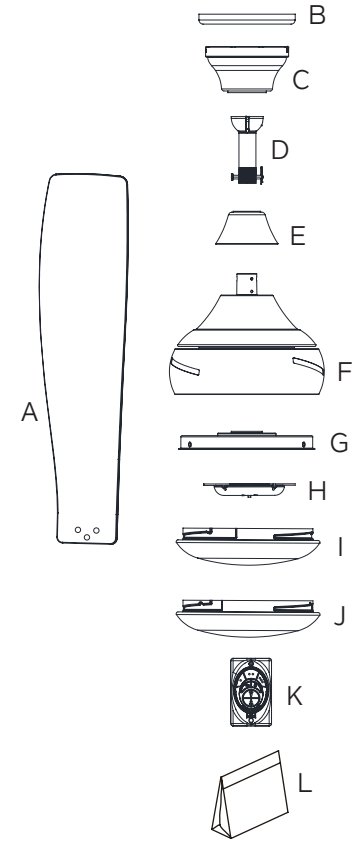
- Phillips Screwdriver
- Blade Screwdriver
- 11 mm Wrench
- Step Ladder
- Wire Cutters



PACKAGE CONTENTS

Unpack your fan and check the contents. You should have the following items:

- | | |
|--|---|
| <ul style="list-style-type: none"> A. Fan Blades (3) B. Decorative Ring C. Canopy & Ceiling Mounting Bracket D. Hanger Ball/Downrod Assembly E. Coupling Cover F. Fan Motor Assembly G. Mounting Plate H. LED light kit I. Glass Shade J. Decorative Cover K. Transmitter (TR250B) and Wall Plate | <ul style="list-style-type: none"> L. Package hardware <ul style="list-style-type: none"> 1) Safety Cable Hardware: Wood Screw (1), Flat Washer (1) 2) Blade attachment hardware: Blade Mounting Screws (11), Fiber Washers (11) 3) Balance kit 4) Mounting hardware: Wood Screws (2), Flat Washers (2), Star Washers (2), Wire Nuts (3), Screws (2) 5) Gasket |
|--|---|



MOUNTING OPTIONS

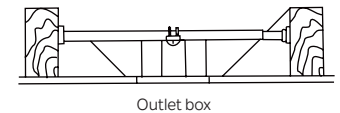
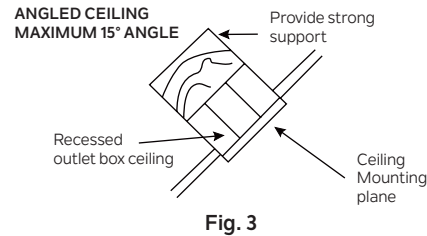
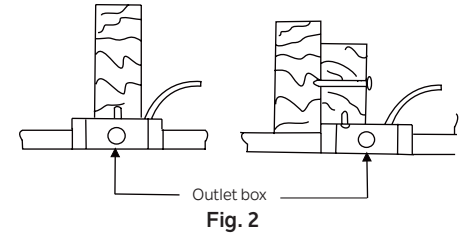
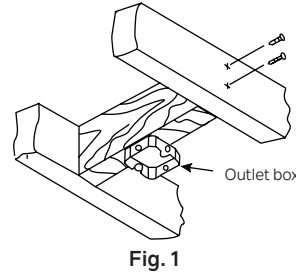
If there is not an existing UL (cUL for Canadian Installation) listed mounting box, then read the following instructions. Disconnect the power by removing fuses or turning off circuit breakers.

Secure the outlet box directly to the building structure. Use appropriate fasteners and building materials. The outlet box and its support must be able to fully support the full weight of the fan (up to 15.9kg (35 pounds)). Do not use plastic outlet boxes.

Figures 1, 2 and 3 are examples of different ways to mount the outlet box.

NOTE: If you are installing the ceiling fan on a sloped (vaulted) ceiling, you may need a longer downrod to maintain proper clearance between the tip of the blade and the ceiling. A minimum clearance of 12" is suggested for optimal operation.

NOTE: Depending on the location you have selected for installation, you may need to purchase and install a "Joist Hanger" for the support of the outlet box. Make sure the joist hanger you purchase has been designed for use with ceiling fans. (**Fig. 4**)



HANGING THE FAN

CAUTION: To avoid possible electrical shock, be sure you have turned off the power at the main circuit panel.

WARNING: All set screws must be checked, and retightened where necessary, before installation.

NOTE: This ceiling fan is supplied with two types of hanging assemblies; the standard ceiling installation using the downrod with ball and socket mounting and the "close-to-ceiling" installation. The "close-to-ceiling" installation is recommended in rooms with less than 8-foot ceilings or in areas where additional space is desired from the floor to the fan blades.

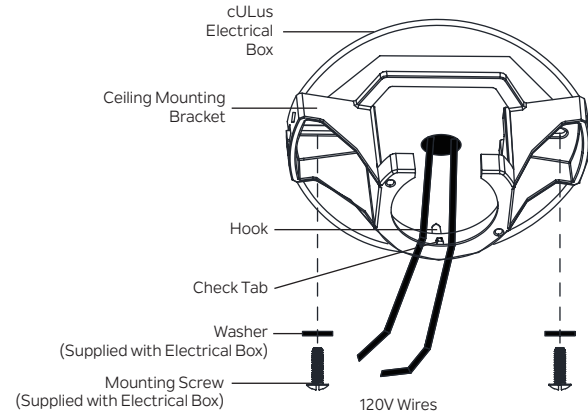


Fig. 5

HANGING THE FAN (continued)

Standard Ceiling Installation

WARNING: All set screws must be checked, and retightened where necessary, before installation.

Step 1. Pass the 120-volt supply wires through the center hole in the ceiling mounting bracket as shown in (Fig. 5).

Step 2. Secure the ceiling mounting bracket to the ceiling outlet box with the screws and washers provided with your outlet box.

Step 3. Remove the retaining clip and the hitch pin from the hanger ball/downrod assembly. Remove the hanger ball from the hanger ball/downrod assembly by loosening the set screw (do not remove) on the hanger ball, unscrewing and removing the cross pin, and unscrewing the hanger ball from the downrod. (Fig. 6)

Step 4. Loosen the two set screws (do not remove) in the coupling on top of the motor assembly. (Fig. 7)

Step 5. Carefully feed the electrical lead wires and safety cable from the coupling on top of the motor assembly up through the downrod. Thread the downrod into the coupling on top of the motor assembly until the hitch pin holes in the downrod and the hitch pin holes in the coupling are aligned. (Fig. 7)

Step 6. Carefully insert the hitch pin through the holes in the coupling and the downrod. (Fig. 7)

NOTE: Be careful not to jam the hitch pin against the wiring inside of the downrod.

Insert the retaining clip through the hole near the end of the hitch pin until it snaps into its locked position. (Fig. 7)

Step 7. Tighten the two set screws in the coupling on top of the motor assembly firmly. (Fig. 7)

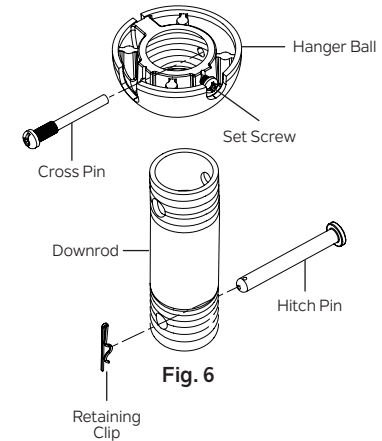


Fig. 6

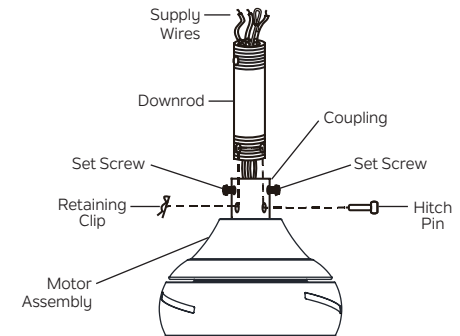


Fig. 7

HANGING THE FAN (continued)

Step 8. Slip the coupling cover, decorative ring (finished side facing motor), and canopy onto the downrod. (Fig. 8B).

Step 9. Carefully reinstall the hanger ball onto the downrod. Carefully reinstall the cross pin through the hanger ball and downrod. (Fig. 8A)

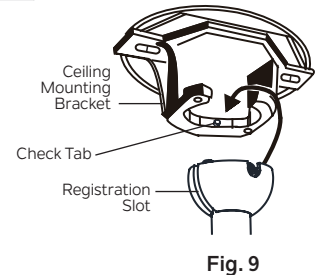
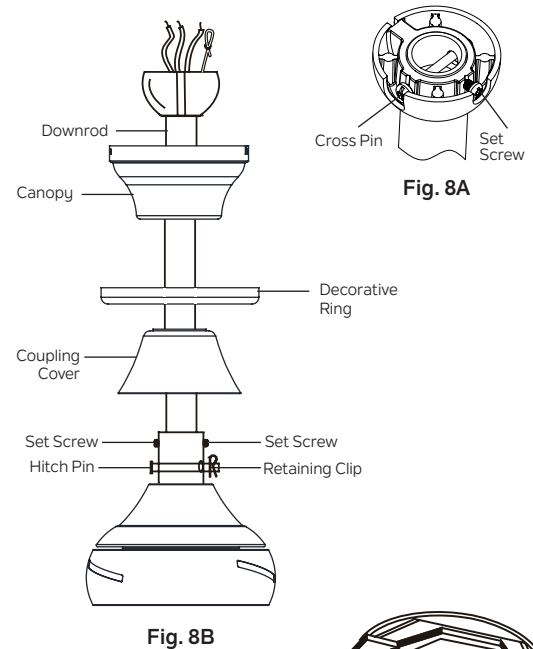
NOTE: Be careful not to jam the cross pin against the wiring inside of the downrod.

Make sure the cross pin is in the correct position. Tighten the cross pin. Tighten the set screw on the hanger ball. Make sure that the wires are not twisted. (Fig. 8A)

Step 10. Lift the motor assembly into position and place the hanger ball into the ceiling mounting bracket socket. Rotate the entire assembly until the “Check Tab” has dropped into the “Registration Slot” and seats firmly. (Fig. 9)

The entire motor assembly should not rotate (left or right) when seated properly.

WARNING: Failure to reattach the cross pin and seat the “Check Tab” can cause the fan to fall from the ceiling during operation. Take special care to make sure this pin is reattached.



HANGING THE FAN (continued)

Close-To-Ceiling Installation

Step 1. Pass the 120-volt supply wires through the center hole in the ceiling mounting bracket as shown in **Fig. 5**.

Step 3. Secure the ceiling mounting bracket to the ceiling outlet box with the screws and washers provided with your outlet box.

Step 2. Remove the canopy cover from the canopy by pushing out (**Fig. 10A**).

Step 4. Remove three of the six screws and lock washers (every other one) from the top of the motor assembly (**Fig. 10B**). Retain screws and lock washers.

Step 5. Place the gasket, then the decorative ring, then the canopy over the coupling at the top of the motor assembly. Align the holes in the canopy and gasket with the holes in the top of the motor assembly and fasten the gasket and the canopy to the motor assembly using the screws and lock washers that were removed in **Step 4**. (**Fig. 10B**).

Step 6. Tighten the screws securely (**Fig. 10B**).

WARNING: Failure to completely tighten the three screws in Step 6 could result in fan loosening and possibly falling.

Step 7. Hang the fan on the hook of the ceiling mounting bracket. Be certain that the canopy is fully locked into hook as shown in **Fig. 11**. This will allow you to make the electrical connections.

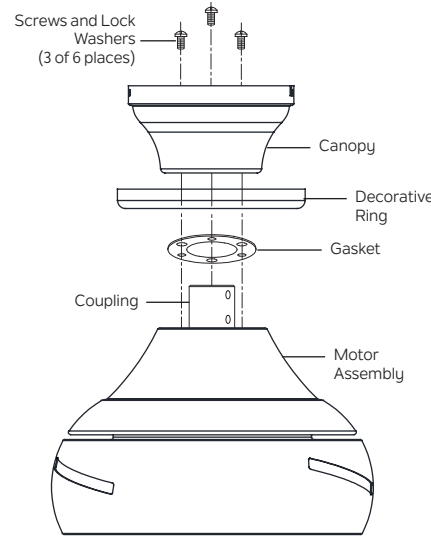


Fig. 10B

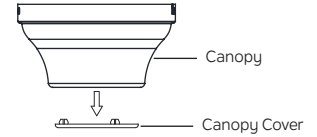


Fig. 10A

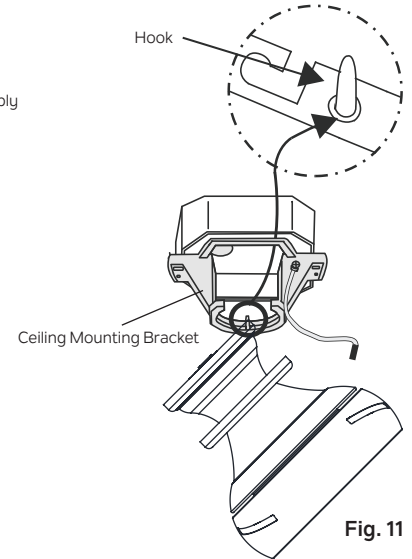


Fig. 11

INSTALLATION OF SAFETY Cable (required for Canadian installation ONLY)

A safety support cable is provided to help prevent the ceiling fan from falling, please install it as follows.

Step 1. Attach the provided wood screw and washer to the ceiling joist next to the mounting bracket but do not tighten. **(Fig. 12)**

Step 2. Adjust the length of the safety cable to reach the wood screw and washer by pulling the extra cable through the cable clamp until the overall length is correct. Put the end of the cable back through the cable clamp, forming a loop at the end of the cable. Tighten the cable clamp securely. Put the loop in the end of the safety cable over the wood screw and under the washer. Tighten the wood screw securely.

NOTE: Although the safety support cable is required for Canadian installations only, it is a good idea to make the attachment with any installation.

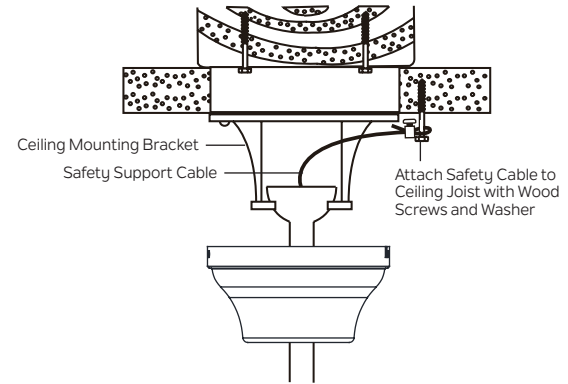


Fig. 12

ELECTRICAL CONNECTIONS

WARNING: To avoid possible electric shock, be sure you have turned off the power at the main circuit panel.

Step 1. Insert the receiver into the ceiling mounting bracket with the flat side of the receiver facing the ceiling. **(Fig.13)** For best performance, make sure the black antenna wire (on the end of the receiver) remains extended, and does not become tangled with the electrical wires.

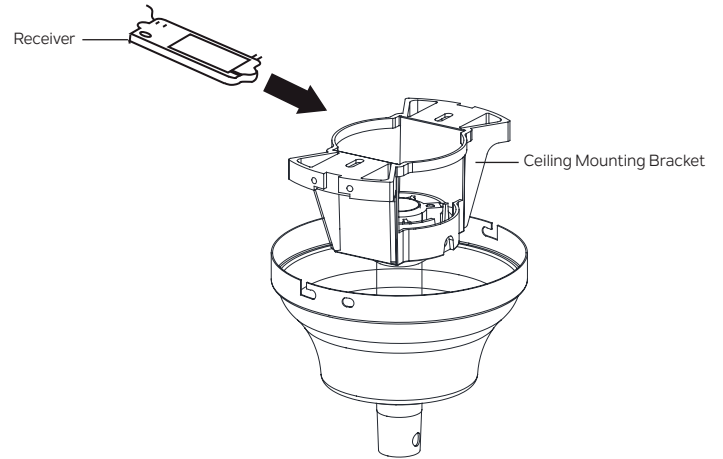


Fig. 13

ELECTRICAL CONNECTIONS (continued)

WARNING: Carefully read and retain this Instruction Manual for future reference.

WARNING: To avoid possible electrical shock, be sure you have turned off the power at the main circuit panel.

Follow the steps below to connect the fan to your household wiring. Use the wire connecting nuts supplied with your fan. Secure the connectors with electrical tape. Make sure there are no loose wire strands or connections.

WARNING: All wiring must conform to national and local electrical codes. If you feel you do not have enough electrical knowledge, have a licensed electrician install the control.

WARNING: If your house wires are different colors than referenced in this manual, stop immediately. A professional electrician is recommended to determine proper wiring.

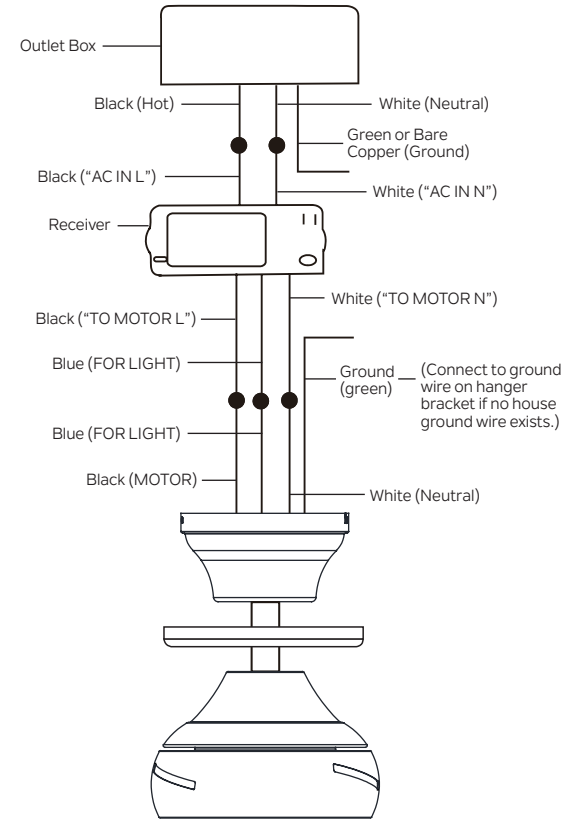


Fig. 14

ELECTRICAL CONNECTIONS (continued)

WARNING: Check to see that all connections are tight, including ground, and that no bare wire is visible at the wire connections.

WIRING INSTRUCTIONS

Step 2. Motor to Receiver Electrical Connections: (Fig. 14)

Connect the black wire from the fan to the black wire marked “TO MOTOR L” on the receiver. Connect the white wire from the fan to the white wire marked “TO MOTOR N” on the receiver. Connect the blue wire from the fan to the blue wire marked “FOR LIGHT” on the receiver. Secure all the wire connections with the plastic wire nuts provided.

Step 3. Receiver to Supply Wires Electrical Connections: (Fig. 14)

Connect the black (load) wire from the ceiling outlet box to the black wire marked “AC in L” from the receiver. Connect the white (neutral) wire from the ceiling outlet box to the white wire marked “AC in N” from the receiver. Secure the wire connections with the plastic wire nuts provided.

Step 4. Connect the ground wire (green or bare copper) from the ceiling outlet box to the ground wire on the ceiling mounting bracket and the ground wire from the ceiling fan with a plastic wire nut provided in the parts bag. (Fig. 14)

Step 5. After connecting the wires, turn the wire connecting nuts upward, and push the wiring into the outlet box. Spread them apart so that the green (ground) and white (neutral) wires are on one side of the outlet box and the black (hot) wires are on the other side.

NOTE: Fan must be installed at a maximum distance of 30 feet from the hand held transmitter for optimal signal transmission between the transmitter and the fan’s receiver.

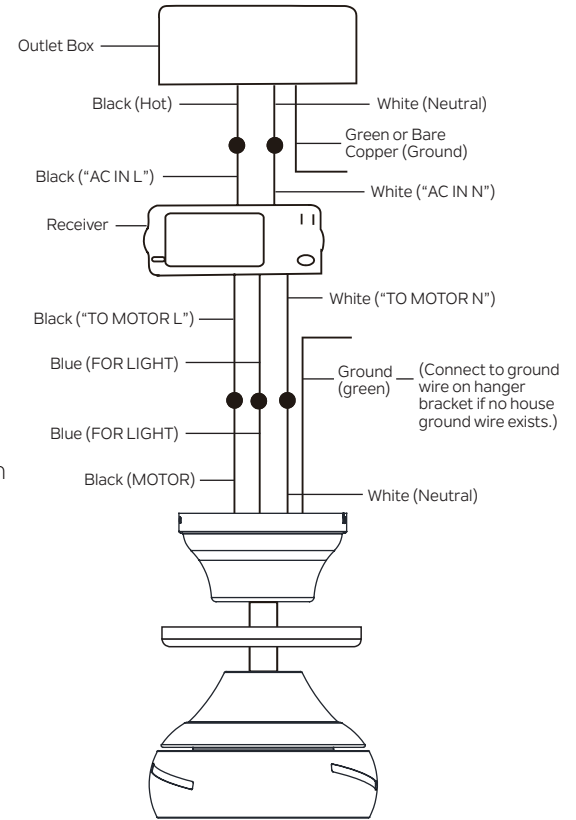


Fig. 14

FINISHING THE INSTALLATION

CAUTION: To avoid possible electrical shock, be sure you have turned off the power at the main circuit panel.

STANDARD CEILING INSTALLATION

Step 1. Tuck all the wire connections neatly into the ceiling outlet box.

Step 2. At the top of the ceiling mounting bracket, there are 4 preinstalled screws (2 on each side). On each side of the ceiling mounting bracket, loosen the first (left) screw just enough so that the screw will be able to lock into a “keyhole” slot in the canopy. Remove the second (right) screw. **(Fig. 15)**

Step 3. Raise the canopy up to the ceiling mounting bracket, passing the loosened screws in the ceiling mounting bracket through the “keyhole” slots in the canopy. Rotate the canopy (counterclockwise) until it locks in place against the screws at the rounded end of the “keyhole” slots.

WARNING: Make sure the “Check Tab” at the bottom of the ceiling mounting bracket is properly seated in the “Registration Slot” on the side of the hanger ball before attaching the canopy to the ceiling mounting bracket.

Step 4. Reinstall the 2 screws that were removed into the aligned holes in the canopy and the ceiling mounting bracket. Tighten all 4 screws to secure. **(Fig. 15)**

Step 5. Carefully raise the decorative ring up to the top of the canopy. **(Fig. 16)**

NOTE: The decorative ring will slide up into position when aligned with the screw heads on the ceiling mounting bracket. Align the openings in the top of the screw locks (2 on each side of the decorative ring) with the 2 screw heads on each side of the ceiling mounting bracket. **(Fig. 16)**

Carefully turn the decorative ring (clockwise) until it locks into position on the screw heads. **(Fig. 16)**

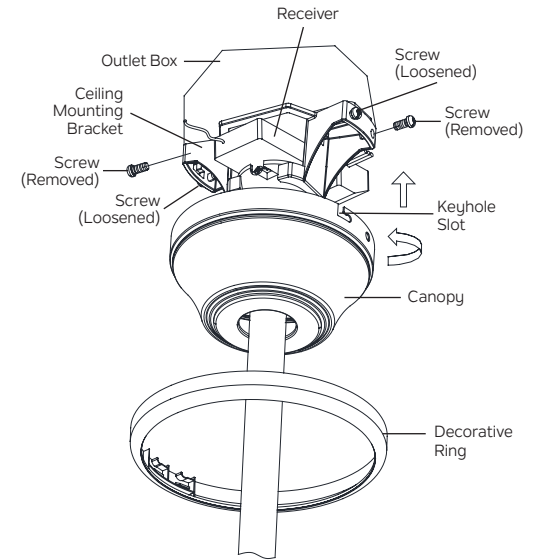


Fig. 15

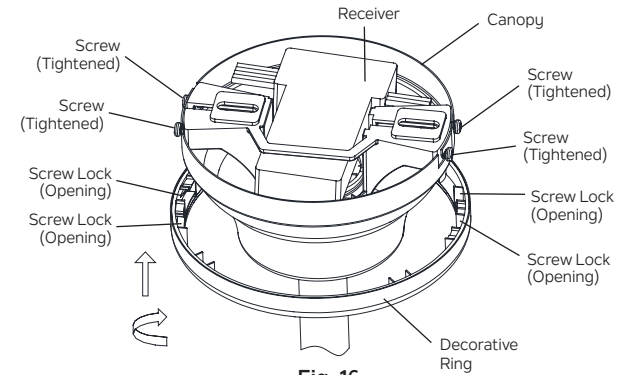


Fig. 16

CLOSE-TO-CEILING INSTALLATION

Step 1. Tuck all the wire connections neatly into the ceiling outlet box.

Step 2. At the top of the ceiling mounting bracket, there are 4 preinstalled screws (2 on each side). On each side of the ceiling mounting bracket, loosen the first (left) screw just enough so that the screw will be able to lock into a “keyhole” slot in the canopy. Remove the second (right) screw. (Fig. 17)

Step 3. Remove the fan from the hook on the ceiling mounting bracket. Raise the fan up to the ceiling mounting bracket, passing the loosened screws in the ceiling mounting bracket through the “keyhole” slots in the canopy. Rotate the fan (counterclockwise) until the canopy locks in place against the screws at the rounded end of the “keyhole” slots.

Step 4. Reinstall the 2 screws that were removed into the aligned holes in the canopy and the ceiling mounting bracket. Tighten all 4 screws to secure. (Fig. 17)

WARNING: Reinstall the 2 ceiling mounting bracket screws that were removed immediately after the canopy is locked in place against the 2 loosened screws. All 4 ceiling mounting bracket screws must be installed and tightened to ensure the safe mounting and operation of this fan.

Step 5. Carefully raise the decorative ring up to the top of the canopy. (Fig. 16)

NOTE: The decorative ring will slide up into position when aligned with the screw heads on the ceiling mounting bracket. Align the openings in the top of the screw locks (2 on each side of the decorative ring) with the 2 screw heads on each side of the ceiling mounting bracket. (Fig. 16)

Carefully turn the decorative ring (clockwise) until it locks into position on the screw heads. (Fig. 16).

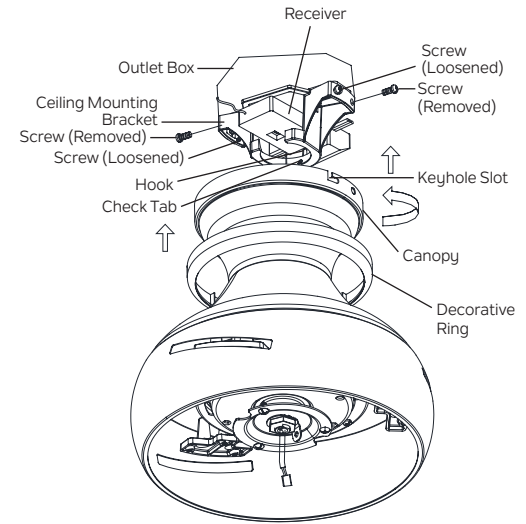


Fig. 17

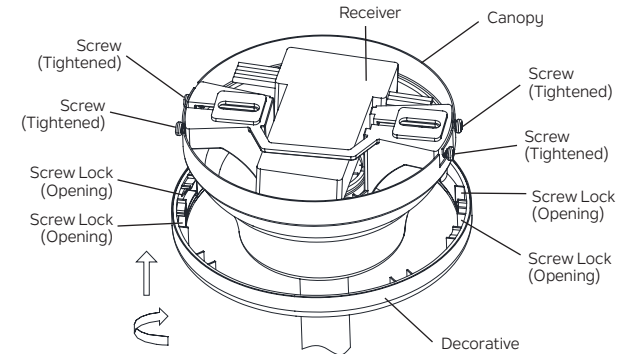


Fig. 16

ATTACHING THE FAN BLADES

CAUTION: To reduce the risk of electric shock, disconnect the electrical supply circuit to the fan before installing the fan blades.

Step 1. Insert fan blade through a slot in the flywheel. (Fig. 18)

Align the holes in the fan blade with the holes in the flywheel and attach the fan blade to the flywheel with three fiber washers and three blade mounting screws. Tighten blade mounting screws to secure.

Step 2. Repeat for the remaining fan blades. (Fig. 18)

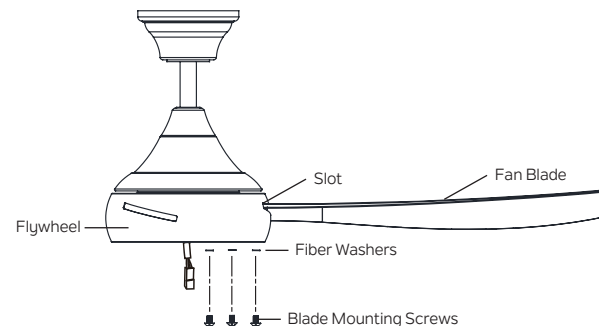


Fig. 18

INSTALLING THE MOUNTING PLATE

CAUTION: To reduce the risk of electric shock, disconnect the electrical supply circuit to the fan before installing the mounting plate.

Step 1. Loosen two of the mounting ring screws on the mounting ring attached to the motor shaft, and remove and save the third mounting ring screw. (Fig. 19)

Step 2. Place the key holes in the mounting plate over the 2 mounting ring screws that were loosened on the mounting ring, and turn mounting plate (clockwise) until it locks in place against the mounting ring screws at the narrow sections of the key holes. (Fig. 19)

Replace the third mounting ring screw that was previously removed, and tighten all 3 mounting ring screws to secure. (Fig. 19)

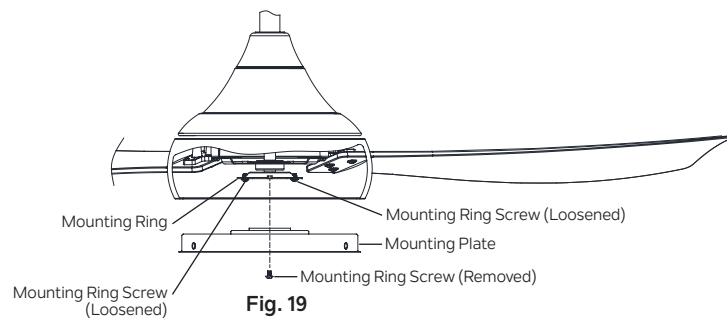


Fig. 19

INSTALLING THE LIGHT KIT AND GLASS SHADE (IF NOT USING THE DECORATIVE COVER)

CAUTION: To reduce the risk of electric shock, disconnect the electrical supply circuit to the fan before installing the light kit and glass shade.

Step 1. Loosen two of the mounting plate screws on the mounting plate, and remove and save the third mounting plate screw. **(Fig. 20)**

Step 2. While holding the light kit under your ceiling fan, push the square wire connectors together. One from the fan and one from the light kit. **(Fig. 20)**

NOTE: The connectors will ONLY engage when the shapes of the connectors are matched. (aligned)

Step 3. Tuck the connections neatly into the mounting plate. Place the key holes in the light kit over the 2 mounting plate screws that were loosened from the mounting plate, and turn the light kit (clockwise) until it locks in place against the mounting plate screws at the narrow sections of the key holes.

Replace the third mounting plate screw that was previously removed, and tighten all 3 mounting plate screws to secure. **(Fig. 20)**

Step 4. Raise the glass shade up to the fan, seat against the mounting plate, and turn clockwise into the mounting plate until snug, **DO NOT OVER TIGHTEN.** **(Fig. 20)**

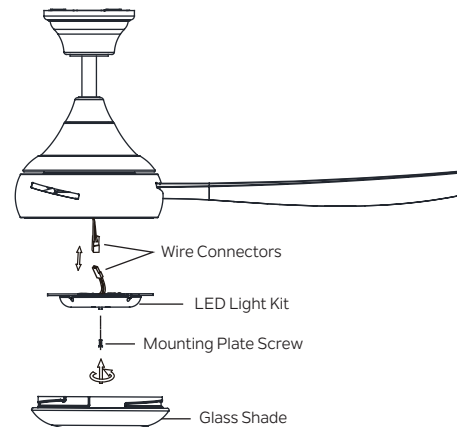


Fig. 20

INSTALLING THE DECORATIVE COVER (IF NOT USING THE LIGHT KIT AND GLASS SHADE)

CAUTION: To reduce the risk of electric shock, disconnect the electrical supply circuit to the fan before installing the decorative cover.

Step 1. Raise the decorative cover up to the fan, seat against the mounting plate, and turn clockwise into the mounting plate until snug, **DO NOT OVER TIGHTEN.** (Fig. 21)

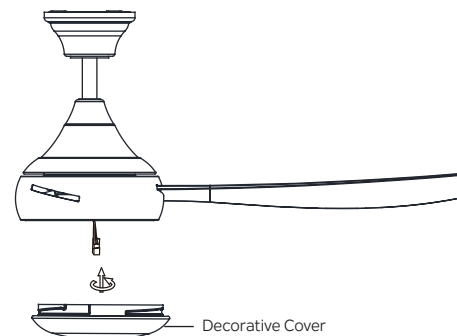


Fig. 21

INSTALLING THE COOL TOUCH™ WALL PLATE

CAUTION: To avoid possible electrical shock, be sure you have turned off the power at the main circuit panel.

WARNING: All wiring must be in accordance with the National Electrical Code and local electrical codes. Electrical installation should be performed by a qualified licensed electrician.

Select a location to install your CoolTouch™ wall plate. You can replace an existing wall switch, or install the wall plate on ANY flat surface.

Option 1: Install the wall plate using an existing wall switch outlet box.

CAUTION: Switch installation must comply with all local and national electric code. Make sure the electrical power is **TURNED OFF** at the main panel before continuing.

Step 1. Remove the existing wall plate and the old switch from the wall outlet box. Wire nut the BLACK leads (hot) together and push back inside the outlet box. **(Fig. 22)**

Step 2. Install the metal plate and CoolTouch™ wall plate to the existing wall outlet box with 4 screws provided. Insert the two plastic plugs into the wall plate. **(Fig. 23)**

Option 2: Install the wall plate on ANY flat surface.

Step 1. Select the desired location and use the CoolTouch™ wall plate to mark the location for the mounting holes.

Step 2. Use the drywall anchors and screws provided to finish the installation.

INSTALLING THE TRANSMITTER

Step 1. Insert the transmitter into the wall plate by inserting the bottom of the transmitter first and then pressing the top of the transmitter into the pocket. The transmitter will fully function from this location or you can remove the transmitter and use it as a hand held device. **(Fig. 24)**

Step 2. To remove the transmitter from the wall plate, push the release button and the transmitter will fall into your hand.

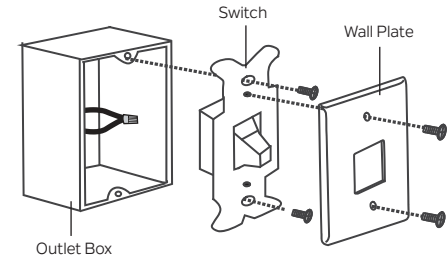


Fig. 22

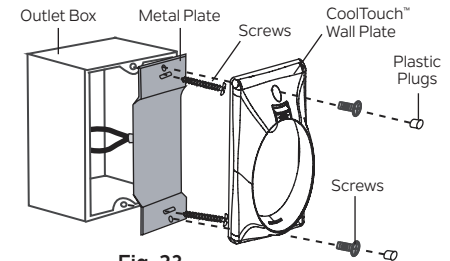


Fig. 23

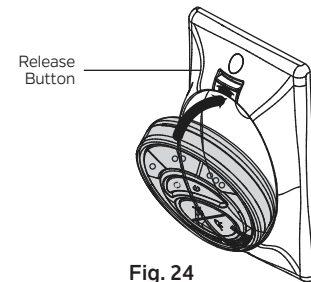


Fig. 24

OPERATING INSTRUCTIONS

INSTALLING THE TRANSMITTER BATTERIES (Fig. 25)

Step 1. Remove the back cover of the transmitter and safety screw. (Fig. 25)
Install two CR2032 3V batteries (included) with the + side facing up.

NOTE: To prevent damage to the transmitter, remove the batteries if not in use for long periods of time (several months).

Step 2. Replace back cover of transmitter and safety screw.

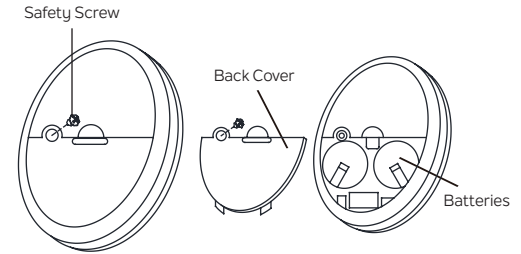


Fig. 25



WARNING: Chemical Burn Hazard. Keep batteries away from children. This product contains a lithium button/coin cell battery. If a new or used lithium button/coin cell battery is swallowed or enters the body, it can cause severe internal burns and can lead to death in as little as 2 hours. Always completely secure the battery compartment. If the battery & compartment does not close securely, stop using the product, remove the batteries, and keep it away from children. If you think batteries might have been swallowed or placed inside any part of the body, seek immediate medical attention.

- a) The cells shall be disposed of properly, including keeping them away from children; and
- b) Even used cells may cause injury.

OPERATING INSTRUCTIONS (continued)

LIGHT FUNCTION SELECTION SWITCH (Fig. 26)

D="Dimming"

O="Only on/off, no dimming"

NOTE: The LED light kit included with this fan is dimmable, so the switch has been factory set to "D".

NOTE: If the included dimmable LED light kit is installed to this fan, the switch should always be set to "D".

NOTE: The on/off only setting is intended for use with non-dimmable LED light kits/lamps, and light kits that have fluorescent lamps.

WARNING: If the "D/O" switch is not set correctly, the lighting control system will operate erratically and could damage your ceiling fan.

PAIRING THE TRANSMITTER TO THE FAN (Fig. 26)

NOTE: Your transmitter has been paired to your fan's receiver at the factory. No frequency change is necessary. If the fan is non-functional or if you would like to install an additional fan with a separate frequency code, follow the steps below to pair a transmitter to a receiver.

WARNING: Make sure the power is completely disconnected before you begin this process.

IMPORTANT: Fan motor and fan blades MUST be installed before pairing process can begin.

Step 1. Remove the safety screw and battery cover from the back of the transmitter. Retain safety screw.

Step 2. After installing transmitter batteries, turn on AC power to the fan at the circuit breaker or fuse box, and within 30 seconds, press and hold the LEARN button on the back of the transmitter (**Fig. 26**) for 3 seconds. The fan will turn on at medium speed and the light kit (if installed) will turn on. This confirms that the pairing process is complete.

NOTE: If the LEARN button is not pressed within 30 seconds, turn off AC power to the fan at the circuit breaker or fuse box (this will reset the unit) then repeat **Step 2**.

Step 3. Try different speed settings on the transmitter to make sure the fan is fully functional. If programming is unsuccessful, turn off AC power to the fan at the circuit breaker or fuse box (this will reset the unit) then repeat **Step 2**.

Step 4. Reinstall the battery cover and safety screw to the back of the transmitter.

NOTE: Please keep this page in case future reprogramming is needed, or an additional remote control is added.

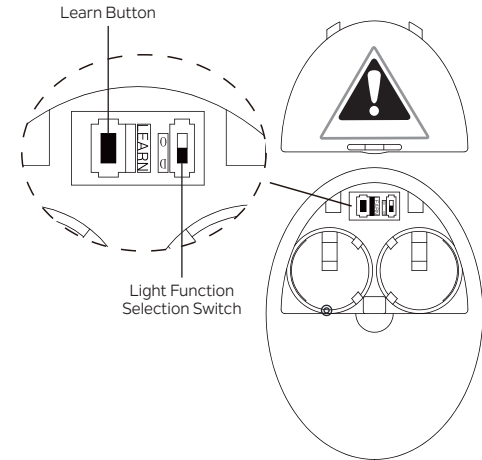








Fig. 26

OPERATING INSTRUCTIONS (continued)

TRANSMITTER OPERATION (Fig. 27)

-  **OFF Button**
Press once to stop the fan.
-  **High Speed Button**
Press once to start the fan at high speed.
-  **Medium Speed Button**
Press once to start the fan at medium speed.
-  **Low Speed Button**
Press once to start the fan at low speed.
-  **Light Buttons**
Press once to turn the light on or off.
DIMMING: Press and hold to dim or brighten the light to the desired level, then release.
-  **Reverse Button**
While the fan is running, press the reverse button once, and the fan will reverse direction.

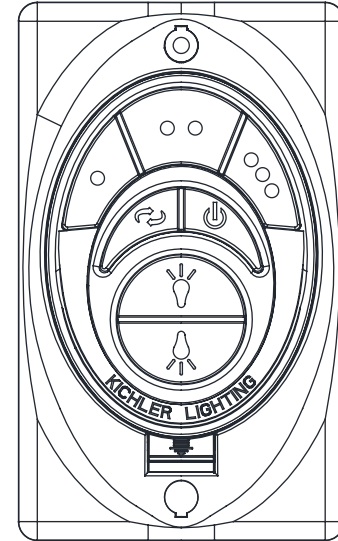


Fig. 27

OPERATING INSTRUCTIONS (continued)

To operate the reverse function on this fan, press the reverse button on the transmitter while the fan is running.

Warm Weather Operation: “Forward” (fan rotates counter clockwise) A downward airflow creates a cooling effect as shown in **Fig. 28**. This allows you to set your air conditioner on a warmer setting without affecting your general comfort.

Cool Weather Operation: “Reverse” (fan rotates clockwise). An upward airflow moves warm air off the ceiling areas as shown in **Fig. 29**. This allows you to set your heating unit on a cooler setting without affecting your general comfort.

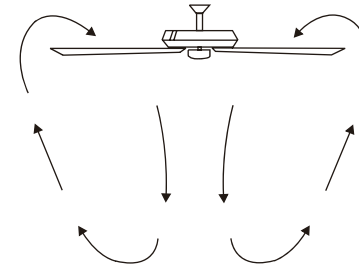


Fig. 28

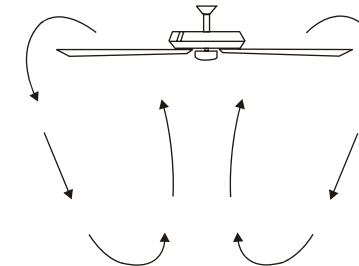


Fig. 29

TROUBLESHOOTING

Problem

Solution

Fan will not start.

1. Check circuit fuses or breakers.
2. Ensure that the batteries in the transmitter are installed properly with the +side facing up, and that they still have power. **NOTE:** When a button is pressed on the transmitter, the backlight in the transmitter will light up if the batteries still have power.
3. Check all electrical connections to ensure proper contact. **CAUTION: Make sure the main power is OFF when checking any electrical connection.**

Fan sounds noisy.

1. Make sure all motor housing screws are snug.
2. Make sure the screws that attach the fan blade brackets to the motor are tight.
3. Make sure wire nut connections are not rubbing against each other or the interior wall of the switch housing. **CAUTION: Make sure main power is off.**
4. Allow a 24-hour "breaking-in" period. Most noise associated with a new fan will disappear during this time.
5. If using an optional light kit, make sure the screws securing the glassware are tight. Make sure the light bulbs are not touching any other component.
6. Do not connect this fan to wall mounted variable speed control(s). They are not compatible with ceiling fan motors or remote controls.
7. Make sure the upper canopy is a short distance from the ceiling. It should not touch the ceiling.

TROUBLESHOOTING (continued)

Problem	Solution
Fan wobble.	<ol style="list-style-type: none">1. Check that all blade and blade arm screws are secure.2. Most fan wobbling problems are caused when blade levels are unequal. Check this level by selecting a point on the ceiling above the tip of one of the blades. Measure this distance. Rotate the fan until the next blade is positioned for measurement. Repeat for each blade. The distance deviation should be equal within 1/8".3. If the blade wobble is still noticeable, interchanging two adjacent (side by side) blades can redistribute the weight and possibly result in smoother operation.
Remote control malfunction.	<ol style="list-style-type: none">1. Ceiling Fans with remote control systems CAN NOT be operated in conjunction with any other control system EXCEPT a basic On/Off wall switch if desired.2. Make sure the black antenna wire on the receiver is NOT tangled with any other electrical wires and is extended around the inside of the ceiling canopy. CAUTION: Make sure main power is off.

WARNING: TO REDUCE THE RISK OF PERSONAL INJURY AND TO ENSURE THE PROPER OPERATION OF YOUR CEILING FAN, NEVER ATTACH THE BLADE ASSEMBLIES UNTIL THE CEILING FAN HAS BEEN MOUNTED ON THE CEILING. DO NOT BEND THE BLADES WHILE INSTALLING, BALANCING OR CLEANING THE FAN. DO NOT INSERT FOREIGN OBJECTS BETWEEN ROTATING FAN BLADES.

FCC INFORMATION

This device complies with part 15 of the FCC Rules. Operation is subject to the following two conditions:

- 1) This device may not cause harmful interference, and
- 2) This device must accept any interference received, including interference that may cause undesired operation.

Note: This equipment has been tested and found to comply with the limits for a Class B digital device, pursuant to part 15 of the FCC Rules. These limits are designed to provide reasonable protection against harmful interference in a residential installation. This equipment generates, uses and can radiate radio frequency energy and, if not installed and used in accordance with the instructions, may cause harmful interference to radio communications. However, there is no guarantee that interference will not occur in a particular installation. If this equipment does cause harmful interference to radio or television reception, which can be determined by turning the equipment off and on, the user is encouraged to try to correct the interference by one or more of the following measures:

- Reorient or relocate the receiving antenna.
- Increase the separation between the equipment and receiver.
- Connect the equipment into an outlet on a circuit different from that to which the receiver is connected.
- Consult the dealer or an experienced radio/TV technician for help.

KICHLER®

www.kichler.com

KICHLER LIGHTING LLC

30455 SOLON RD.

SOLON, OH 44139 USA

CUSTOMER SERVICE 866.558.5706

8:00 AM TO 5:00 PM EST, MONDAY - FRIDAY

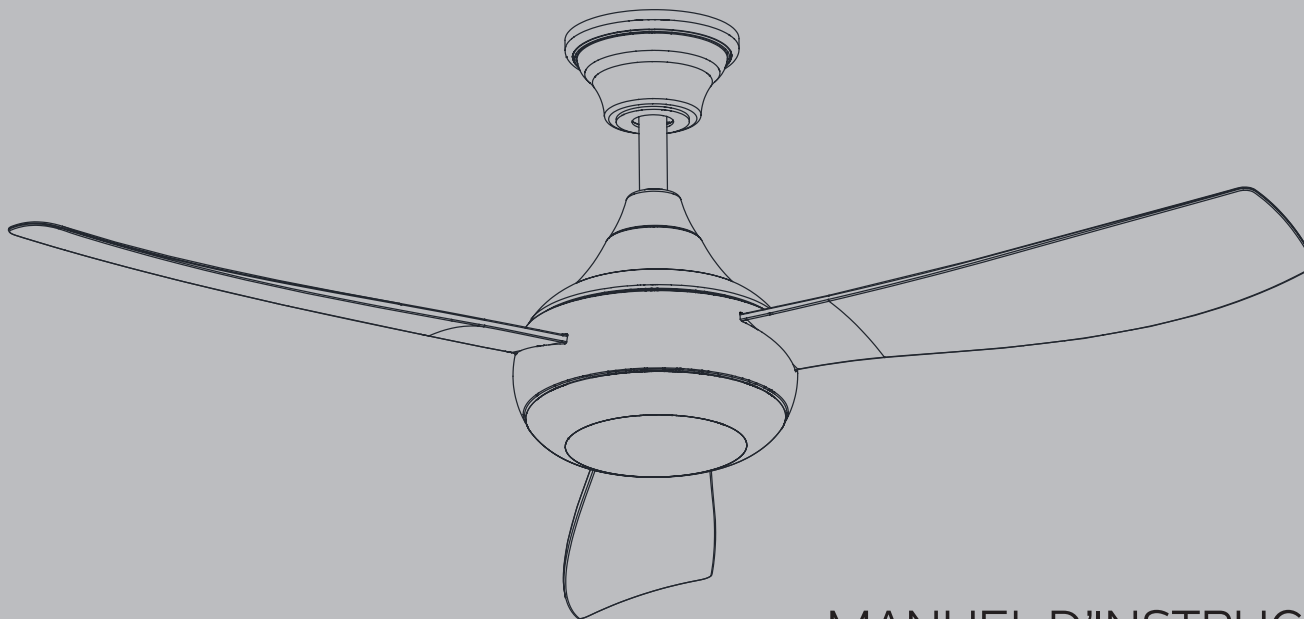
REV. 27-NOV-2023

© Kichler Lighting LLC. All Rights Reserved.

KICHLER®

Ample 137 cm (54 po)

Les images du produit peuvent varier légèrement par rapport au produit réel.



LISEZ ET CONSERVEZ CES INSTRUCTIONS

MANUEL D'INSTRUCTIONS
Modèle n° 310354

TABLE DES MATIÈRES

RÈGLES DE SÉCURITÉ	4	INSTALLATION DE LA PLAQUE DE MONTAGE	18
OUTILS ET MATÉRIAUX NÉCESSAIRES	6	INSTALLATION DU KIT D'ÉCLAIRAGE ET L'ABAT-JOUR EN VERRE (SI VOUS N'UTILISEZ PAS LE COUVERCLE DÉCORATIF)	19
CONTENU DU COLIS	6	INSTALLATION DU COUVERCLE DÉCORATIF (SI VOUS N'UTILISEZ PAS LE KIT D'ÉCLAIRAGE ET L'ABAT-JOUR EN VERRE)	20
OPTIONS DE MONTAGE.....	7	INSTALLATION DE LA PLAQUE MURALE COOLTOUCH	21
SUSPENDRE LE VENTILATEUR.....	8	INSTALLATION DE L'ÉMETTEUR.....	21
INSTALLATION DU CÂBLE DE SÉCURITÉ	12	INSTRUCTIONS D'UTILISATION	22
RACCORDEMENTS ÉLECTRIQUES.....	13	DÉPANNAGE	26
COMPLÉTER L'INSTALLATION	16	INFORMATIONS FCC.....	28
FIXATION DES PALES DU VENTILATEUR	18		

RÈGLES DE SÉCURITÉ

LISEZ ET CONSERVEZ CES INSTRUCTIONS

AVERTISSEMENT : POUR LE CANADA, CE VENTILATEUR DOIT ÊTRE FIXÉ DIRECTEMENT À LA STRUCTURE DU BÂTIMENT OU À LA SOLIVE DE PLAFOND. NE PAS FIXER CE VENTILATEUR À UNE BOÎTE DE SORTIE.

- 1. ATTENTION – RISQUE DE CHOC ÉLECTRIQUE :**
Débranchez l'alimentation au panneau du disjoncteur principal ou à la boîte à fusibles principale avant de démarrer et pendant l'installation.
- 2. AVERTISSEMENT :** Tout le câblage doit être conforme au National Electrical Code « ANSI/NFPA 70 » et aux codes électriques locaux. L'installation électrique doit être effectuée par un électricien qualifié et agréé.
- 3. AVERTISSEMENT :** Pour réduire le risque d'électrocution, ce ventilateur doit être installé avec une commande/un interrupteur mural isolant à usage général.
- 4. AVERTISSEMENT :** Ne convient pas à une utilisation avec des commandes de vitesse à semi-conducteurs.
- 5. AVERTISSEMENT :** Pour réduire le risque d'incendie, d'électrocution ou de blessure corporelle, installez l'appareil sur une boîte de sortie portant la mention « acceptable pour soutenir un ventilateur de 15,9 kg (35 lb) ou moins ». Utilisez les vis de montage livrées avec la boîte de sortie. Il faudra probablement remplacer la boîte de sortie, car la plupart des boîtes de sortie utilisées pour soutenir des appareils d'éclairage ne sont pas acceptables pour soutenir un ventilateur. En raison de la complexité de l'installation de ce ventilateur, un électricien agréé qualifié est fortement recommandé.
- 6. La boîte de sortie et la structure de support doivent être solidement fixées et capables de supporter de manière fiable un minimum de 15,9 kg (35 lb). N'utiliser que des boîtes de sortie homologuées cULus portant la mention « Acceptable pour le support de ventilateur de 15,9 kg (35 lb) ou moins ».**
- 7. Le ventilateur doit être monté avec un dégagement minimum de 2,1 m (7 pi) entre le bord de fuite des pales et le sol.**
- 8. Pour activer la fonction d'inversion sur ce ventilateur, appuyez sur le bouton « Reverse » (Inversion) sur l'émetteur pendant que le ventilateur fonctionne.**
- 9. Évitez de placer des objets sur la trajectoire des pales.**
- 10. AVERTISSEMENT :** assurez-vous que l'alimentation est coupée avant de nettoyer votre ventilateur.

RÈGLES DE SÉCURITÉ (suite)

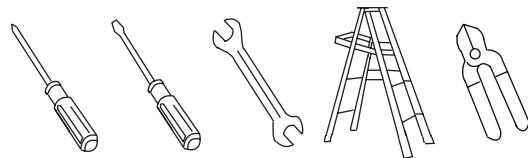
11. Pour éviter des blessures corporelles ou des dommages au ventilateur et à d'autres éléments, soyez prudent lorsque vous travaillez autour ou nettoyez le ventilateur.
12. N'utilisez pas d'eau ou de détergents pour nettoyer le ventilateur ou les pales du ventilateur. Un chiffon sec à poussière ou un chiffon légèrement humide conviendra pour la plupart des nettoyages.
13. Après avoir effectué les raccordements électriques, les conducteurs raccordés doivent être tournés vers le haut et poussés avec précaution dans le boîtier de sortie. Les fils doivent être écartés avec le conducteur mis à la terre et le conducteur de mise à la terre de l'équipement d'un côté de la boîte de sortie et le conducteur non mis à la terre de l'autre côté de la boîte de sortie.
14. Les schémas électriques sont fournis à titre indicatif uniquement. Les ensembles d'éclairage qui ne sont pas fournis avec le ventilateur doivent être répertoriés et marqués cULus pour une utilisation avec le modèle de ventilateur que vous installez. Les commutateurs doivent être des commutateurs cULus à usage général. Reportez-vous aux instructions fournies avec les ensembles d'éclairage et les interrupteurs pour un assemblage correct.
15. Toutes les vis de réglage doivent être vérifiées et resserrées si nécessaire avant l'installation.

16. N.W. 9,0 KG (19,84 LB) / G.W. 10,34 KG (22,8 LB)

AVERTISSEMENT
POUR RÉDUIRE LES RISQUES DE BLESSURES
CORPORELLES, NE PLIEZ PAS LES PALES
PENDANT LE MONTAGE OU APRÈS
L'INSTALLATION. NE PAS INSÉRER D'OBJETS SUR
LE PASSAGE DES PALES.

OUTILS ET MATÉRIAUX NÉCESSAIRES

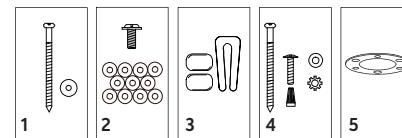
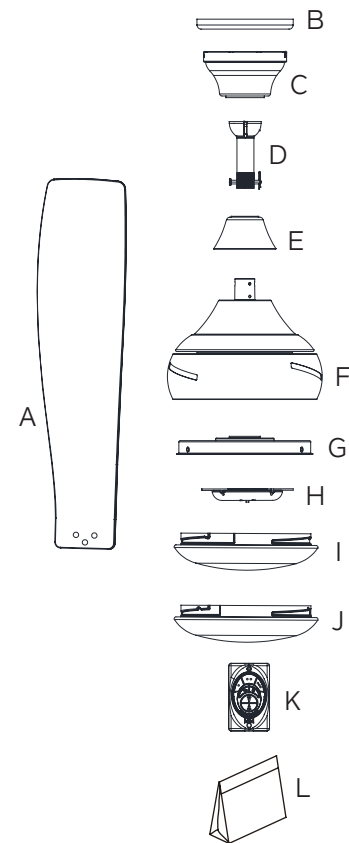
- Tournevis cruciforme
- Tournevis à lame
- Clé de 11 mm
- Escabeau
- Pincés coupantes



CONTENU DU COLIS

Déballez votre ventilateur et vérifiez le contenu. Vous devriez avoir les éléments suivants :

- | | |
|---|---|
| A. Pales de ventilateur (3) | L. Matériel d'emballage |
| B. Bague décorative | 1) Matériel du câble de sécurité : vis à bois (1), rondelle à ressort (1) |
| C. Garniture et support de montage au plafond | 2) Matériel de fixation de pale : vis de montage de pale (11), rondelles de fibre (11) |
| D. Ensemble tige descendante/ boule de suspension | 3) Ensemble d'équilibrage |
| E. Couvercle d'accouplement | 4) Matériel de montage : vis à bois (2), rondelles plates (2), rondelles en étoile (2), écrous de fil (3) vis (2) |
| F. Ensemble moteur de ventilateur | 5) Joint d'étanchéité |
| G. Plaque de montage | |
| H. Ensemble d'éclairage à DEL | |
| I. Abat-jour en verre | |
| J. Couvercle décoratif | |
| K. Émetteur (TR250B) et plaque murale | |



OPTIONS DE MONTAGE

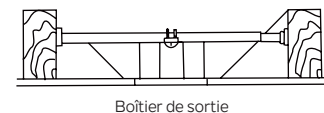
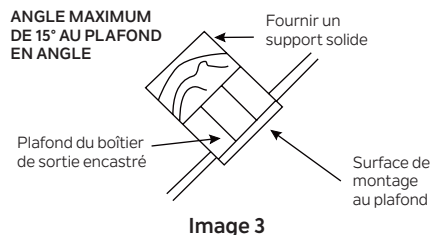
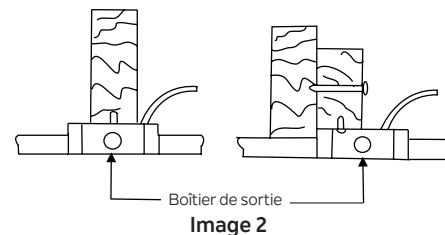
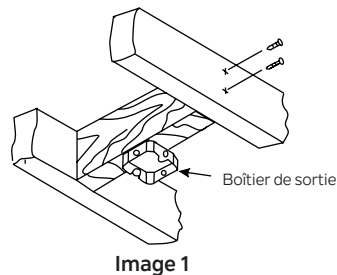
S'il n'y a pas de boîtier de montage homologué UL (cUL pour installation canadienne), lisez les instructions suivantes. Débranchez l'alimentation en retirant les fusibles ou en désactivant les disjoncteurs.

Fixez le boîtier de sortie directement à la structure du bâtiment. Utilisez des fixations et des matériaux de construction appropriés. Le boîtier de sortie et son support doivent pouvoir supporter entièrement le poids total du ventilateur (jusqu'à 15,9 kg (35 lb)). N'utilisez pas de boîtiers de sortie en plastique.

Les **Images 1, 2 et 3** sont des exemples des différentes manières de monter le boîtier de sortie.

REMARQUE : Si vous installez le ventilateur de plafond sur un plafond en pente (voûte), vous aurez peut-être besoin d'une tige descendante plus longue pour maintenir un dégagement approprié entre la pointe de la pale et le plafond. Un dégagement minimum de 30 cm (12 po) est suggéré pour un fonctionnement optimal.

REMARQUE : Selon l'endroit que vous avez choisi pour l'installation, vous devrez peut-être acheter et installer une « suspente de solive » pour soutenir le boîtier de sortie. Assurez-vous que le support de solive que vous achetez a été conçu pour être utilisé avec des ventilateurs de plafond. **(Image 4)**



SUSPENDRE LE VENTILATEUR

ATTENTION : Pour éviter tout risque d'électrocution, assurez-vous d'avoir coupé l'alimentation au panneau de circuit principal avant de procéder au câblage.

AVERTISSEMENT : Toutes les vis de réglage doivent être vérifiées et resserrées si nécessaire avant l'installation.

REMARQUE : Ce ventilateur de plafond est fourni avec deux types d'assemblages suspendus; l'installation au plafond standard à l'aide de la tige de suspension avec montage à boule et l'installation « près du plafond ». L'installation « près du plafond » est recommandée dans les pièces avec des plafonds de moins de 8 pieds ou dans les zones où un espace supplémentaire est souhaité, du plancher aux pales du ventilateur.

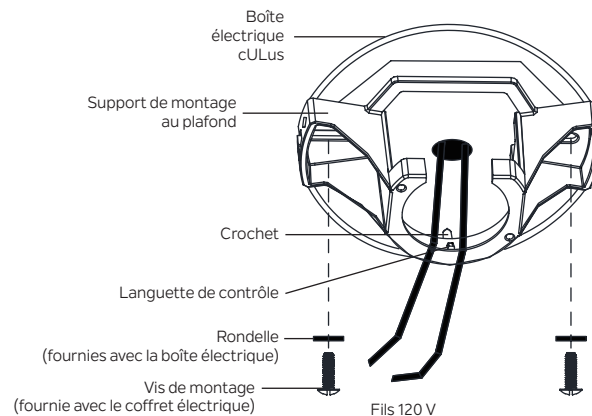


Image 5

SUSPENDRE LE VENTILATEUR (suite)

Installation standard au plafond

AVERTISSEMENT : Toutes les vis de réglage doivent être vérifiées et resserrées si nécessaire avant l'installation.

Étape 1. Passez les fils d'alimentation de 120 volts à travers le trou central du support de suspension au plafond, comme illustré à l'**Image 5**.

Étape 2. Fixez le support de suspension à la boîte de sortie au plafond avec les vis et les rondelles fournies avec votre boîte de sortie.

Étape 3. Retirez le clip de retenue et la goupille d'attelage de l'ensemble tige descendante/ boule de suspension. Retirez la boule de suspension de l'ensemble tige descendante/boule de suspension en desserrant la vis de réglage (ne pas la retirer) de la boule de suspension, en dévissant et en retirant la goupille transversale, et en dévissant la boule de suspension de la tige de suspension. (**Image 6**)

Étape 4. Desserrez les deux vis de pression (ne les retirez pas) dans le raccord sur le dessus de l'ensemble moteur. (**Image 7**)

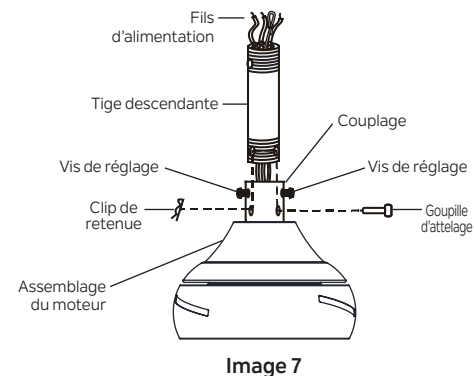
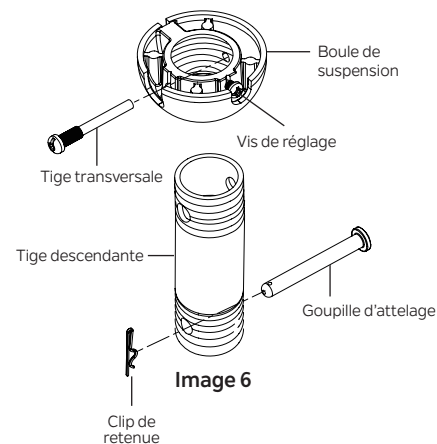
Étape 5. Faites passer avec précaution les fils électriques et le câble de sécurité du raccord situé sur le dessus de l'ensemble moteur vers le haut, à travers la tige descendante. Vissez la tige d'attelage dans l'accouplement sur le dessus de l'ensemble moteur jusqu'à ce que les trous de goupille d'attelage dans la tige d'attelage et les trous de goupille d'attelage dans l'accouplement soient alignés. (**Image 7**)

Étape 6. Insérez soigneusement la goupille d'attelage dans les trous du raccord et de la tige descendante. (**Image 7**)

REMARQUE : Veillez à ne pas coincer la goupille d'attelage contre le câblage à l'intérieur de la tige descendante.

Insérez le clip de retenue dans le trou près de l'extrémité de la goupille d'attelage jusqu'à ce qu'il s'enclenche dans sa position verrouillée. (**Image 7**)

Étape 7. Serrez fermement les deux vis de pression dans le raccord sur le dessus de l'ensemble moteur. (**Image 7**)



SUSPENDRE LE VENTILATEUR (suite)

Étape 8. Glissez le couvercle d'accouplement, l'anneau décoratif (face finie tournée vers le moteur) et la garniture sur la tige descendante. **(Image 8B)**.

Étape 9. Réinstallez soigneusement la boule de suspension sur la tige descendante. Réinstallez soigneusement la goupille transversale à travers la boule de suspension et la tige de suspension. **(Image 8A)**

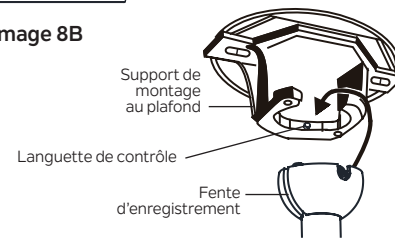
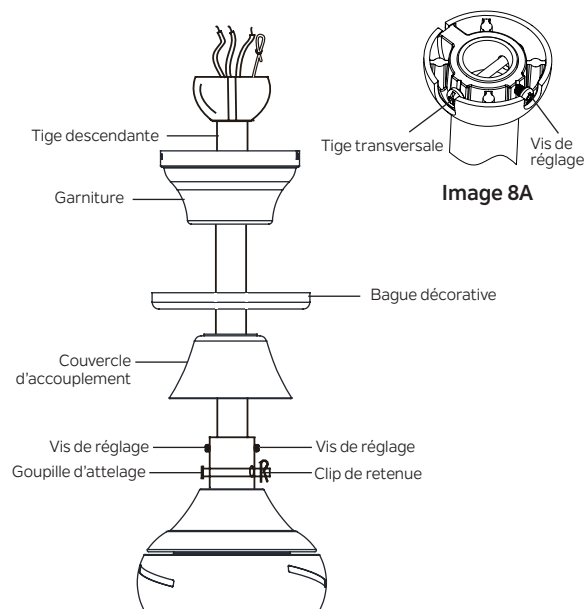
REMARQUE : Veillez à ne pas coincer la tige transversale contre le câblage à l'intérieur de la tige descendante.

Assurez-vous que la goupille transversale est dans la bonne position. Serrez la goupille transversale. Serrer la vis de pression sur la boule de suspension. Assurez-vous que les fils ne sont pas tordus. **(Image 8A)**

Étape 10. Soulevez maintenant l'assemblage moteur et placez la boule de suspension dans la douille du support de montage. Faites pivoter l'ensemble jusqu'à ce que la « languette de contrôle » soit tombée dans la « fente d'enregistrement » et soit fermement en place. **(Image 9)**

L'ensemble du moteur ne doit pas tourner (à gauche ou à droite) lorsqu'il est correctement installé.

AVERTISSEMENT : Le fait de ne pas remettre en place la goupille transversale et de placer la « languette de contrôle » peut entraîner la chute du ventilateur du plafond pendant le fonctionnement. Veillez tout particulièrement à ce que cette goupille soit remise en place.



SUSPENDRE LE VENTILATEUR (suite)

Installation près du plafond

Étape 1. Passez les fils d'alimentation de 120 volts à travers le trou central du support de suspension au plafond, comme illustré à l'**Image 5**.

Étape 3. Fixez le support de suspension à la boîte de sortie au plafond avec les vis et les rondelles fournies avec votre boîte de sortie.

Étape 2. Retirez le couvercle de la monture en le poussant vers l'extérieur (**Image 10A**).

Étape 4. Retirez trois des six vis et rondelles de blocage (une sur deux) du dessus de l'ensemble moteur (**Image 10B**). Conservez les vis et les rondelles de blocage.

Étape 5. Placez le joint, puis l'anneau décoratif, puis la garniture sur le raccord au sommet de l'ensemble moteur. Alignez les trous de la garniture et du joint avec les trous du haut de l'ensemble moteur et fixez le joint et la garniture à l'ensemble moteur à l'aide des vis et des rondelles de blocage qui ont été retirées à l'**étape 4**. (**Image 10B**).

Étape 6. Serrez fermement les vis (**Image 10B**).

AVERTISSEMENT : Si les trois vis de l'étape 6 ne sont pas serrées complètement, le ventilateur pourrait se desserrer et tomber.

Étape 7. Accrochez le ventilateur sur le crochet du support de montage au plafond. S'assurer que la garniture est complètement verrouillée dans le crochet, comme illustré à l'**Image 11**. Cela vous permettra d'effectuer les connexions électriques.

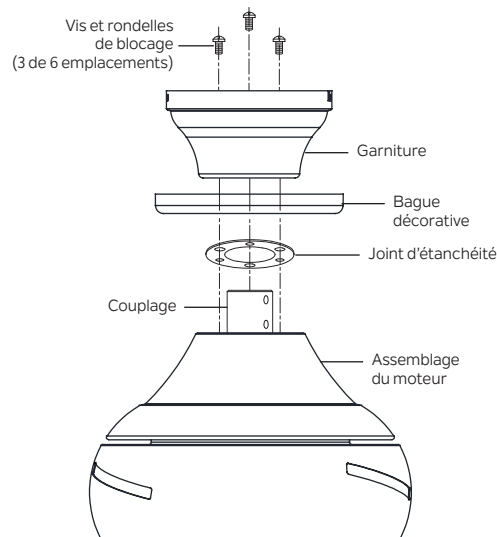


Image 10B

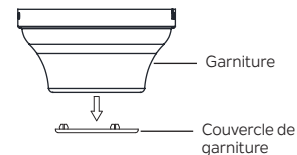


Image 10A

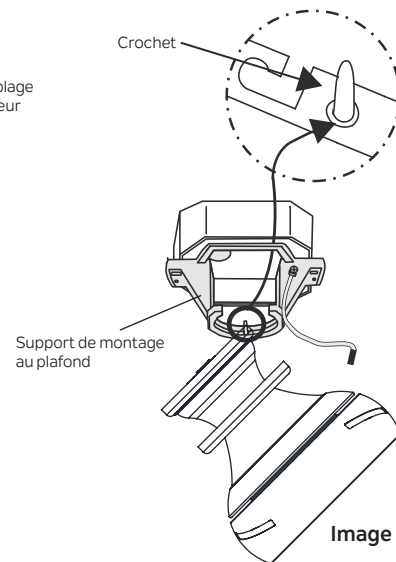


Image 11

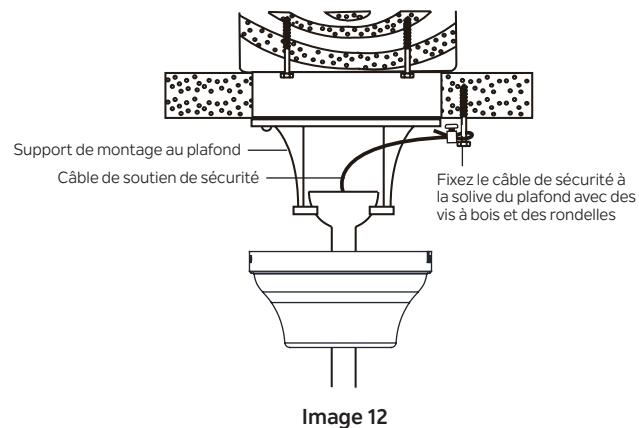
INSTALLATION DU CÂBLE DE SÉCURITÉ (requis pour l'installation canadienne UNIQUEMENT)

Un câble de support de sécurité est fourni pour aider à empêcher le ventilateur de plafond de tomber, veuillez l'installer comme suit.

Étape 1. Fixez la vis à bois et les rondelles fournies à la solive de plafond à côté du support de montage, mais ne serrez pas. **(Image 12)**

Étape 2. Ajustez la longueur du câble de sécurité pour atteindre la vis à bois et la rondelle en tirant le câble supplémentaire à travers le serre-câble jusqu'à ce que la longueur totale soit correcte. Remettez l'extrémité du câble à travers le serre-câble, formant une boucle à l'extrémité du câble. Serrez fermement le serre-câble. Maintenant, placez la boucle à l'extrémité du câble de sécurité sur la vis à bois et sous la rondelle. Serrez fermement la vis à bois.

REMARQUE : Bien que le câble de support de sécurité ne soit requis que pour les installations au Canada, c'est une bonne idée d'effectuer la fixation avec n'importe quelle installation.



RACCORDEMENTS ÉLECTRIQUES

AVERTISSEMENT : Pour éviter tout risque de choc électrique, assurez-vous d'avoir coupé l'alimentation au niveau du panneau de circuit principal.

Étape 1. Insérez le récepteur dans le support de montage au plafond, le côté plat du récepteur faisant face au plafond. **(Image 13)** Pour de meilleures performances, assurez-vous que le fil d'antenne noir (à l'extrémité du récepteur) reste étendu et ne s'emmêle pas avec les fils électriques.

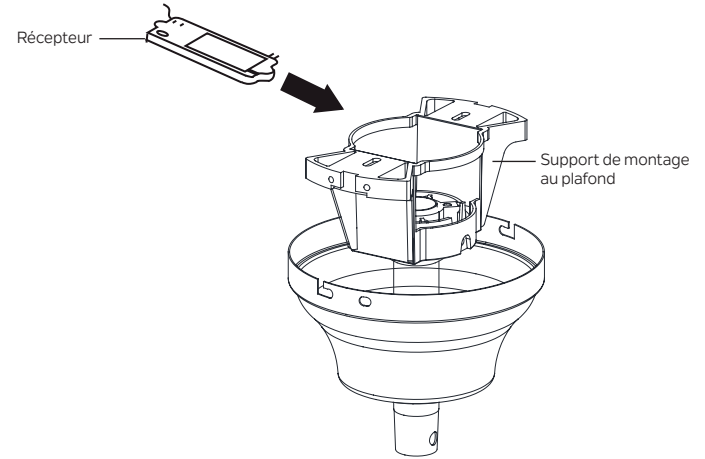


Image 13

RACCORDEMENTS ÉLECTRIQUES (suite)

AVERTISSEMENT : Lisez attentivement et conservez ce manuel d'instructions pour toute référence ultérieure.

AVERTISSEMENT : Pour éviter tout risque d'électrocution, assurez-vous d'avoir coupé l'alimentation au panneau de circuit principal avant de procéder au câblage.

Suivez les étapes ci-dessous pour raccorder le ventilateur à votre câblage domestique. Utilisez les écrous de raccords des fils fournis avec votre ventilateur. Fixez les connecteurs avec du ruban isolant. Assurez-vous qu'il n'y a pas de torons métalliques ou de raccords desserrés.

AVERTISSEMENT : Tout le câblage doit être conforme aux codes électriques nationaux et locaux. Si vous pensez ne pas avoir suffisamment de connaissances en électricité, demandez à un électricien agréé d'installer le système de commande.

AVERTISSEMENT : Si les fils de votre maison sont de couleurs différentes de celles indiquées dans ce manuel, arrêtez immédiatement. Un électricien professionnel est recommandé pour déterminer le câblage approprié.

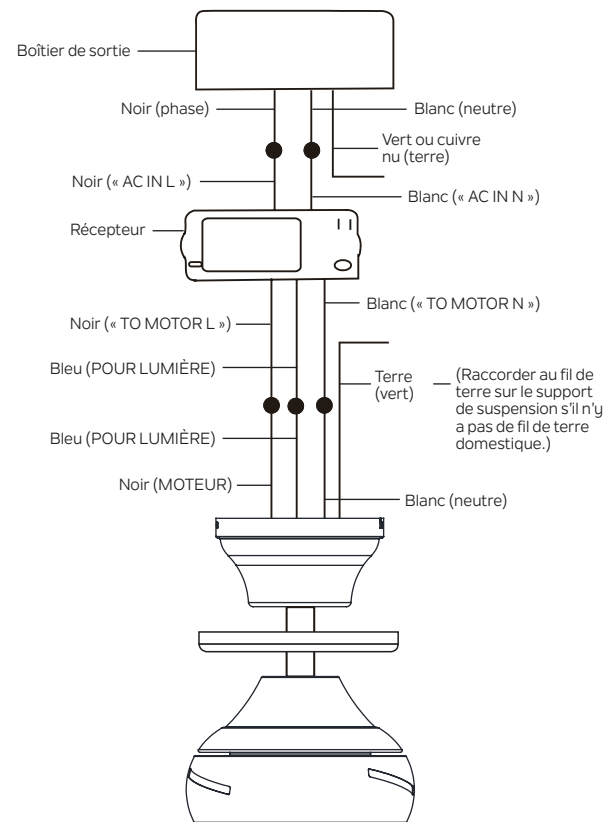


Image 14

RACCORDEMENTS ÉLECTRIQUES (suite)

AVERTISSEMENT : Vérifiez que toutes les connexions sont bien serrées, y compris la mise à la terre, et qu'aucun fil nu n'est visible au niveau des connexions de fil.

INSTRUCTIONS DE CÂBLAGE

Étape 2. Raccordements électriques du moteur au récepteur : (Image 14)

Raccordez le fil noir du ventilateur au fil noir marqué « TO MOTOR L » sur le récepteur.
Raccordez le fil blanc du ventilateur au fil blanc marqué « TO MOTOR N » sur le récepteur.
Raccordez le fil bleu du ventilateur au fil bleu marqué « POUR LA LUMIÈRE » sur le récepteur.
Fixez tous les raccords de fils avec les écrous en plastique fournis.

Étape 3. Connexions électriques entre le récepteur et les câbles d'alimentation : (Image 14)

Raccordez le fil noir (phase) du boîtier de sortie du plafond au fil noir marqué « AC in L » du récepteur.
Raccordez le fil blanc (neutre) du boîtier de sortie du plafond au fil blanc marqué « AC in N » du récepteur.
Fixez les raccords de fils avec les écrous en plastique fournis.

Étape 4. Raccordez le fil de terre (vert ou cuivre nu) du boîtier de sortie du plafond au fil de terre du support de montage du plafond et au fil de terre du ventilateur de plafond à l'aide d'un écrou en plastique fourni dans le sac de pièces détachées. (Image 14)

Étape 5. Après avoir connecté les fils, tournez les écrous de connexion des fils vers le haut et poussez le câblage dans la boîte de sortie. Écartez-les de manière à ce que les fils vert (terre) et blanc (neutre) se trouvent d'un côté de la boîte de sortie et que les fils noirs (phase) soient de l'autre côté.

REMARQUE : Le ventilateur doit être installé à une distance maximale de 30 pieds de l'émetteur portatif pour une transmission optimale du signal entre l'émetteur et le récepteur du ventilateur.

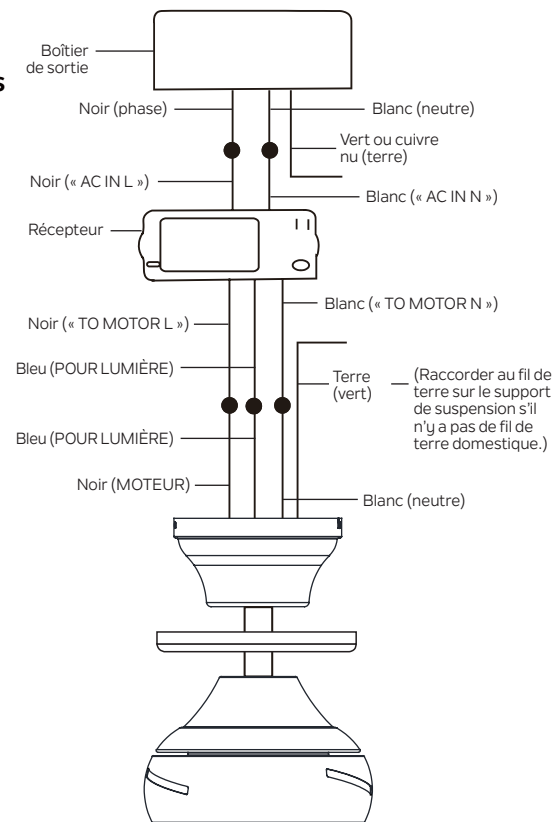


Image 14

TERMINER L'INSTALLATION

ATTENTION : Pour éviter tout risque d'électrocution, assurez-vous d'avoir coupé l'alimentation au panneau de circuit principal avant de procéder au câblage.

INSTALLATION STANDARD AU PLAFOND

Étape 1. Rentrez soigneusement toutes les connexions dans la boîte de sortie au plafond.

Étape 2. En haut du support de montage au plafond, il y a 4 vis préinstallées (2 de chaque côté). De chaque côté du support de montage du plafond, desserrez la première vis (gauche) juste assez pour que la vis puisse se verrouiller dans une fente en forme de « trou de serrure » dans la garniture. Retirez la deuxième vis (droite). **(Image 15)**

Étape 3. Soulevez la garniture jusqu'au support de montage du plafond, en passant les vis desserrées dans le support de montage du plafond dans les fentes en forme de « trou de serrure » de la garniture. Tournez la garniture (dans le sens antihoraire) jusqu'à ce qu'elle se verrouille en place contre les vis à l'extrémité arrondie des fentes en forme de « trou de serrure ».

AVERTISSEMENT : Assurez-vous que la « languette de contrôle » située en bas du support de suspension est correctement placée dans la « fente d'enregistrement » sur le côté de la boule de suspension avant de fixer la garniture au support.

Étape 4. Réinstallez les 2 vis retirées dans les trous alignés de la garniture et dans le support de montage du plafond. Serrez bien les 4 vis. **(Image 15)**

Étape 5. Relevez avec précaution l'anneau décoratif jusqu'au sommet de la garniture. **(Image 16)**

REMARQUE : L'anneau décoratif coulissera en position lorsqu'il sera aligné avec les têtes de vis du support de montage au plafond. Alignez les ouvertures en haut des vis de blocage (2 de chaque côté de l'anneau décoratif) avec les 2 têtes de vis de chaque côté du support de montage au plafond. **(Image 16)**

Tournez délicatement l'anneau décoratif (dans le sens des aiguilles d'une montre) jusqu'à ce qu'il s'enclenche sur les têtes de vis. **(Image 16)**.

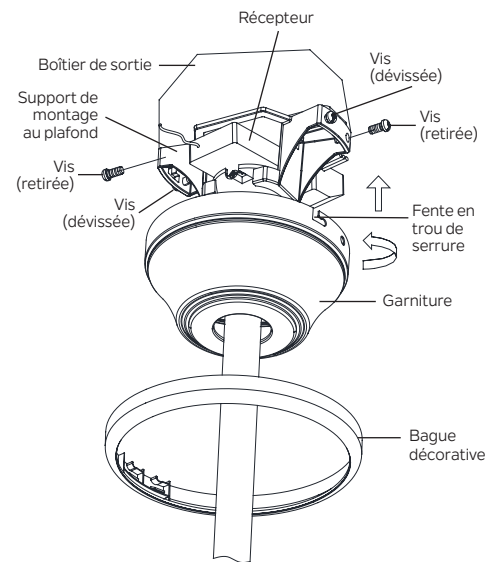


Image 15

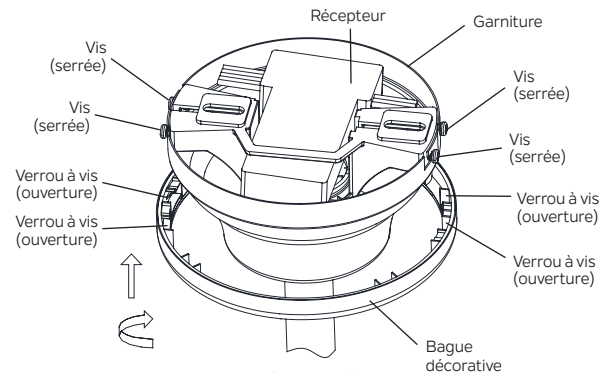


Image 16

INSTALLATION PRÈS DU PLAFOND

Étape 1. Rentrez soigneusement toutes les connexions dans la boîte de sortie au plafond.

Étape 2. En haut du support de montage au plafond, il y a 4 vis préinstallées (2 de chaque côté). De chaque côté du support de montage du plafond, desserrez la première vis (gauche) juste assez pour que la vis puisse se verrouiller dans une fente en forme de « trou de serrure » dans la garniture. Retirez la deuxième vis (droite). **(Image 17)**

Étape 3. Retirez le ventilateur du crochet sur le support de montage du plafond. Soulevez le ventilateur jusqu'au support de montage du plafond, en faisant passer les vis desserrées dans le support de montage du plafond dans les fentes en forme de « trou de serrure » de la garniture. Tournez le ventilateur (dans le sens antihoraire) jusqu'à ce que la garniture se verrouille en place contre les vis à l'extrémité arrondie des fentes en forme de serrure.

Étape 4. Réinstallez les 2 vis retirées dans les trous alignés de la garniture et dans le support de montage du plafond. Serrez bien les 4 vis. **(Image 17)**

AVERTISSEMENT : Réinstallez les 2 vis du support de montage au plafond qui ont été retirées immédiatement une fois la garniture verrouillée en place contre les 2 vis desserrées. Les 4 vis du support de montage au plafond doivent être installées et serrées pour assurer le montage et le fonctionnement sécuritaires de ce ventilateur.

Étape 5. Relevez avec précaution l'anneau décoratif jusqu'au sommet de la garniture. **(Image 16)**

REMARQUE : L'anneau décoratif coulissera en position lorsqu'il sera aligné avec les têtes de vis du support de montage au plafond. Alignez les ouvertures en haut des vis de blocage (2 de chaque côté de l'anneau décoratif) avec les 2 têtes de vis de chaque côté du support de montage au plafond. **(Image 16)**

Tournez délicatement l'anneau décoratif (dans le sens des aiguilles d'une montre) jusqu'à ce qu'il s'enclenche sur les têtes de vis. **(Image 16).**

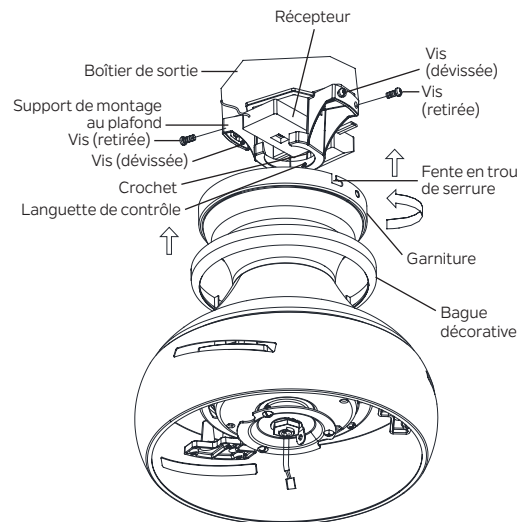


Image 17

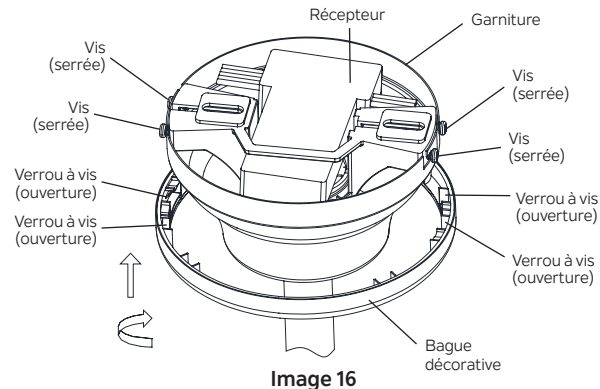


Image 16

FIXATION DES PALES DU VENTILATEUR

ATTENTION : Pour réduire le risque d'électrocution, débranchez le circuit d'alimentation électrique du ventilateur avant d'installer les pales du ventilateur.

Étape 1. Insérez la pale du ventilateur dans une fente du volant d'inertie. **(Image 18)**

Alignez les trous de la pale du ventilateur sur ceux du volant et fixez la pale du ventilateur au volant à l'aide de trois rondelles en fibre et de trois vis de montage de la pale. Serrez les vis de montage de la pale pour la fixer.

Étape 2. Répétez l'opération pour les autres pales du ventilateur. **(Image 18)**

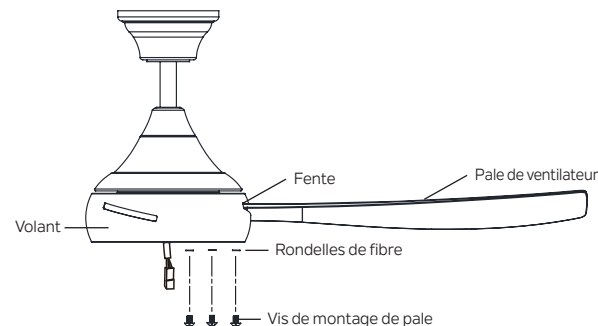


Image 18

INSTALLATION DE LA PLAQUE DE MONTAGE

ATTENTION : Pour réduire le risque d'électrocution, débranchez le circuit d'alimentation électrique du ventilateur avant d'installer la plaque de montage.

Étape 1. Desserrez deux des vis de la bague de montage fixée à l'arbre du moteur, puis retirez et conservez la troisième vis de la bague de montage. **(Image 19)**

Étape 2. Placez les trous de fixation de la plaque de montage sur les deux vis de l'anneau de montage qui ont été desserrées sur l'anneau de montage, et tournez la plaque de montage (dans le sens des aiguilles d'une montre) jusqu'à ce qu'elle s'enclenche contre les vis de l'anneau de montage au niveau des sections étroites des trous de fixation. **(Image 19)**

Remplacez la troisième vis de l'anneau de montage qui a été retirée précédemment et serrez les trois vis de l'anneau de montage pour les fixer. **(Image 19)**

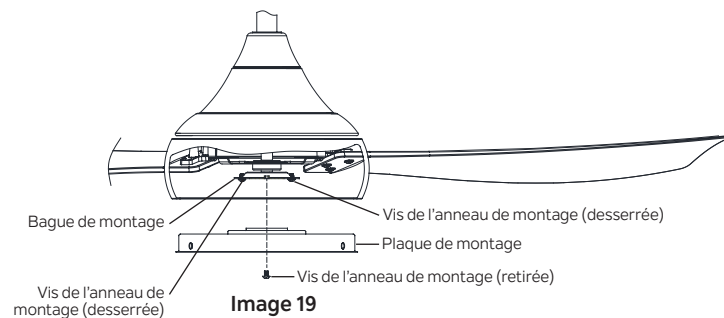


Image 19

INSTALLATION DU KIT D'ÉCLAIRAGE ET L'ABAT-JOUR EN VERRE

(SI VOUS N'UTILISEZ PAS LE COUVERCLE DÉCORATIF)

ATTENTION : Pour réduire le risque d'électrocution, débranchez le circuit d'alimentation électrique du ventilateur avant d'installer le kit d'éclairage et l'abat-jour en verre.

Étape 1. Desserrez deux des vis de la plaque de montage, puis retirez et conservez la troisième vis de la plaque de montage. **(Image 20)**

Étape 2. Tout en tenant la trousse d'éclairage sous votre ventilateur de plafond, poussez les connecteurs carrés des fils ensemble. Un du ventilateur et un de la trousse d'éclairage. **(Image 20)**

REMARQUE : Les connecteurs s'enclenchent UNIQUEMENT lorsque leurs formes sont appariées (alignées).

Étape 3. Rentez soigneusement les raccordements dans la plaque de montage. Placez les trous de fixation du kit d'éclairage sur les deux vis de la plaque de montage qui ont été desserrées, et tournez le kit d'éclairage (dans le sens des aiguilles d'une montre) jusqu'à ce qu'il s'enclenche contre les vis de la plaque de montage au niveau des sections étroites des trous de fixation.

Remplacez la troisième vis de la plaque de montage qui a été retirée précédemment et serrez les trois vis de la plaque de montage pour les fixer. **(Image 20)**

Étape 4. Soulevez l'abat-jour en verre jusqu'au ventilateur, placez-le contre la plaque de montage et tournez-le dans le sens des aiguilles d'une montre dans la plaque de montage jusqu'à ce qu'il soit bien en place, **NE SERREZ PAS TROP.** **(Image 20)**

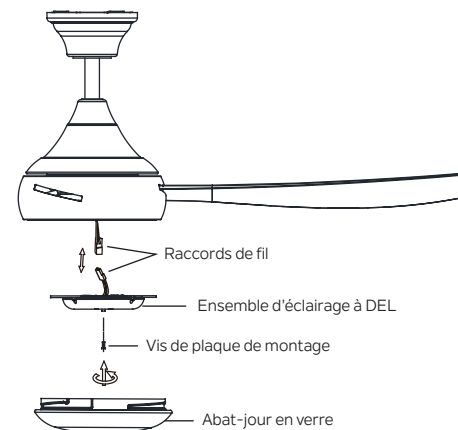
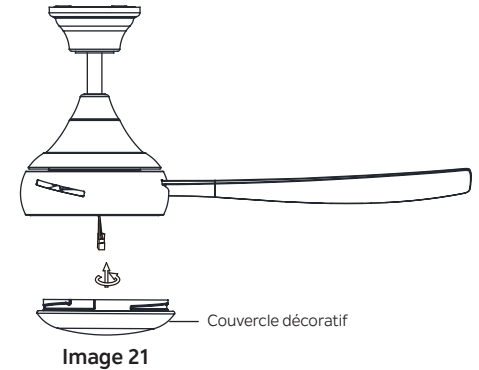


Image 20

INSTALLATION DU COUVERCLE DÉCORATIF (SI VOUS N'UTILISEZ PAS LE KIT D'ÉCLAIRAGE ET L'ABAT-JOUR EN VERRE)

ATTENTION : Pour réduire le risque d'électrocution, débranchez le circuit d'alimentation électrique du ventilateur avant d'installer le couvercle décoratif.

Étape 1. Soulevez le couvercle décoratif jusqu'au ventilateur, placez-le contre la plaque de montage et tournez-le dans le sens des aiguilles d'une montre dans la plaque de montage jusqu'à ce qu'il soit bien en place, **NE SERREZ PAS TROP.** (Image 21)



INSTALLATION DE LA PLAQUE MURALE COOL TOUCH™

ATTENTION : Pour éviter tout risque d'électrocution, assurez-vous d'avoir coupé l'alimentation au panneau de circuit principal avant de procéder au câblage.

AVERTISSEMENT : Tout le câblage doit être conforme au National Electrical Code et aux codes électriques locaux. L'installation électrique doit être effectuée par un électricien qualifié et agréé.

Sélectionnez un emplacement pour installer votre plaque murale CoolTouch™. Vous pouvez remplacer un interrupteur mural existant ou installer la plaque murale sur N'IMPORTE QUELLE surface plane.

Option 1 : Installez la plaque murale en utilisant un boîtier de sortie d'interrupteur mural existant.

ATTENTION : L'installation de l'interrupteur doit être conforme à tous les codes électriques locaux et nationaux. Assurez-vous que l'alimentation électrique est COUPEE au niveau du panneau principal avant de continuer.

Étape 1. Retirez la plaque murale existante et l'ancien interrupteur de la boîte de sortie murale. Raccordez les fils NOIRS (phase) ensemble et repoussez-les à l'intérieur du boîtier de sortie. (Image 22)

Étape 2. Installez la plaque métallique et la plaque murale CoolTouch™ sur la boîte de prise murale existante avec les 4 vis fournies. Insérez les deux bouchons en plastique dans la plaque murale. (Image 23)

Option 2 : Installez la plaque murale sur N'IMPORTE QUELLE surface plane.

Étape 1. Sélectionnez l'emplacement souhaité et utilisez la plaque murale CoolTouch™ pour marquer l'emplacement des trous de montage.

Étape 2. Utilisez les ancrages pour cloison sèche et les vis fournies pour terminer l'installation.

INSTALLATION DE L'ÉMETTEUR

Étape 1. Insérez l'émetteur dans la plaque murale en insérant d'abord le bas de l'émetteur, puis en enfonçant le haut de l'émetteur dans la poche. L'émetteur fonctionnera entièrement à cet endroit, et vous pouvez aussi le retirer et l'utiliser comme dispositif portable. (Image 24)

Étape 2. Pour retirer l'émetteur de la plaque murale, appuyez sur le bouton de déverrouillage et l'émetteur tombera dans votre main.

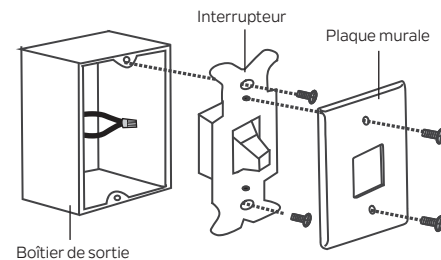


Image 22

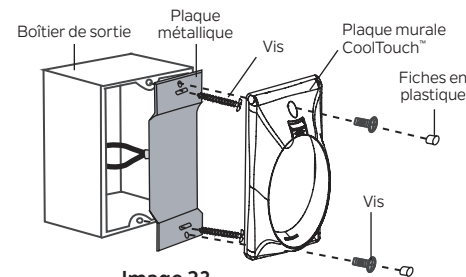


Image 23

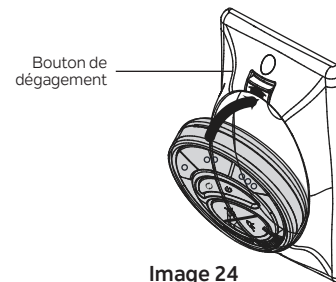


Image 24

INSTRUCTIONS D'UTILISATION

INSTALLATION DES PILES DE L'ÉMETTEUR (Image 25)

Étape 1. Retirez le couvercle arrière de l'émetteur et la vis de sécurité. (Image 25)
Installez deux piles 3V CR2032 (incluses) avec le côté + vers le haut.

REMARQUE : Pour éviter d'endommager l'émetteur, retirez les piles si vous ne l'utilisez pas pendant une longue période (plusieurs mois).

Étape 2. Remplacez le couvercle arrière de l'émetteur et la vis de sécurité.

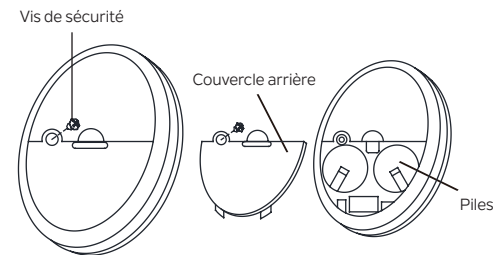


Image 25



AVERTISSEMENT : Risque de brûlure chimique. Gardez les piles hors de portée des enfants. Ce produit contient une pile bouton au lithium. Si une pile bouton au lithium neuve ou usagée est avalée ou pénètre dans le corps, elle peut provoquer de graves brûlures internes et entraîner la mort en moins de 2 heures. Sécurisez toujours complètement le compartiment des piles. Si la pile et le compartiment ne se ferment pas correctement, arrêtez d'utiliser le produit, retirez les piles et tenez-le hors de portée des enfants. Si vous pensez que des piles ont été avalées ou placées à l'intérieur d'une partie du corps, consultez immédiatement un médecin.

a) Les piles boutons doivent être éliminées de manière appropriée, y compris en les gardant hors de portée des enfants ; et
b) Même les piles boutons usagées peuvent causer des blessures.

MODE D'EMPLOI (suite)

COMMUTATEUR DE SÉLECTION DE LA FONCTION D'ÉCLAIRAGE (Image 26)

D = « Gradation »

O = « Seulement activé/désactivé, pas de gradation »

REMARQUE : le kit d'éclairage DEL fourni avec ce ventilateur est à intensité réglable; l'interrupteur a donc été réglé en usine sur « D ».

REMARQUE : si le kit d'éclairage DEL à intensité réglable inclus est installé sur ce ventilateur; l'interrupteur doit toujours être réglé sur « D ».

REMARQUE : le réglage marche/arrêt seulement est destiné à être utilisé avec des trousseaux/lampes d'éclairage à DEL non réglables et des trousseaux d'éclairage dotées de lampes fluorescentes.

AVERTISSEMENT : si l'interrupteur « D/O » n'est pas réglé correctement, le système de commande d'éclairage fonctionnera de façon irrégulière et pourrait endommager votre ventilateur de plafond.

JUMELAGE DE L'ÉMETTEUR AU VENTILATEUR (Image 26)

REMARQUE : votre émetteur a été jumelé au récepteur de votre ventilateur en sortie d'usine. Aucun changement de fréquence n'est nécessaire. Si le ventilateur n'est pas fonctionnel ou si vous souhaitez installer un ventilateur supplémentaire avec un code de fréquence distinct, suivez les étapes ci-dessous pour jumeler un émetteur à un récepteur.

AVERTISSEMENT : Assurez-vous que l'alimentation est complètement coupée avant de commencer ce processus.

IMPORTANT : Le moteur et les pales du ventilateur DOIVENT être installés avant que la procédure de jumelage puisse commencer.

Étape 1. Retirez la vis de sécurité et le couvercle du boîtier de la pile de l'arrière de l'émetteur. Conservez la vis de sécurité.

Étape 2. Après avoir installé les piles de l'émetteur, mettez le ventilateur sous tension au niveau du disjoncteur ou de la boîte à fusibles et, dans les 30 secondes qui suivent, appuyez sur le bouton LEARN au dos de l'émetteur (**Image 26**) et maintenez-le enfoncé pendant 3 secondes. Le ventilateur se met en marche à vitesse moyenne et le kit d'éclairage (s'il est installé) s'allume. Cela confirme que le processus de jumelage est terminé.

REMARQUE : Si vous n'appuyez pas sur le bouton LEARN dans les 30 secondes, coupez l'alimentation secteur du ventilateur au niveau du disjoncteur ou de la boîte à fusibles (cela réinitialisera l'appareil), puis répétez l'**étape 2**.

Étape 3. Essayez différents réglages de vitesse sur la commande murale pour vous assurer que le ventilateur est maintenant entièrement fonctionnel. Si la programmation échoue, coupez l'alimentation du secteur du ventilateur au niveau du disjoncteur ou de la boîte à fusibles (ce qui réinitialisera l'appareil), puis répétez l'**étape 2**.

Étape 4. Réinstallez le couvercle du boîtier de la pile et la vis de sécurité sur l'arrière de l'émetteur.

REMARQUE : Veuillez conserver cette page au cas où une reprogrammation serait nécessaire à l'avenir ou si une télécommande supplémentaire est ajoutée.

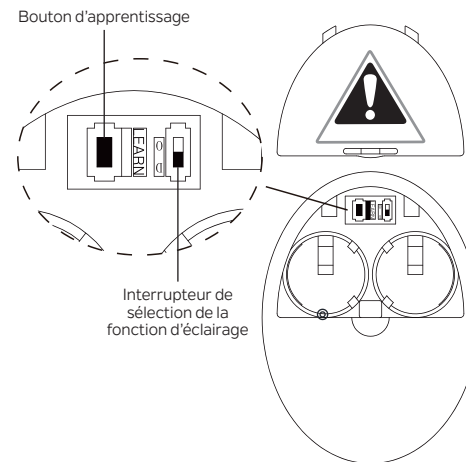








Image 26

MODE D'EMPLOI (suite)

FONCTIONNEMENT DE L'ÉMETTEUR (Image 27)

-  **Bouton ARRÊT**
Appuyer une fois pour arrêter le ventilateur.
-  **Bouton vitesse élevée**
Appuyer une fois pour démarrer le ventilateur à haute vitesse.
-  **Bouton vitesse moyenne**
Appuyer une fois pour démarrer le ventilateur à vitesse moyenne.
-  **Bouton vitesse lente**
Appuyer une fois pour démarrer le ventilateur à faible vitesse.
-  **Boutons d'éclairage**
Appuyez une fois pour allumer ou éteindre la lumière.
INTENSITÉ RÉGLABLE : Maintenez enfoncé pour faire varier l'intensité de l'éclairage au niveau souhaité, puis relâchez.
-  **Bouton inverse**
Pendant que le ventilateur est en marche, appuyez une fois sur le bouton d'inversion et le ventilateur inversera la direction.

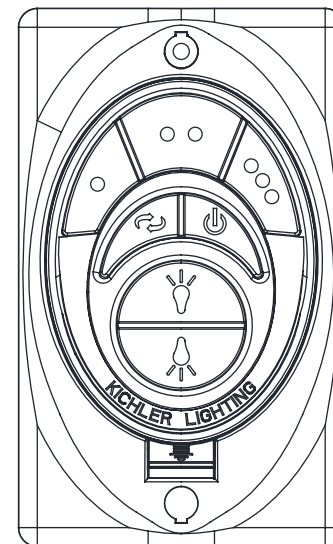


Image 27

MODE D'EMPLOI (suite)

Pour activer la fonction sens inverse de ce ventilateur, appuyez sur le bouton « Reverse » de l'émetteur lorsque le ventilateur est en marche.

Fonctionnement par temps chaud : « Forward » (sens direct) : les pales du ventilateur tournent dans le sens antihoraire. Un flux d'air descendant crée un effet rafraîchissant (**Image 28**). Cela vous permet de régler votre climatiseur sur un réglage plus chaud sans affecter votre confort général.

Fonctionnement par temps frais : « Reverse » (sens inverse) : les pales du ventilateur tournent dans le sens horaire. Un flux d'air ascendant évacue l'air chaud des zones du plafond (**Image 29**). Cela vous permet de régler votre unité de chauffage sur un réglage plus froid sans affecter votre confort général.

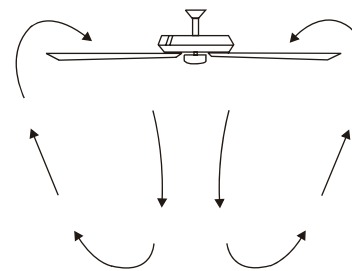


Image 28

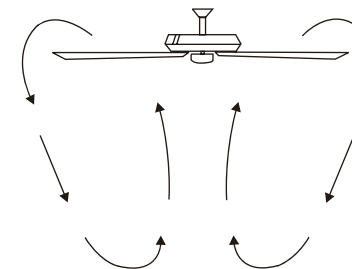


Image 29

DÉPANNAGE

Problème

Solution

Le ventilateur ne démarre pas.

1. Vérifiez les fusibles ou les disjoncteurs.
2. Assurez-vous que les piles de l'émetteur sont installées correctement avec le côté + orienté vers le haut et qu'elles sont toujours sous tension. **REMARQUE :** Lorsqu'un bouton est enfoncé sur l'émetteur, le rétroéclairage de l'émetteur s'allumera si les piles sont encore chargées.
3. Vérifiez tous les raccordements électriques pour assurer un bon contact. **ATTENTION : Assurez-vous que l'alimentation principale est coupée lors de la vérification de tout raccordement électrique.**

Le ventilateur fait du bruit.

1. Assurez-vous que toutes les vis du boîtier du moteur sont bien serrées.
2. Assurez-vous que les vis qui fixent les supports des pales du ventilateur au moteur sont bien serrées.
3. Assurez-vous que les raccords des écrous métalliques ne frottent pas les uns contre les autres ou contre la paroi intérieure du boîtier de l'interrupteur. **ATTENTION : Assurez-vous que l'alimentation principale est coupée.**
4. Prévoyez une période de « rodage » de 24 heures. La plupart des bruits associés à un nouveau ventilateur disparaîtront pendant ce temps.
5. Si vous utilisez un ensemble d'éclairage en option, assurez-vous que les vis fixant la verrerie sont bien serrées. Assurez-vous que les ampoules ne touchent aucun autre composant.
6. Ne connectez pas ce ventilateur à une ou plusieurs commandes de vitesse variable fixées au mur. Ils ne sont pas compatibles avec les moteurs de ventilateurs de plafond ou les télécommandes.
7. Assurez-vous que l'auvent supérieur est à une courte distance du plafond. Elle ne doit pas toucher le plafond.

DÉPANNAGE (suite)

Problème

Solution

Le ventilateur vacille.

1. Vérifiez que toutes les vis de la pale et du bras de pale sont bien fixées.
2. La plupart des problèmes d'oscillation du ventilateur sont causés lorsque les niveaux des pales sont inégaux. Vérifiez ce niveau en sélectionnant un point sur le plafond au-dessus de la pointe de l'une des pales. Mesurez cette distance. Faites tourner le ventilateur jusqu'à ce que la pale suivante soit positionnée pour la mesure. Répétez pour chaque pale. L'écart de distance doit être égal à 3 mm (1/8 po).
3. Si l'oscillation de la pale est toujours perceptible, interchanger deux pales adjacentes (côte à côte) peut redistribuer le poids et éventuellement entraîner un fonctionnement plus fluide.

Dysfonctionnement de la télécommande.

1. Les ventilateurs de plafond équipés de systèmes de télécommande NE PEUVENT PAS être utilisés avec un autre système de commande SAUF un interrupteur mural Marche/Arrêt de base si vous le souhaitez.
2. Assurez-vous que le fil d'antenne noir du récepteur N'EST PAS emmêlé avec d'autres fils électriques et qu'il s'étend autour de l'intérieur du couvercle de la garniture. **ATTENTION : Assurez-vous que l'alimentation principale est coupée.**

AVERTISSEMENT : POUR RÉDUIRE LE RISQUE DE BLESSURES PERSONNELLES ET POUR ASSURER LE BON FONCTIONNEMENT DE VOTRE VENTILATEUR DE PLAFOND, NE FIXEZ JAMAIS LES ENSEMBLES DE PALES TANT QUE LE VENTILATEUR DE PLAFOND N'A PAS ÉTÉ MONTÉ AU PLAFOND. NE PLIEZ PAS LES PALES PENDANT L'INSTALLATION, L'ÉQUILIBRAGE OU LE NETTOYAGE DU VENTILATEUR. NE PAS INSÉRER D'OBJETS ÉTRANGERS ENTRE LES PALES DU VENTILATEUR EN ROTATION.

INFORMATION FCC

Cet appareil est conforme aux exigences de la section 15 du règlement de la FCC. Fonctionnement assujetti aux deux conditions d'utilisation suivantes :

- 1) Cet appareil ne doit pas provoquer d'interférences nuisibles, et
- 2) Cet appareil doit accepter tous les brouillages reçus, y compris ceux pouvant causer un fonctionnement indésirable.

Remarque : Cet équipement a été testé et déclaré conforme aux limites d'un appareil numérique de classe B, conformément à la partie 15 des règles FCC. Ces limites sont conçues pour fournir une protection raisonnable contre les interférences nuisibles dans une installation résidentielle. Cet équipement génère, utilise et peut émettre de l'énergie radiofréquence et, s'il n'est pas installé et utilisé conformément aux instructions, peut provoquer des interférences nuisibles aux communications radio. Cependant, il n'y a aucune garantie que des interférences ne se produiront pas dans une installation particulière. Si cet équipement provoque des interférences nuisibles à la réception de la radio ou de la télévision, ce qui peut être déterminé en éteignant et en rallumant l'équipement, l'utilisateur est encouragé à essayer de corriger les interférences par une ou plusieurs des mesures suivantes :

- Réorientez ou déplacez l'antenne de réception.
- Augmentez l'espace entre l'équipement et le récepteur.
- Branchez l'équipement à une prise sur un circuit différent de celui auquel le récepteur est raccordé.
- Consultez le revendeur ou un technicien radio/TV expérimenté pour obtenir de l'aide.

KICHLER®

www.kichler.com

KICHLER LIGHTING LLC
30455 SOLON RD.
SOLON, OHIO 44139 USA

SERVICE À LA CLIENTÈLE 866.558.5706
8 h à 17 h EST, DU LUNDI AU VENDREDI

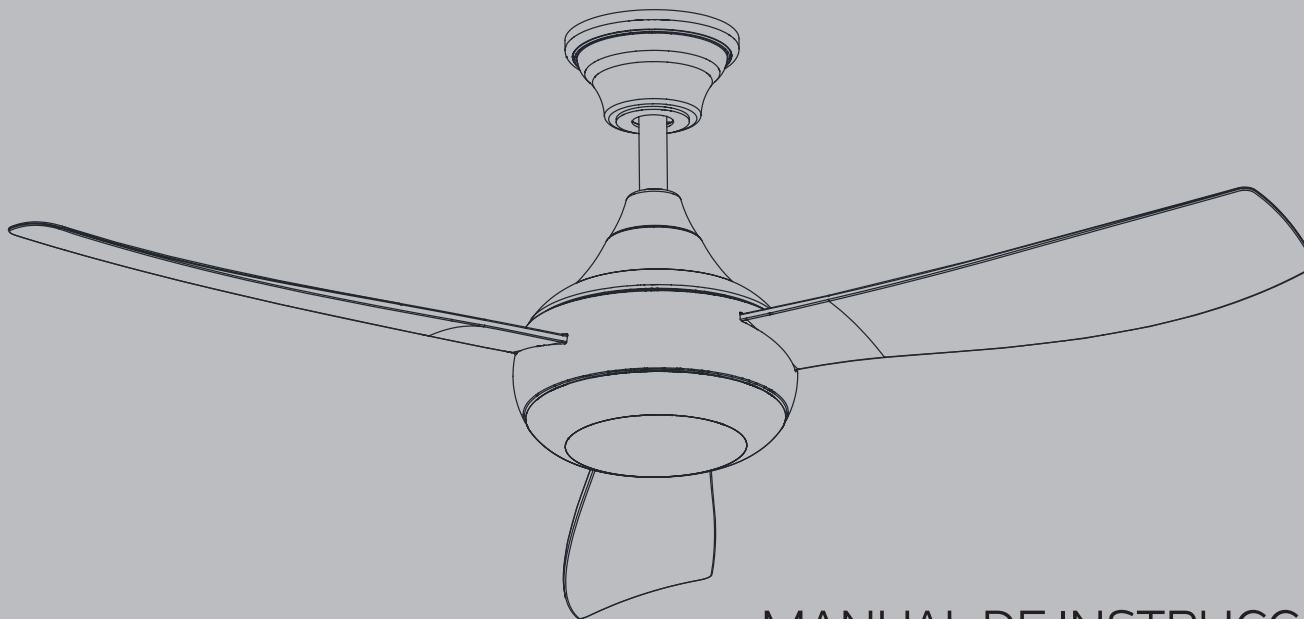
RÉV. 27 NOV. 2023

© Kichler Lighting LLC. Tous droits réservés.

KICHLER®

Ample de 1.37 m (54 in)

Las imágenes del producto pueden diferir ligeramente del producto real.



LEA Y GUARDE ESTAS INSTRUCCIONES

MANUAL DE INSTRUCCIONES
Número de modelo 310354

ÍNDICE

NORMAS DE SEGURIDAD.....	4	INSTALACIÓN DE LA PLACA DE MONTAJE.....	18
HERRAMIENTAS Y MATERIALES REQUERIDOS.....	6	INSTALACIÓN DEL KIT DE LUZ Y LA PANTALLA DE VIDRIO (SI NO SE UTILIZA LA TAPA DECORATIVA)	19
CONTENIDO DEL PAQUETE	6	INSTALACIÓN DE LA TAPA DECORATIVA (SI NO SE UTILIZA EL KIT DE LUZ Y LA PANTALLA DE VIDRIO).....	20
OPCIONES DE MONTAJE.....	7	INSTALACIÓN DE LA PLACA DE PARED COOLTOUCH....	21
COLGAR EL VENTILADOR.....	8	INSTALACIÓN DEL TRANSMISOR.....	21
INSTALACIÓN DEL CABLE DE SEGURIDAD	12	INSTRUCCIONES DE FUNCIONAMIENTO	22
CONEXIONES ELÉCTRICAS.....	13	RESOLUCIÓN DE PROBLEMAS	26
FINALIZACIÓN DE LA INSTALACIÓN.....	16	INFORMACIÓN DE LA FCC.....	28
INSTALACIÓN DE LAS ASPAS DEL VENTILADOR.....	18		

NORMAS DE SEGURIDAD

LEA Y GUARDE ESTAS INSTRUCCIONES

ADVERTENCIA: PARA CANADÁ, ESTE VENTILADOR DEBE FIJARSE DIRECTAMENTE A LA ESTRUCTURA DEL EDIFICIO/VIGA DEL TECHO. NO ASEGURE ESTE VENTILADOR A UNA CAJA DE SALIDA.

- PRECAUCIÓN: RIESGO DE DESCARGA ELÉCTRICA:** Desconecte la energía en el panel principal de disyuntores o en la caja de fusibles principal antes de comenzar y durante la instalación.
- ADVERTENCIA:** Todo el cableado debe instalarse de acuerdo con el Código Eléctrico Nacional 70 del Instituto Nacional Estadounidense de Estándares (American National Standards Institute, ANSI)/la Asociación Nacional de Protección contra Incendios (National Fire Protection Association, NFPA) y los códigos eléctricos locales. La instalación eléctrica debe ser realizada por un electricista calificado.
- ADVERTENCIA:** Para reducir el riesgo de descarga eléctrica, este ventilador debe instalarse con un interruptor/control de pared aislante de uso general.
- ADVERTENCIA:** No apto para usar con controles de velocidad de estado sólido.
- ADVERTENCIA:** Para reducir el riesgo de incendio, descarga eléctrica u otras lesiones personales, monte el ventilador conectándolo a la caja de salida marcada como "Apta para soporte de ventilador de 15.9 kg (35 lb) o menos" y use los tornillos de montaje proporcionados con la caja de salida. La mayoría de las cajas de salida comúnmente usadas para sujetar accesorios de iluminación no son aptas para sostener ventiladores y se deben reemplazar. Debido a la complejidad de la instalación de este ventilador, se recomienda enfáticamente la intervención de un electricista calificado con licencia.
- La caja de salida y la estructura de soporte deben estar montadas de manera segura y ser capaces de soportar de manera confiable un mínimo de 15.9 kg (35 libras). Use solo cajas de salida con certificación cULus y marcadas como "Apta para soporte de ventilador de 15.9 kg (35 lb) o menos".
- El ventilador debe montarse con un espacio libre mínimo de 2.1 m (7 pies) desde el borde posterior de las aspas hasta el suelo.
- Para operar la función de reversa de este ventilador, presione el botón "Reversa" en el transmisor mientras el ventilador está funcionando.
- Evite colocar objetos en el camino de las aspas.
- ADVERTENCIA:** asegúrese de que la corriente esté desconectada antes de limpiar el ventilador.

NORMAS DE SEGURIDAD (continuación)

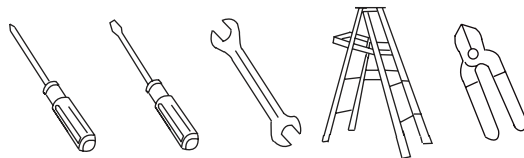
11. Para evitar lesiones personales o daños al ventilador y otros elementos, tenga cuidado cuando trabaje alrededor del ventilador o cuando lo limpie.
12. No use agua ni detergentes para limpiar el ventilador ni las aspas del ventilador. Un paño seco para el polvo o un paño ligeramente humedecido será adecuado para la mayor parte de la limpieza.
13. Después de realizar las conexiones eléctricas, los conductores empalmados deben girarse hacia arriba y empujarse con cuidado hacia la caja de salida. Los cables deben separarse con el conductor puesto a tierra, y el conductor de puesta a tierra del equipo en un lado de la caja de salida, y el conductor sin puesta a tierra en el otro lado de la caja de salida.
14. Los diagramas eléctricos son solo para fines de referencia. Los kits de luz que no vengan empaquetados con el ventilador deben tener la certificación cULus y estar marcados como aptos para usarse con el modelo de ventilador que está instalando. Los interruptores deben ser interruptores de uso general con certificación cULus. Consulte las instrucciones que vienen con los kits de luz e interruptores para un montaje adecuado.
15. Todos los tornillos de fijación deben revisarse y volverse a apretar cuando sea necesario antes de la instalación.

16. Peso neto: 9.0 KG (19.84 LB)/Peso bruto: 10.34 KG (22.8 LB)

ADVERTENCIA
PARA REDUCIR EL RIESGO DE LESIONES PERSONALES, NO DOBLE LOS SOPORTES DE LAS ASPAS DURANTE EL MONTAJE O DESPUÉS DE LA INSTALACIÓN. NO INTRODUZCA OBJETOS EN EL CAMINO DE LAS ASPAS.

HERRAMIENTAS Y MATERIALES REQUERIDOS

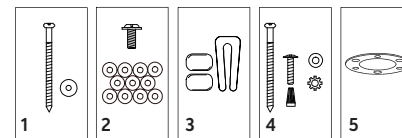
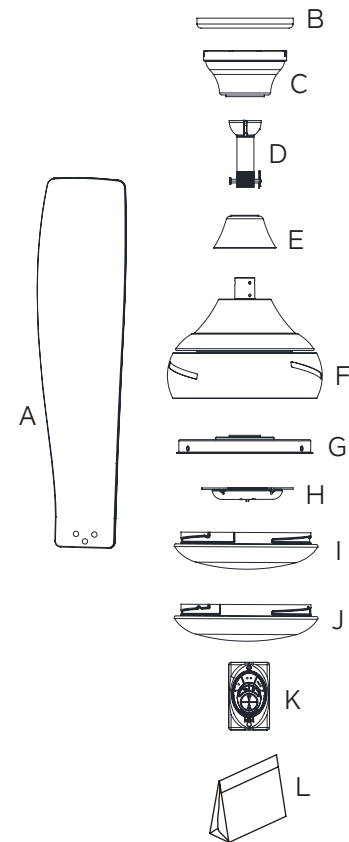
- Destornillador Phillips
- Destornillador plano
- Llave de 11 mm
- Escalera de tijera
- Cortadores de alambre



CONTENIDO DEL PAQUETE

Desempaque su ventilador y verifique el contenido. Debería tener los siguientes elementos:

- | | |
|---|---|
| <p>A. Aspas del ventilador (3)</p> <p>B. Anillo decorativo</p> <p>C. Soporte de montaje del techo y florón</p> <p>D. Conjunto de bola/varilla de extensión</p> <p>E. Cubierta de acoplamiento</p> <p>F. Conjunto del motor del ventilador</p> <p>G. Placa de montaje</p> <p>H. Kit de luz LED</p> <p>I. Pantalla de vidrio</p> <p>J. Tapa decorativa</p> <p>K. Transmisor (TR250B) y placa de pared</p> | <p>L. Accesorios del paquete</p> <p>1) Accesorios del cable de seguridad: Tornillo para madera (1), arandela plana (1)</p> <p>2) Accesorios para instalación de las aspas: Tornillos de montaje de las aspas (11), Arandelas de fibra (11)</p> <p>3) Kit de balanceo</p> <p>4) Accesorios de montaje: Tornillos para madera (2), arandelas planas (2), arandelas de estrella (2), tuercas de alambre (3), tornillos (2)</p> <p>5) Junta</p> |
|---|---|



OPCIONES DE MONTAJE

Si no existe una caja de montaje con certificación UL (cUL para la instalación en Canadá), lea las siguientes instrucciones. Desconecte la energía quitando los fusibles o apagando los disyuntores.

Fije la caja de salida directamente a la estructura del edificio. Utilice sujetadores y materiales de construcción adecuados. La caja de salida y su soporte deben poder soportar completamente el peso total del ventilador (hasta 15.9 kg [35 libras]). No utilice cajas de salida de plástico.

Las **figuras 1, 2 y 3** son ejemplos de diferentes formas de montar la caja de salida.

NOTA: Si está instalando el ventilador de techo en un techo inclinado (abovedado), es posible que necesite una varilla de extensión más larga para mantener el espacio adecuado entre la punta del aspa y el techo. Se sugiere un espacio libre mínimo de 30.5 cm (12 in) para un funcionamiento óptimo.

NOTA: Según la ubicación que haya seleccionado para la instalación, es posible que deba comprar e instalar un "estribo para viguetas" para el soporte de la caja de salida. Asegúrese de que el estribo para viguetas que compre haya sido diseñado para usarse con ventiladores de techo. **(Figura 4)**

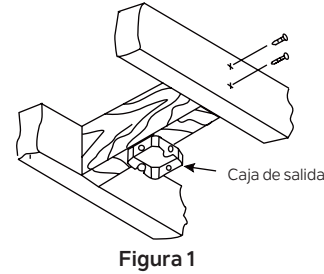


Figura 1

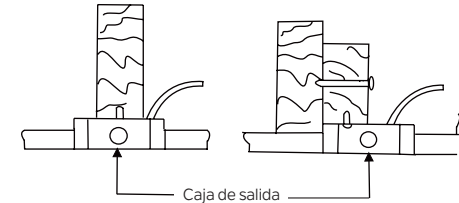


Figura 2

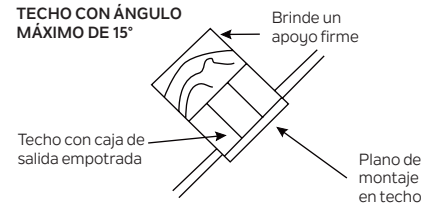


Figura 3

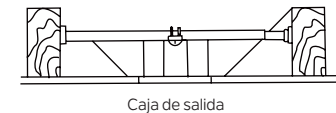


Figura 4

CÓMO COLGAR EL VENTILADOR

PRECAUCIÓN: Para evitar posibles descargas eléctricas, asegúrese de haber desconectado la energía en el panel del circuito principal.

ADVERTENCIA: Todos los tornillos de fijación deben revisarse y volverse a apretar cuando sea necesario antes de la instalación.

NOTA: Este ventilador de techo se suministra con dos tipos de ensamblaje colgante; la instalación de techo estándar con una varilla de extensión con montaje de bola y receptáculo y la instalación "cercana al techo". La instalación "cercana al techo" se recomienda en habitaciones con techos de menos de 2.44 m (8 pies) o en áreas donde se desea espacio adicional desde el piso hasta las aspas del ventilador.

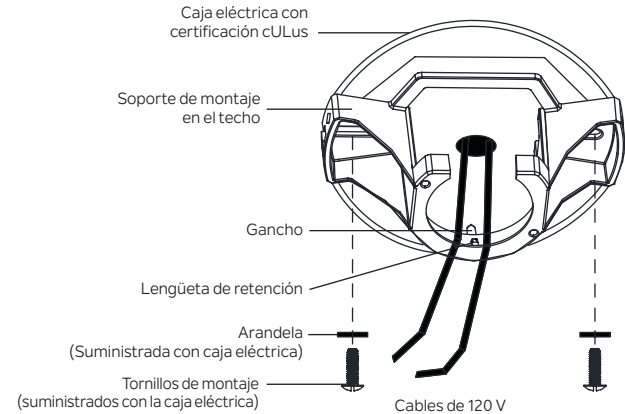


Figura 5

CÓMO COLGAR EL VENTILADOR (continuación)

Instalación estándar de techo

ADVERTENCIA: Todos los tornillos de fijación deben revisarse y volverse a apretar cuando sea necesario antes de la instalación.

Paso 1. Pase los cables de suministro de 120 voltios a través del orificio central del soporte de montaje en el techo como se muestra en la (Figura 5).

Paso 2. Asegure el soporte de montaje en el techo a la caja de salida del techo con los tornillos y las arandelas provistos con la caja de salida.

Paso 3. Retire el clip de retención y el pasador de enganche del conjunto de bola/varilla de extensión. Retire la bola de suspensión del conjunto de bola/varilla de extensión aflojando el tornillo de fijación de la bola de suspensión (no lo retire), desatornillando y quitando el pasador transversal y desatornillando la bola de suspensión de la varilla de extensión. (Figura 6)

Paso 4. Afloje los dos tornillos de fijación (no los retire) en el acoplamiento de la parte superior del conjunto del motor. (Figura 7)

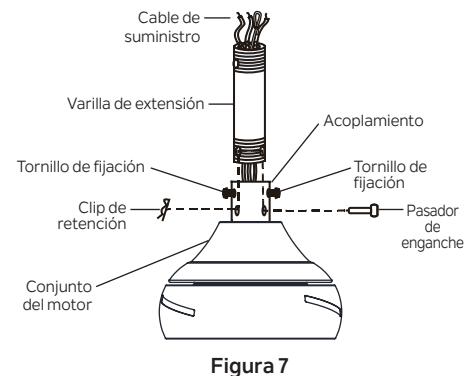
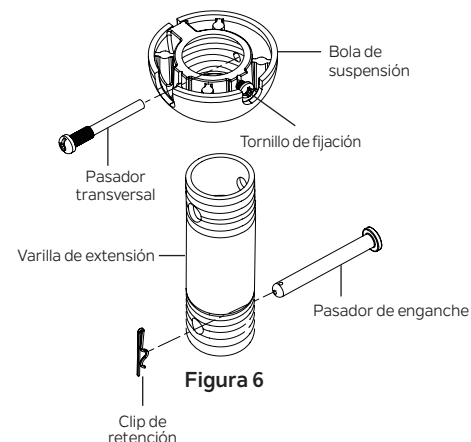
Paso 5. Introduzca con cuidado los cables conductores eléctricos y el cable de seguridad del acoplamiento en la parte superior del conjunto del motor hacia arriba a través de la varilla de extensión. Enrosque la varilla de extensión en el acoplamiento de la parte superior del conjunto del motor hasta que los orificios del pasador de enganche en la varilla de extensión y los orificios del pasador de enganche en el acoplamiento estén alineados. (Figura 7)

Paso 6. Inserte con cuidado el pasador de enganche a través de los orificios del acoplamiento y la varilla de extensión. (Figura 7)

NOTA: Tenga cuidado de no atascar el pasador de enganche con el cableado dentro de la varilla de extensión.

Inserte el clip de retención a través del orificio cerca del extremo del pasador de enganche hasta que encaje en su posición de bloqueo. (Figura 7)

Paso 7. Apriete firmemente los dos tornillos de fijación en el acoplamiento de la parte superior del conjunto del motor. (Figura 7)



CÓMO COLGAR EL VENTILADOR (continuación)

Paso 8. Deslice la cubierta de acoplamiento, el anillo decorativo (el lado con el acabado orientado hacia el motor) y el florón sobre la varilla de extensión. **(Figura 8B)**

Paso 9. Vuelva a instalar con cuidado la bola de suspensión en la varilla de extensión. Vuelva a instalar con cuidado el pasador transversal a través de la bola de suspensión y la varilla de extensión. **(Figura 8A)**

NOTA: Tenga cuidado de no atascar el pasador transversal con el cableado dentro de la varilla de extensión.

Asegúrese de que el pasador transversal esté en la posición correcta. Apriete el pasador transversal. Apriete el tornillo de fijación de la bola de suspensión. Asegúrese de que los cables no estén torcidos. **(Figura 8A)**

Paso 10. Levante el conjunto del motor a su posición y coloque la bola de suspensión en el receptáculo del soporte de montaje en el techo. Gire todo el conjunto hasta que la "lengüeta de retención" haya caído en la "ranura de registro" y se asiente firmemente. **(Figura 9)**

Todo el conjunto del motor no debe girar (hacia la izquierda o hacia la derecha) cuando se asiente correctamente.

ADVERTENCIA: Si no vuelve a colocar el pasador transversal y asienta la "lengüeta de retención", el ventilador puede caerse del techo durante el funcionamiento. Tenga especial cuidado para asegurarse de que este pasador se vuelva a colocar.

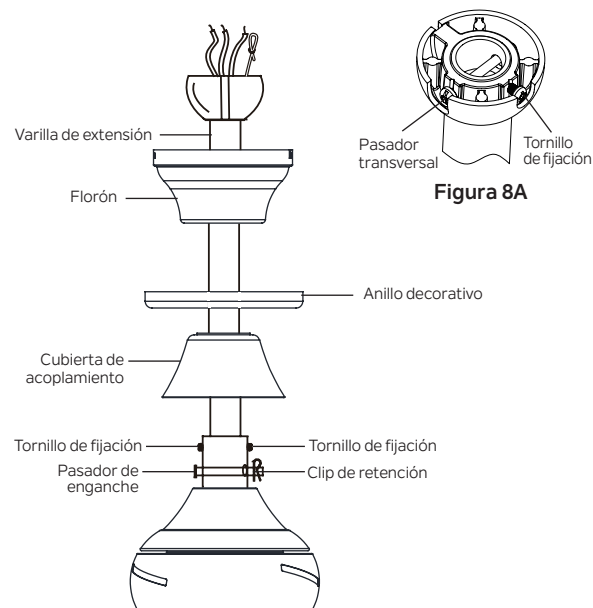


Figura 8B

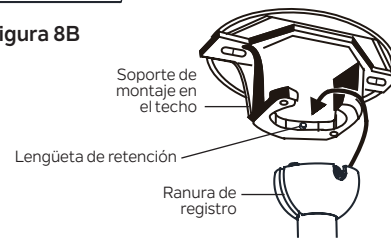


Figura 9

CÓMO COLGAR EL VENTILADOR (continuación)

Instalación cercana al techo

Paso 1. Pase los cables de suministro de 120 voltios a través del orificio central del soporte de montaje en el techo como se muestra en la **Figura 5**.

Paso 3. Asegure el soporte de montaje en el techo a la caja de salida del techo con los tornillos y las arandelas provistos con la caja de salida.

Paso 2. Retire la cubierta del florón empujándola hacia afuera (**Figura 10A**).

Paso 4. Retire tres de los seis tornillos y las arandelas de seguridad (uno sí y uno no) de la parte superior del conjunto del motor (**Figura 10B**). Conserve los tornillos y las arandelas de seguridad.

Paso 5. Coloque la junta, luego el anillo decorativo y luego el florón sobre el acoplamiento en la parte superior del conjunto del motor. Alinee los orificios del florón y la junta con los orificios en la parte superior del ensamble del motor y ajuste la junta y el florón al ensamble del motor con los tornillos y las arandelas de seguridad que se retiraron en el **paso 4**. (**Figura 10B**).

Paso 6. Apriete los tornillos firmemente (**Figura 10B**).

ADVERTENCIA: Si no se aprietan completamente los tres tornillos del paso 6, el ventilador podría aflojarse y posiblemente caerse.

Paso 7. Cuelgue el ventilador en el gancho del soporte de montaje en el techo. Asegúrese de que el florón esté completamente asegurado en el gancho como se muestra en la **Figura 11**. Esto le permitirá realizar las conexiones eléctricas.

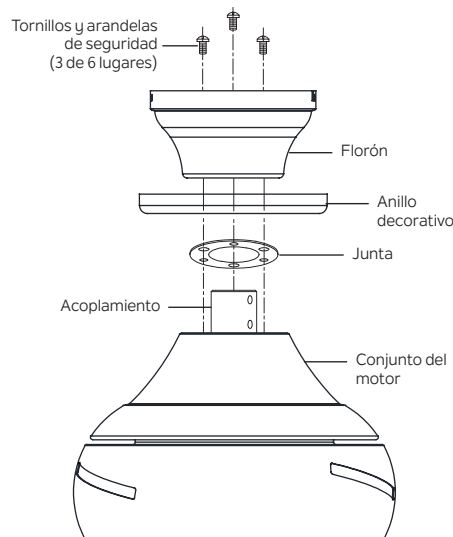


Figura 10B

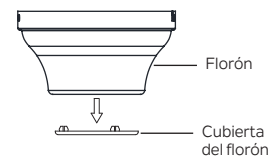


Figura 10A

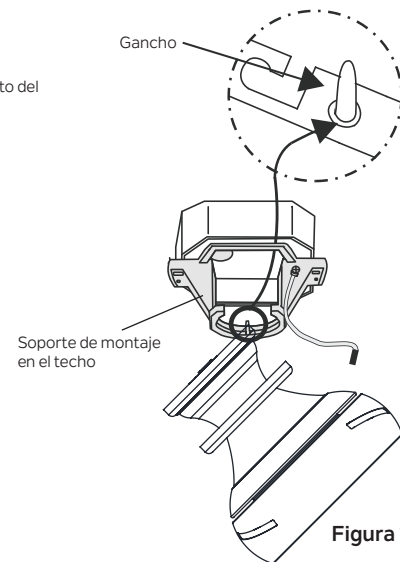


Figura 11

INSTALACIÓN DEL CABLE DE SEGURIDAD (ÚNICAMENTE es necesario para la instalación en Canadá)

Se proporciona un cable de soporte de seguridad para ayudar a evitar que el ventilador de techo se caiga; instálelo de la siguiente manera.

Paso 1. Fije el tornillo para madera y la arandela proporcionados a la viga del techo junto al soporte de montaje, pero no los apriete. **(Figura 12)**

Paso 2. Tire del cable adicional a través de la abrazadera del cable para ajustar la longitud del cable de seguridad a fin de alcanzar el tornillo para madera y la arandela hasta que la longitud total sea adecuada. Vuelva a colocar el extremo del cable a través de la abrazadera del cable, formando un lazo en el extremo del cable. Apriete firmemente la abrazadera del cable. Coloque el lazo en el extremo del cable de seguridad sobre el tornillo para madera y debajo de la arandela. Apriete firmemente el tornillo para madera.

NOTA: Aunque el cable de soporte de seguridad se requiere solo para instalaciones en Canadá, es recomendable hacer esta conexión en cualquier instalación.

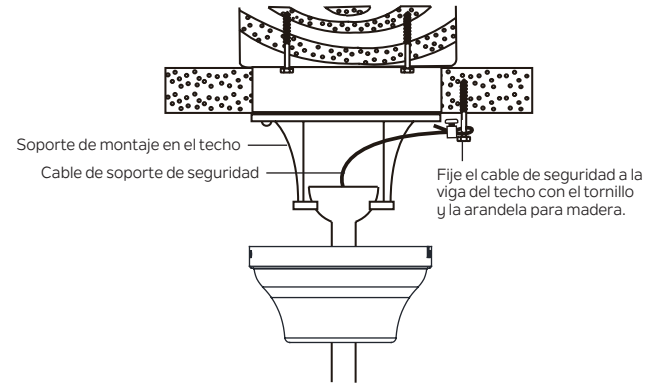


Figura 12

CONEXIONES ELÉCTRICAS

ADVERTENCIA: Para evitar posibles descargas eléctricas, asegúrese de haber desconectado la energía en el panel del circuito principal.

Paso 1. Inserte el receptor en el soporte de montaje del techo con el lado plano del receptor orientado hacia el techo. **(Figura 13)** Para lograr un mejor rendimiento, asegúrese de que el cable negro de la antena (en el extremo del receptor), permanezca extendido y no se enrede con ninguno de los cables eléctricos.

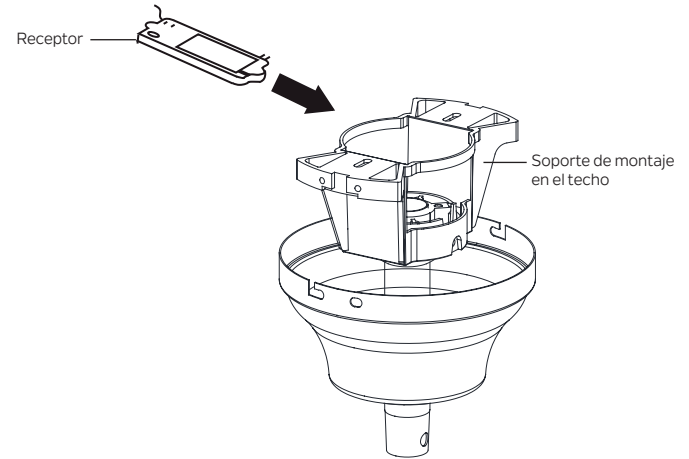


Figura 13

CONEXIONES ELÉCTRICAS (continuación)

ADVERTENCIA: Lea atentamente y conserve este Manual de instrucciones para referencia futura.

ADVERTENCIA: Para evitar posibles descargas eléctricas, asegúrese de haber desconectado la energía en el panel del circuito principal.

Siga los pasos a continuación para conectar el ventilador al cableado doméstico. Utilice las tuercas para la conexión de cables suministradas con el ventilador. Sujete los conectores con cinta aislante. Asegúrese de que no haya conexiones ni tramos de cables sueltos.

ADVERTENCIA: Todo el cableado debe cumplir con los códigos eléctricos nacionales y locales. Si cree que no tiene suficiente conocimiento eléctrico, pida a un electricista con licencia que instale el control.

ADVERTENCIA: Si los cables de su casa son de colores diferentes a los que se mencionan en este manual, deténgase inmediatamente. Se recomienda un electricista profesional para determinar el cableado adecuado.

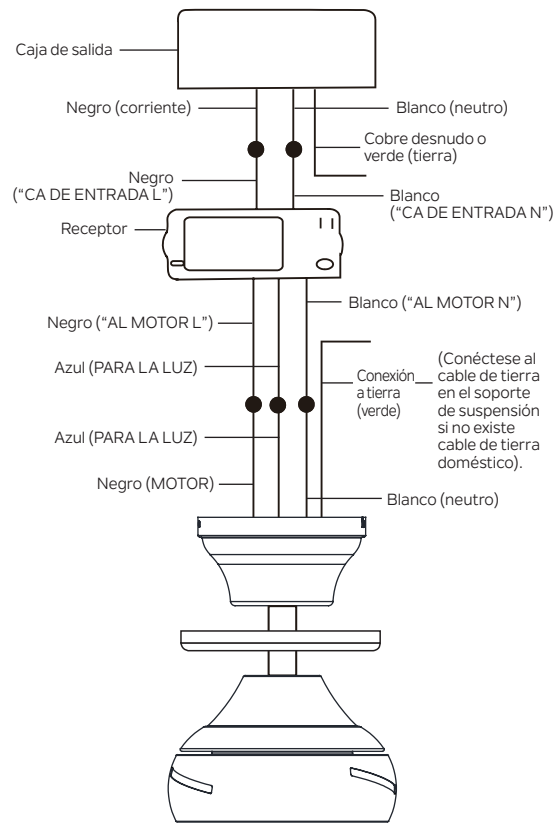


Figura 14

CONEXIONES ELÉCTRICAS (continuación)

ADVERTENCIA: Verifique que todas las conexiones estén apretadas, incluida la conexión a tierra, y que no se vea ningún cable desnudo en las conexiones de cables.

INSTRUCCIONES DE CABLEADO

Paso 2. Conexiones eléctricas del motor al receptor: (Figura 14)

Conecte el cable negro del ventilador al cable negro marcado “AL MOTOR L” del receptor.
Conecte el cable blanco del ventilador al cable blanco marcado “AL MOTOR N” (to motor n) del receptor.

Conecte el cable azul del ventilador al cable azul marcado “PARA LA LUZ” (for light) del receptor.
Fije todas las conexiones de cables con las tuercas de cable de plástico provistos.

Paso 3. Conexiones eléctricas del receptor a los cables de alimentación: (Figura 14)

Conecte el cable negro (carga) de la caja de salida del techo al cable negro marcado “CA de entrada L” del receptor.

Conecte el cable blanco (neutro) de la caja de salida del techo al cable blanco marcado “CA de entrada N” del receptor.

Fije las conexiones de cables con las tuercas de cable de plástico provistos.

Paso 4. Conecte el cable de tierra (cobre verde o desnudo) de la caja de salida del techo al cable de tierra del soporte de montaje del techo y al cable de tierra del ventilador de techo con una tuerca de cable de plástico incluida en la bolsa de piezas. (Figura 14)

Paso 5. Después de conectar los cables, gire las tuercas de conexión de cables hacia arriba y empuje el cableado hacia el interior de la caja de salida. Sepárelos de modo que los cables verde (conexión a tierra) y blanco (neutro) estén en un lado de la caja de salida y los cables negros (corriente) queden al otro lado.

NOTA: El ventilador debe instalarse a una distancia máxima de 30 pies de la transmisión remota para una transmisión de señal óptima entre el transmisor y el recepción del ventilador.

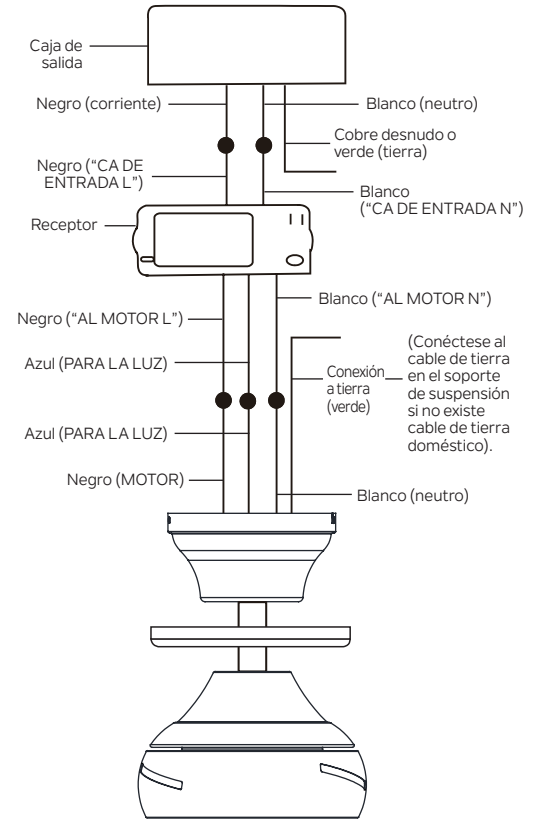


Figura 14

FINALIZACIÓN DE LA INSTALACIÓN

PRECAUCIÓN: Para evitar posibles descargas eléctricas, asegúrese de haber desconectado la energía en el panel del circuito principal.

INSTALACIÓN ESTÁNDAR DE TECHO

Paso 1. Meta todas las conexiones de manera ordenada en la caja de salida del techo.

Paso 2. En la parte superior del soporte de montaje en el techo, hay 4 tornillos preinstalados (2 a cada lado). A cada lado del soporte de montaje en el techo, afloje el primer tornillo (izquierdo) apenas lo suficiente para que el tornillo pueda bloquearse en una ranura de "orificio de chaveta" del florón. Retire el segundo tornillo (derecho). **(Figura 15)**

Paso 3. Eleve el florón hasta el soporte de montaje en el techo, pasando los tornillos aflojados en el soporte de montaje en el techo a través de las ranuras de "orificio de chaveta" del florón. Gire el florón (en sentido contrario a las manecillas del reloj) hasta que se traben en su lugar con los tornillos en el extremo redondeado de las ranuras de "orificio de chaveta".

ADVERTENCIA: Asegúrese de que la "lengüeta de retención" en la parte inferior del soporte de montaje en el techo esté correctamente asentada en la "ranura de registro" en el lado de la bola de suspensión antes de fijar el florón al soporte de montaje en el techo.

Paso 4. Vuelva a instalar los 2 tornillos que se retiraron en los orificios alineados del florón y el soporte de montaje en el techo. Apriete los cuatro tornillos para asegurarlos. **(Figura 15)**

Paso 5. Levante con cuidado el anillo decorativo hasta la parte superior del florón. **(Figura 16)**

NOTA: El anillo decorativo se deslizará hacia arriba en su posición cuando esté alineado con las cabezas de los tornillos en el soporte de montaje en el techo. Alinee las aberturas en la parte superior de los bloqueos de tornillo (2 en cada lado del anillo decorativo) con las 2 cabezas de tornillo a cada lado del soporte de montaje en el techo. **(Figura 16)**

Gire con cuidado el anillo decorativo (en el sentido de las agujas del reloj) hasta que encaje en su posición en las cabezas de los tornillos. **(Figura 16).**

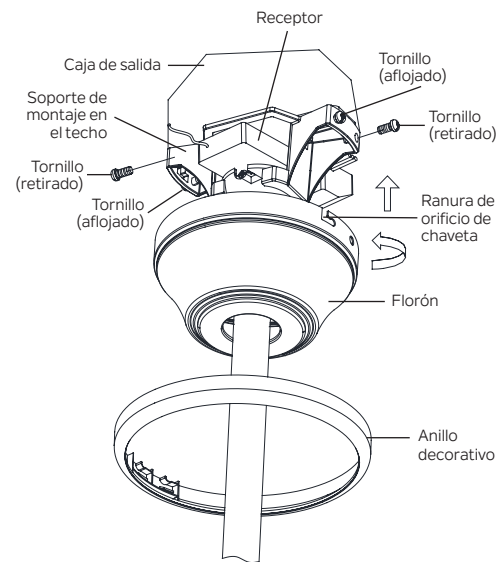


Figura 15

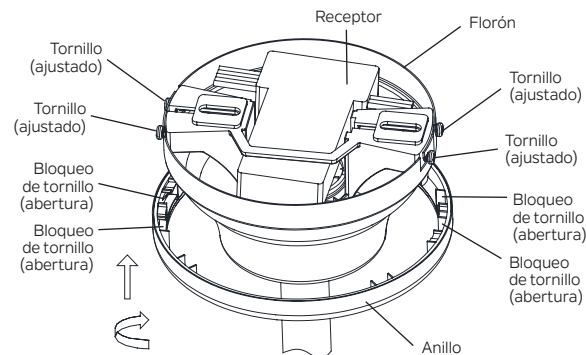


Figura 16

INSTALACIÓN CERCANA AL TECHO

Paso 1. Meta todas las conexiones de manera ordenada en la caja de salida del techo.

Paso 2. En la parte superior del soporte de montaje en el techo, hay 4 tornillos preinstalados (2 a cada lado). A cada lado del soporte de montaje en el techo, afloje el primer tornillo (izquierdo) apenas lo suficiente para que el tornillo pueda bloquearse en una ranura de "orificio de chaveta" del florón. Retire el segundo tornillo (derecho). **(Figura 17)**

Paso 3. Retire el ventilador del gancho del soporte de montaje en el techo. Eleve el ventilador hasta el soporte de montaje en el techo, pasando los tornillos aflojados en el soporte de montaje en el techo a través de las ranuras de "orificio de chaveta" del florón. Gire el ventilador (en sentido contrario a las manecillas del reloj) hasta que el florón se trabe en su lugar con los tornillos en el extremo redondeado de las ranuras de "orificio de chaveta".

Paso 4. Vuelva a instalar los 2 tornillos que se retiraron en los orificios alineados del florón y el soporte de montaje en el techo. Apriete los cuatro tornillos para asegurarlos. **(Figura 17)**

ADVERTENCIA: Vuelva a instalar los 2 tornillos del soporte de montaje en el techo que se retiraron inmediatamente después de que el florón se trabe en su lugar con los 2 tornillos aflojados. Los 4 tornillos del soporte de montaje en el techo se deben instalar y ajustar para garantizar el montaje y el funcionamiento seguros de este ventilador.

Paso 5. Levante con cuidado el anillo decorativo hasta la parte superior del florón. **(Figura 16)**

NOTA: El anillo decorativo se deslizará hacia arriba en su posición cuando esté alineado con las cabezas de los tornillos en el soporte de montaje en el techo. Alinee las aberturas en la parte superior de los bloques de tornillo (2 en cada lado del anillo decorativo) con las 2 cabezas de tornillo a cada lado del soporte de montaje en el techo. **(Figura 16)**

Gire con cuidado el anillo decorativo (en el sentido de las agujas del reloj) hasta que encaje en su posición en las cabezas de los tornillos. **(Figura 16).**

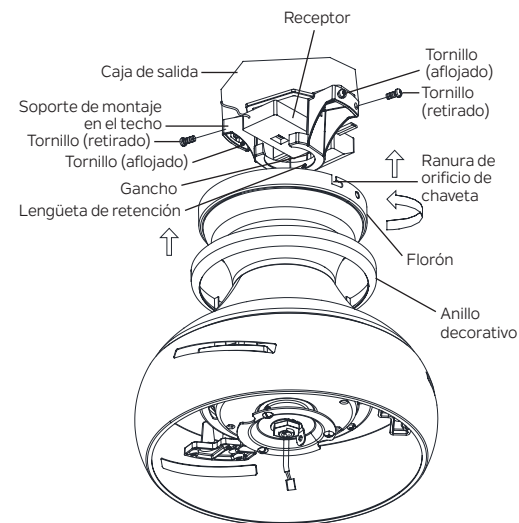


Figura 17

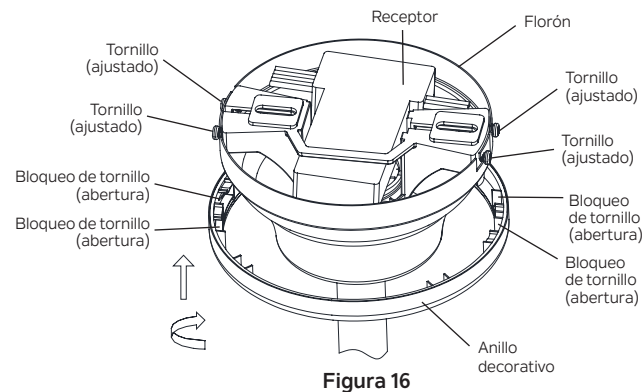


Figura 16

INSTALACIÓN DE LAS ASPAS DEL VENTILADOR

PRECAUCIÓN: Para reducir el riesgo de descarga eléctrica, desconecte el circuito de suministro eléctrico al ventilador antes de instalar las aspas.

Paso 1. Inserte el aspa del ventilador a través de una ranura en el volante. **(Figura 18)**

Alinee los orificios del aspa del ventilador con los orificios del volante y fije el aspa del ventilador al volante con tres arandelas de fibra y tres tornillos para montaje del aspa. Apriete los tornillos de montaje de las aspas para asegurarlas.

Paso 2. Repita para las aspas restantes. **(Figura 18)**

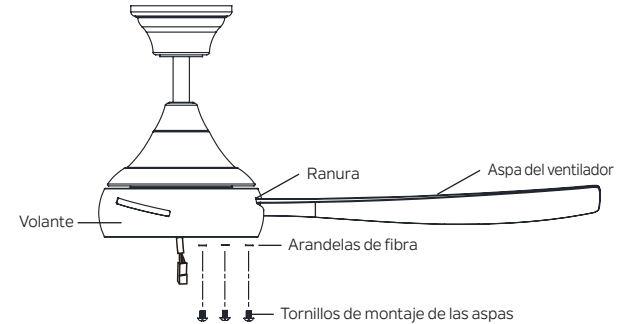


Figura 18

INSTALACIÓN DE LA PLACA DE MONTAJE

PRECAUCIÓN: Para reducir el riesgo de descarga eléctrica, desconecte el circuito de suministro eléctrico al ventilador antes de instalar la placa de montaje.

Paso 1. Afloje dos de los tornillos del anillo de montaje fijado al eje del motor y retire y guarde el tercer tornillo. **(Figura 19)**

Paso 2. Coloque los orificios de la llave en la placa de montaje sobre los dos tornillos previamente aflojados del anillo de montaje, gire la placa de montaje (en el sentido de las agujas del reloj) hasta que se trabe en su lugar con las secciones estrechas de los orificios de la llave. **(Figura 19)**

Vuelva a colocar el tercer tornillo del anillo de montaje que se retiró previamente y apriete los 3 tornillos del anillo de montaje para asegurarse. **(Figura 19)**

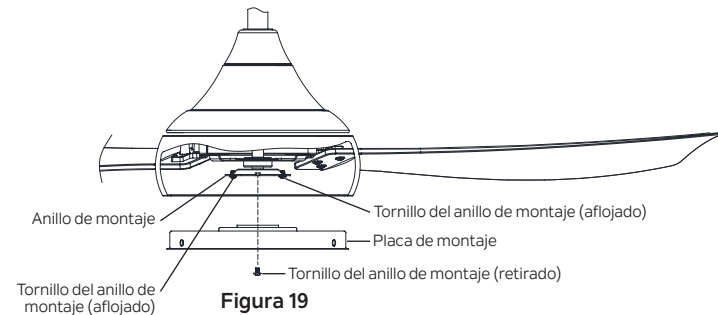


Figura 19

INSTALACIÓN DEL KIT DE LUZ Y LA PANTALLA DE VIDRIO (SI NO SE UTILIZA LA TAPA DECORATIVA)

PRECAUCIÓN: Para reducir el riesgo de descarga eléctrica, desconecte el circuito de suministro eléctrico al ventilador antes de instalar el kit de luz y la pantalla de vidrio.

Paso 1. Afloje dos de los tornillos de la placa de montaje en la placa de montaje y retire y guarde el tercer tornillo de la placa de montaje. **(Figura 20)**

Paso 2. Mientras sostiene el kit de luz debajo del ventilador de techo, presione los conectores cuadrados de cables para unirlos. Uno del ventilador y otro del kit de luz. **(Figura 20)**

NOTA: Los conectores SOLO se conectarán cuando los perfiles de los conectores coincidan (queden alineados).

Paso 3. Introduzca las conexiones cuidadosamente en la placa de montaje. Coloque los orificios de la llave del kit de luz sobre los dos tornillos de la placa de montaje previamente aflojados de la placa de montaje y gire el kit de luz (en el sentido de las agujas del reloj) hasta que se traben en su lugar con los tornillos de la placa de montaje en la sección estrecha de los orificios de la llave.

Vuelva a colocar el tercer tornillo de la placa de montaje que se retiró previamente y apriete los 3 tornillos de la placa de montaje para asegurarse. **(Figura 20)**

Paso 4. Levante la pantalla de vidrio hasta el ventilador, asíéntela contra la placa de montaje y gírela en el sentido de las agujas del reloj hacia la placa de montaje hasta que quede ajustada. **NO AJUSTE EN EXCESO.** **(Figura 20)**

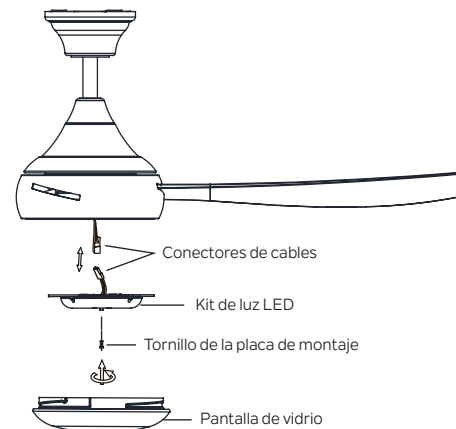


Figura 20

INSTALACIÓN DE LA TAPA DECORATIVA (SI NO SE UTILIZA EL KIT DE LUZ Y LA PANTALLA DE VIDRIO)

PRECAUCIÓN: Para reducir el riesgo de descarga eléctrica, desconecte el circuito de suministro eléctrico al ventilador antes de instalar la tapa decorativa.

Paso 1. Levante la tapa decorativa hasta el ventilador, asíéntela contra la placa de montaje y gírela en el sentido de las agujas del reloj hacia la placa de montaje hasta que quede ajustada. **NO AJUSTE EN EXCESO.** (Figura 21)

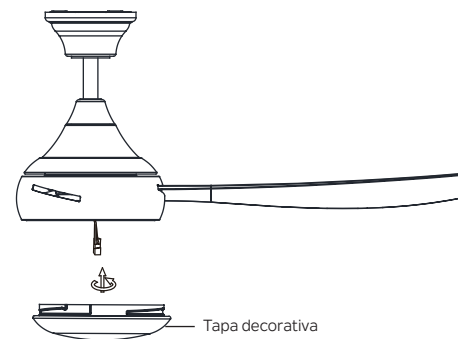


Figura 21

INSTALACIÓN DE LA PLACA DE PARED COOL TOUCH™

PRECAUCIÓN: Para evitar posibles descargas eléctricas, asegúrese de haber desconectado la energía en el panel del circuito principal.

ADVERTENCIA: Todo el cableado debe instalarse de acuerdo con el Código Eléctrico Nacional (National Electrical Code) y los códigos eléctricos locales. La instalación eléctrica debe ser realizada por un electricista calificado.

Seleccione una ubicación para instalar la placa de pared CoolTouch™. Puede reemplazar un interruptor de pared existente o instalar la placa de pared en CUALQUIER superficie plana.

Opción 1: Instale la placa de pared utilizando una caja de salida con interruptor de pared existente.

PRECAUCIÓN: La instalación del interruptor debe cumplir con todos los códigos eléctricos locales y nacionales. Asegúrese de que la energía eléctrica esté APAGADA en el panel principal antes de continuar.

Paso 1. Retire la placa de pared existente y el interruptor antiguo de la caja de salida de pared. Conecte los cables NEGROS (corriente) con una tuerca para cables y empújelos para regresarlos al interior de la caja de salida. (Figura 22)

Paso 2. Instale la placa de metal y la placa de pared CoolTouch™ en la caja de salida existente en la pared con los 4 tornillos provistos. Introduzca los dos tapones de plástico en la placa de pared. (Figura 23)

Opción 2: Instale la placa de pared en CUALQUIER superficie plana.

Paso 1. Seleccione la ubicación deseada y use la placa de pared CoolTouch™ para marcar la ubicación de los orificios de montaje.

Paso 2. Utilice los anclajes para paneles de yeso y los tornillos proporcionados para terminar la instalación.

INSTALACIÓN DEL TRANSMISOR

Paso 1. Inserte el transmisor en la placa de pared insertando primero la parte inferior del transmisor y luego presionando la parte superior del transmisor en el bolsillo. El transmisor funcionará completamente desde este lugar o puede retirarlo y usarlo como dispositivo portátil. (Figura 24)

Paso 2. Para quitar el transmisor de la placa de pared, presione el botón de liberación y el transmisor le caerá en la mano.

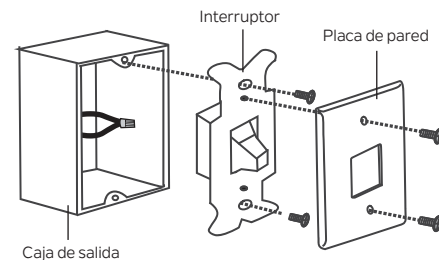


Figura 22

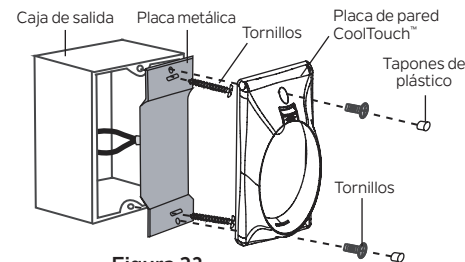


Figura 23

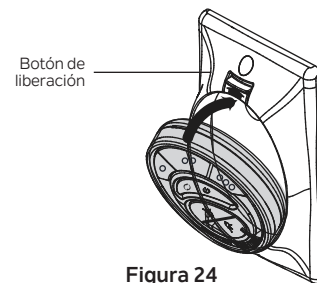


Figura 24

INSTRUCCIONES DE FUNCIONAMIENTO

INSTALACIÓN DE LAS BATERÍAS DEL TRANSMISOR (Figura 25)

Paso 1. Retire el tornillo de seguridad y la cubierta de la parte posterior del transmisor.
(Figura 25) Instale dos baterías CR2032 de 3 V (incluidas) con el lado + orientado hacia arriba.

NOTA: Si las baterías no se usan durante períodos prolongados (varios meses), retírelas para evitar daños en el transmisor.

Paso 2. Vuelva a colocar la cubierta posterior del transmisor y el tornillo de seguridad.

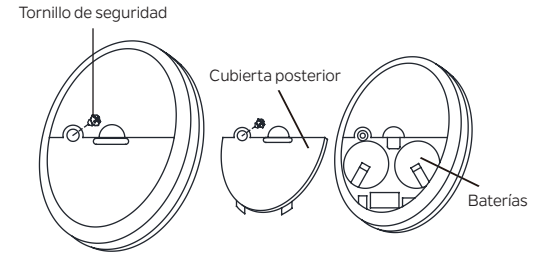


Figura 25



ADVERTENCIA: Peligro de quemaduras químicas. Mantenga las baterías fuera del alcance de los niños. Este producto contiene una batería de botón/moneda de litio. Si se ingiere o entra en el cuerpo una batería de botón o de botón de litio nueva o usada, puede causar quemaduras internas graves y provocar la muerte en tan solo 2 horas. Siempre asegure completamente el compartimiento de la batería. Si el compartimiento y las baterías no cierran bien, deje de utilizar el producto, retire las baterías y manténgalo fuera del alcance de los niños. Si cree que las baterías pueden haber sido ingeridas o introducidas en cualquier parte del cuerpo, busque atención médica de inmediato.

- a) Las celdas se desecharán adecuadamente, incluso manteniéndolas fuera del alcance de los niños.
- b) Incluso las celdas usadas pueden causar lesiones.

INSTRUCCIONES DE OPERACIÓN (continuación)

INTERRUPTOR DE SELECCIÓN DE LA FUNCIÓN DE LUZ (Figura 26)

D = "Atenuación"

O = "Solo encendido/apagado, sin atenuación"

NOTA: El kit de luz LED incluido con este ventilador se puede atenuar, por lo que el interruptor se ha configurado de fábrica en "D".

NOTA: Si se instala el kit de luz LED atenuable incluido en este ventilador, el interruptor siempre debe fijarse en "D".

NOTA: La configuración de encendido/apagado solamente está diseñada para usarse con kits/lámparas de luz LED no atenuables y kits de luz que tienen lámparas fluorescentes.

ADVERTENCIA: Si el interruptor "D/O" no está configurado correctamente, el sistema de control de iluminación funcionará erráticamente y podría dañar su ventilador de techo.

EMPAREJAMIENTO DEL TRANSMISOR CON EL VENTILADOR (Figura 26)

NOTA: El transmisor se emparejó con el receptor del ventilador en la fábrica. No es necesario cambiar la frecuencia. Si el ventilador no funciona o si desea instalar un ventilador adicional con un código de frecuencia separado, siga los pasos a continuación para emparejar un transmisor con un receptor.

ADVERTENCIA: Asegúrese de que la energía esté completamente desconectada antes de comenzar este proceso.

IMPORTANTE: El motor del ventilador y las aspas del ventilador se DEBEN instalar antes de que pueda comenzar el procedimiento de emparejamiento.

Paso 1. Retire el tornillo de seguridad y la cubierta de la batería de la parte posterior del transmisor. Conserve el tornillo de seguridad.

Paso 2. Después de instalar las baterías del transmisor, encienda la alimentación de CA del ventilador en el disyuntor o la caja de fusibles y durante los próximos 30 segundos mantenga presionado el botón APRENDIZAJE en la parte posterior del transmisor (**Figura 26**) durante 3 segundos. El ventilador se encenderá a velocidad media y el kit de luz (si está instalada) se encenderá. Esto confirma que el proceso de emparejamiento ha terminado.

NOTA: Si no presiona el botón APRENDER durante los próximos 30 segundos, apague la alimentación de CA del ventilador en el disyuntor o la caja de fusibles (esto restablecerá la unidad) y repita el **paso 2**.

Paso 3. Pruebe diferentes configuraciones de velocidad en el transmisor para asegurarse de que el ventilador funciona por completo. Si la programación no tiene éxito, apague la alimentación de CA del ventilador en el disyuntor o la caja de fusibles (esto restablecerá la unidad) y repita el **paso 2**.

Paso 4. Vuelva a instalar la cubierta de la batería y el tornillo de seguridad en la parte posterior del transmisor.

NOTA: Conserve esta página en caso de que se necesite una reprogramación futura o se agregue un control remoto adicional.

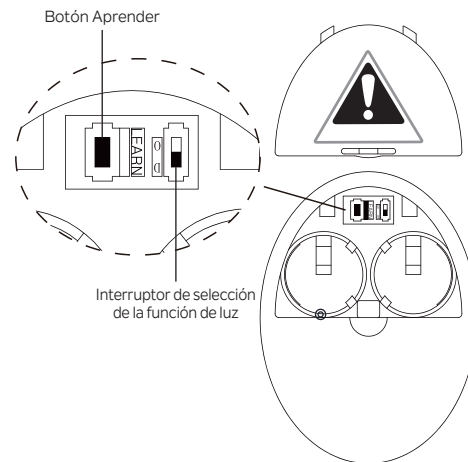


Figura 26

INSTRUCCIONES DE OPERACIÓN (continuación)

FUNCIONAMIENTO DEL TRANSMISOR (Figura 27)



Botón APAGAR

Presiónelo una vez para detener el ventilador.



Botón de alta velocidad

Presione una vez para encender el ventilador en alta velocidad.



Botón de velocidad media

Presione una vez para encender el ventilador en velocidad media.



Botón de baja velocidad

Presione una vez para encender el ventilador en baja velocidad.



Botones de luz

Presione una vez para encender o apagar la luz.

ATENUACIÓN: Manténgalo presionado para atenuar o intensificar la luz al nivel deseado y luego suéltelo.



Botón de retroceso

Mientras el ventilador está funcionando, presione el botón de reversa una vez y el ventilador invertirá la dirección de giro.

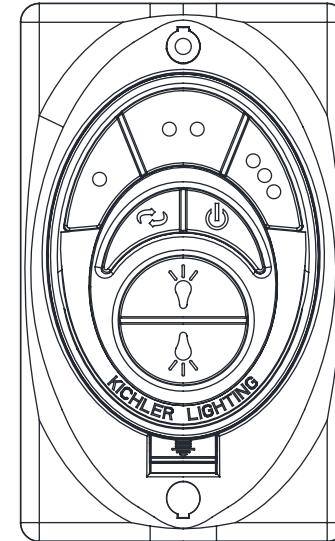


Figura 27

INSTRUCCIONES DE OPERACIÓN (continuación)

Para operar la función de reversa de este ventilador, presione el botón “Reversa” en el transmisor mientras el ventilador está funcionando.

Operación en clima cálido: “Avance” (el ventilador gira en sentido contrario a las manecillas del reloj)

Un flujo de aire descendente crea un efecto de enfriamiento como se muestra en la **Figura 28**. Esto le permite configurar su aire acondicionado en una temperatura más alta sin afectar su comodidad general.

Operación en clima frío: “Reversa” (el ventilador gira en el sentido de las manecillas del reloj). Un flujo de aire ascendente remueve el aire caliente de las zonas del techo como se muestra en la **Figura 29**. Esto le permite configurar su unidad de calefacción en una temperatura más baja sin afectar su comodidad general.

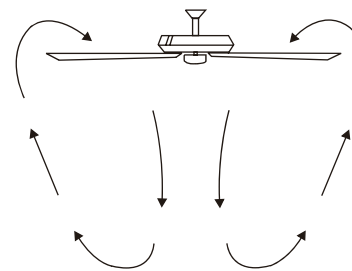


Figura 28

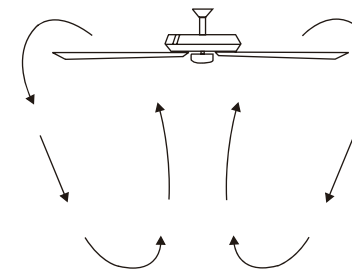


Figura 29

RESOLUCIÓN DE PROBLEMAS

Problema

Solución

El ventilador no arranca.

1. Verifique los fusibles o disyuntores del circuito.
2. Asegúrese de que las baterías del transmisor estén instaladas correctamente con el lado + hacia arriba y que todavía tengan carga. **NOTA:** Al presionar un botón en el transmisor, la luz de fondo del transmisor se encenderá si las baterías aún tienen carga.
3. Verifique todas las conexiones eléctricas para asegurar un contacto adecuado. **PRECAUCIÓN: Asegúrese de que la alimentación principal esté apagada cuando verifique cualquier conexión eléctrica.**

El ventilador suena ruidoso.

1. Asegúrese de que todos los tornillos de la carcasa del motor estén ajustados.
2. Asegúrese de que los tornillos que sujetan los soportes de las aspas del ventilador al motor estén apretados.
3. Asegúrese de que las conexiones de tuercas para cables no se froten entre sí ni con la pared interior de la caja del interruptor. **PRECAUCIÓN: Asegúrese de que la energía principal esté apagada.**
4. Permita un período de “rodaje” de 24 horas. La mayor parte del ruido asociado con un ventilador nuevo desaparecerá durante este tiempo.
5. Si usa un kit de luz opcional, asegúrese de que los tornillos que sujetan la pantalla de cristal estén bien apretados. Asegúrese de que las bombillas no toquen ningún otro componente.
6. No conecte este ventilador a controles de velocidad variable montados en la pared. No son compatibles con motores de ventiladores de techo o controles remotos.
7. Asegúrese de que el florón superior esté a poca distancia del techo. No debe tocar el techo.

RESOLUCIÓN DE PROBLEMAS (continuación)

Problema	Solución
El ventilador presenta oscilación.	<ol style="list-style-type: none">1. Verifique que todas las aspas y los tornillos de los brazos de las aspas estén firmes.2. La mayoría de los problemas de oscilación del ventilador se deben a que los niveles de las aspas no son iguales. Compruebe este nivel seleccionando un punto en el techo por encima de la punta de una de las aspas. Mida esta distancia. Gire el ventilador hasta que se coloque la siguiente aspa para medirla. Repita la operación para cada aspa. La desviación de las distancias debe ser igual con una tolerancia de 3 mm (1/8 in).3. Si aún se nota oscilación de las aspas, intercambiar dos aspas adyacentes (una al lado de la otra) puede redistribuir el peso y posiblemente produzca un funcionamiento más fluido.
Mal funcionamiento del control remoto.	<ol style="list-style-type: none">1. Los ventiladores de techo con sistemas de control remoto NO PUEDEN funcionar junto con ningún otro sistema de control, EXCEPTO un interruptor de pared de encendido/apagado básico si se desea.2. Asegúrese de que el cable de la antena negra del receptor NO esté enredado con cualquier otro cable eléctrico y que se extienda alrededor del interior del florón del techo. PRECAUCIÓN: Asegúrese de que la energía principal esté apagada.

ADVERTENCIA: PARA REDUCIR EL RIESGO DE LESIONES PERSONALES Y PARA ASEGURAR EL FUNCIONAMIENTO ADECUADO DE SU VENTILADOR DE TECHO, NUNCA CONECTE LOS CONJUNTOS DE LAS ASPAS HASTA QUE EL VENTILADOR DE TECHO SE HAYA MONTADO EN EL TECHO. NO DOBLE LAS ASPAS MIENTRAS INSTALA, BALANCEA O LIMPIA EL VENTILADOR. NO INTRODUZCA OBJETOS EXTRAÑOS ENTRE LAS ASPAS DEL VENTILADOR QUE ESTÁN GIRANDO.

INFORMACIÓN DE LA FCC

Este dispositivo cumple con la parte 15 de las normas de la Comisión Federal de Comunicaciones (Federal Communications Commission, FCC). El funcionamiento está sujeto a las siguientes dos condiciones:

- 1) este dispositivo no puede causar interferencias perjudiciales, y
- 2) este dispositivo debe aceptar cualquier interferencia recibida, incluidas interferencias que puedan causar un funcionamiento no deseado.

Nota: Este equipo ha sido probado y cumple con los límites para un dispositivo digital de Clase B, de acuerdo con la parte 15 de las normas de la FCC. Estos límites están diseñados para proporcionar una protección razonable contra interferencias perjudiciales en una instalación residencial. Este equipo genera, usa y puede irradiar energía de radiofrecuencia y, si no se instala y usa de acuerdo con las instrucciones, puede causar interferencia dañina a las comunicaciones por radio. Sin embargo, no hay garantía de que no se produzcan interferencias en una instalación en particular. Si este equipo causa interferencia dañina en la recepción de radio o televisión, lo cual se puede determinar encendiendo y apagando el equipo, se recomienda al usuario que intente corregir la interferencia mediante una o más de las siguientes medidas:

- Reorientar o reubicar la antena receptora.
- Aumentar la separación entre el equipo y el receptor.
- Conectar el equipo a una toma de corriente en un circuito diferente al que está conectado el receptor.
- Consulte con el distribuidor o con un técnico de radio/TV experimentado para obtener ayuda.

KICHLER®

www.kichler.com

KICHLER LIGHTING LLC
30455 SOLON RD.
SOLON, OH 44139, EE. UU.

SERVICIO AL CLIENTE 866.558.5706
8:00 A. M. A 5:00 P. M. EST, DE LUNES A VIERNES

REV. 27-NOV-2023

© Kichler Lighting LLC. Todos los derechos reservados.