

4D Series LED Accent Disc



PROJECT:

TYPE:

ORDERING:

COMMENTS:

Kichler's 12V LED Accent Discs are designed to install inside cabinets that are at least 12"W x 12"H x 12"D. These small but mighty fixtures provide vivid illumination to dinnerware and display pieces within glass-paneled cabinetry or small architectural niches.

SPECIFICATIONS

Power Ratings

| | |
|---------------------|--------|
| Input Voltage Range | 12V DC |
| Wattage | 4W |
| Current | 0.33A |

Lumen Information

| | |
|-------------------------------|---------------------------------------|
| Lumens | 190 Lm |
| CRI | 90+ |
| CCT | 2700K, 3000K |
| Lumen Maintenance (Per TM-21) | L70 @ >54,000 Hrs L90 @ 36,000 Hrs |

Environmental

| | |
|---------------------------------|------------------------|
| Location | Indoor |
| Environmental Protection Rating | Dry and Damp Locations |
| Operation Ambient Temperature | -25°C - +40°C |
| Storage Temperature | -40°C - +80°C |

Max Wire Run Lengths

| | |
|--------|---------|
| 24 AWG | 40 ft. |
| 18 AWG | 170 ft. |

Mechanical & Housing Specification

| | |
|------------------|--|
| Diameter | 2.7" / 68 mm |
| Height | .60" / 15 mm |
| Housing Material | Aluminum |
| Finish | BKT – Textured Black BZT – Textured Bronze NIT – Textured Nickel WHT – Textured White |
| Weight | 0.2 lbs. |

Approval Markings

Certificates / Approval signs ETL Listed under UL 2108

Safety Warnings

- This product is intended to be installed and serviced by a qualified, licensed electrician and it must be installed in accordance with the National Electric Code, and all other Federal and local laws and regulations
- Only install compatible LED fixtures & controls. Only use copper wiring.
- Requires enclosed cabinets to be at least 12"W x 12"H x 12"D.

Limited Warranty

Subject to Kichler's General Warranty and Limitations, Kichler provides a warranty of three (3) years on the LED Light Engines and electrical components in residential applications, one (1) year in commercial applications. Complete warranty details for fixtures and additional accessories are available at www.KICHLER.com/ warranty. For warranty related questions, please contact customer service.

4D Series LED Accent Disc

Features

- Low profile
- Dimmable
- Frosted lens
- Textured powder coat finish
- ETL Listed (Class 2, U.S. and Canada)
- Mount to surface or recessed



4D12V27WHT, 4D12V30WHT
Textured White



4D12V27BZT, 4D12V30BZT
Textured Bronze



4D12V27BKT, 4D12V30BKT
Textured Black



4D12V27NIT, 4D12V30NIT
Textured Nickel

ORDERING MATRIX (Model # + CCT + Finish Code)

| | Model # | CCT | Finish |
|--------------------------|--------------------------------|--|--|
| Product Number Breakdown | 4D12V = 12V Accent Disc | 30 = 3000K 27 = 2700K | BKT = Textured Black WHT = Textured White BZT = Textured Bronze NIT = Textured Nickel |

Example: 4D12V30NIT = 12V Accent Disc, 3000K, Textured Nickel Finish

ACCESSORIES TO BUILD A SYSTEM



LED Driver + Dimmer Switch

4DD12V040WH

4DD12V060WH

- Integrated Driver + Dimmer Switch in one
- 120V AC input, 12V 40W or 60W DC output



Cord

10193 BK

- 8' cord and plug accessory for use with 4TD12V60BKT



LED Power Supply 60W

4TD12V60 BKT

- Direct wire dimmable
- Class 2, 12V DC
- No NEMA Accessory Enclosure required



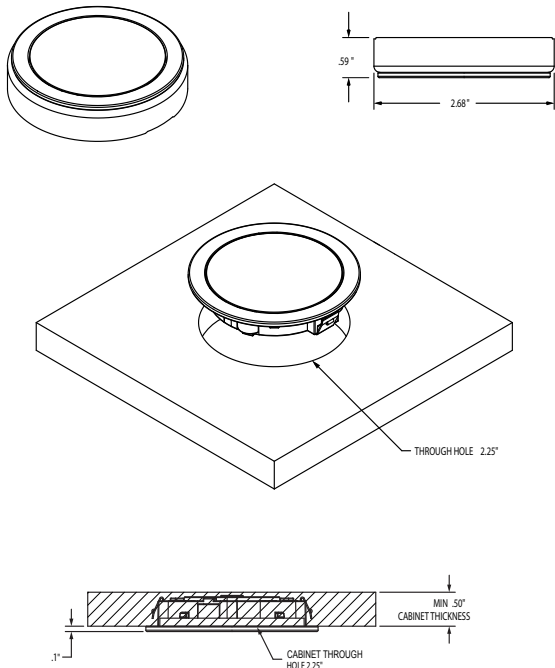
Splice Box

10189 BK, WH

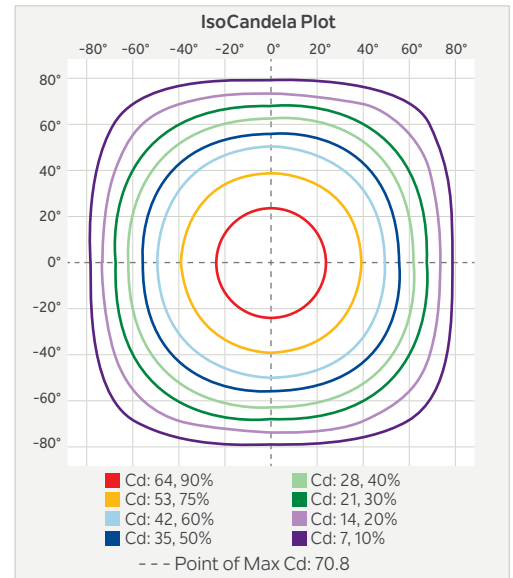
- Accepts max. 14 AWG wire
- (4) 3/8" size knock out
- Intended for low voltage connections only
- 2.375" L x 2.375" W x 1" H

4D Series LED Accent Disc

DIMENSIONS



PHOTOMETRIC DIAGRAMS



4D12Vxxxxx shown (190 Lumens)

MECHANICAL

The 4D LED disc light may be installed either as a surface mounted light source with the included mounting ring or recessed mounted for a low profile aesthetic.

INSTALLATION TIP

The ideal way to maximize your power supply on an accent disc installation is to combine with Kichler 12V LED tape (4TL Series). For layout assistance or technical support visit kichler.com/APS

