

INSTRUCTIONS PERTAINING TO A RISK OF FIRE, OR INJURY TO PERSONS IMPORTANT SAFETY INSTRUCTIONS

Lighted lamp is HOT!

WARNING — To reduce the risk of FIRE OR INJURY TO PERSONS.

- 1) Turn off / unplug and allow to cool before replacing lamp.
- 2) Lamp gets HOT quickly!
- 3) Do not touch hot lens or cowl.
- 4) Do not touch lamp or fixture if warm.
- 5) Do not look directly at lamp when on.
- 6) Keep lamp away from combustible materials.
- 7) Use only with wattage and lamp marked on fixture.
- 8) Do not touch the inner glass envelope of the lamp at any time. Use a soft cloth. Oil from skin may damage lamp.
- 9) Do not operate the fixture with a damaged or missing lens.

SAFETY INSTRUCTIONS

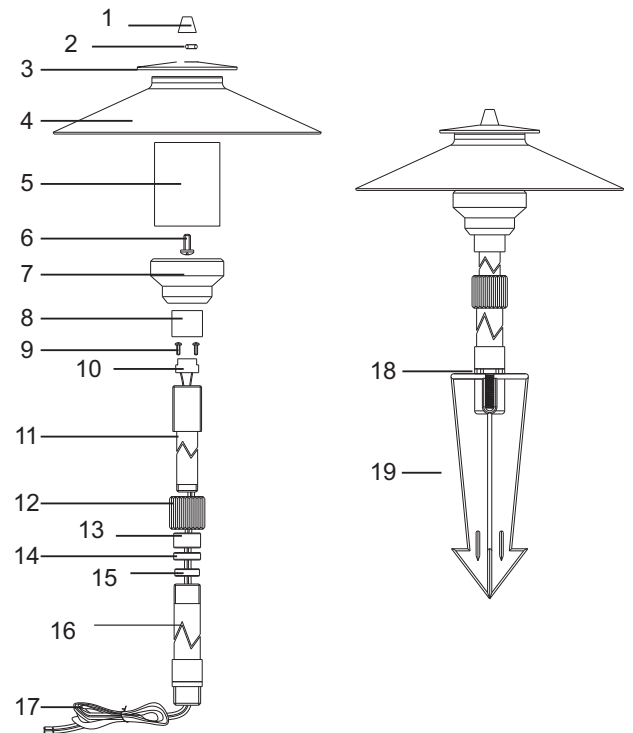
READ THIS FIRST

KEEP THESE INSTRUCTIONS

This fixture is intended for installation in accordance with the National Electric Code (NEC) and Local code specifications. Failure to adhere to these codes and instructions may result in serious injury and/or property damage and will void the warranty.

- 1) **WARNING:** This fixture is not to be installed within 10 feet (3M) of a pool, spa or fountain.
- 2) This fixture is to be used only with a power unit (transformer) rated a maximum of 300 W (25 AMPS) 15 volts per circuit.
- 3) The #18 ga. fixture wire is not intended for direct burial or connected to transformer.
- 4) Direct burial rated wire is to be buried a minimum of 6" (152mm) beneath the surface of the ground. **NOTE:** If additional Direct Burial wire is needed, contact your local Kichler® landscape distributor.
 - 8 GA wire can be purchased in length of 250' (76 M), 15503-BK.
 - 10 GA wire can be purchased in length of 250' (76 M), 15504-BK.
 - 12 GA wire can be purchased in lengths of 100' (30 M), 15501-BK; 250' (76 M), 15502-BK; 500' (152M), 15505-BK; and 1000' (304 M), 15506-BK.
- 5) Fixture shall not use a tungsten halogen lamp unless the fixture is marked for use with such lamps.
- 6) Wiring connections must be made with approved/listed wire connection device(s) suitable for the application. Do not exceed manufacturers' wiring combination specifications for size and quantity of conductors.

FIXTURE DETAILS:



1. Nipple 2. O-Ring 3. Upper Shade 4. Lower Shade 5. Lens 6. Screw 7. Coupling 8. Bushing 9. Socket Screw 10. Socket 11. Inner Stem 12. Locking Ring 13. Gasket 14. Secure Ring A 15. Secure Ring B 16. Outer Stem 17. Cable 18. Lock Nut 19. Spike

CAUTION

WHEN INSTALLING KICHLER LANDSCAPE LIGHTING (LINE VOLTAGE OR LOW VOLTAGE), CARE SHOULD BE TAKEN TO KEEP CLEAR OF POTENTIALLY COMBUSTIBLE MATERIALS.

WHEN MAINTAINING THE FIXTURES, BE SURE TO REMOVE LEAVES, PINE NEEDLES, GRASS CLIPPINGS, MULCH, OR ANY DEBRIS THAT HAS ACCUMULATED ON THE LIGHT BULB, LENS, OR BODY OF THE FIXTURE.

ASSEMBLY AND INSTALLATION

1. **TURN OFF POWER**
2. Determine desired location, hammer the spike into ground using a rubber mallet. If ground is hard, make a crosscut in the ground using a flat shovel.
3. Clear away area in ground at wireway slot in top of spike.
4. Adjust height of fixture by loosening the locking ring, then tightening the locking ring when a desired height is set.
5. Lay 12V cable into wireway slot and screw fixture into spike.
6. Expose the socket by loosening the COUPLING from stem. Install the G4 / T3 lamp into socket.
7. Re-install COUPLING back to stem.
8. Make connection using approved wire nuts (not supplied)