

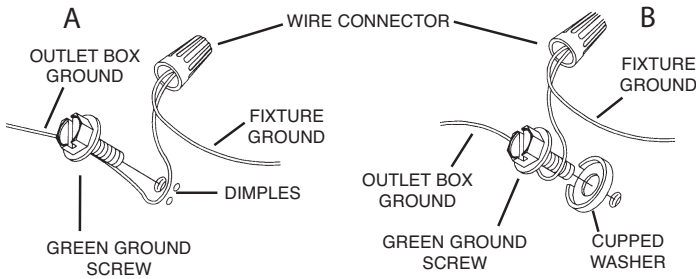
**CAUTION – RISK OF SHOCK –**

Disconnect Power at the main circuit breaker panel or main fuse box before starting and during the installation.

**CHAIN HUNG MOUNT**

- 1) Pass fixture wire thru center stem. Thread center stem onto threaded pipe on top of fixture and tighten to secure.
- 2) Attach one end of chain to loop on top of fixture body. Attach other end of chain to small loop on canopy. Close chain link ends together using chain pliers or padded pliers to prevent damage to finish.
- 3) Weave fixture wires and ground wire through chain links no more than 3 inches apart.
- 4) Pass fixture wires through hole in small loop on canopy and through hole in canopy.
- 5) Find the appropriate threaded holes on mounting strap. Assemble mounting screws into threaded holes.
- 6) Attach mounting strap to outlet box. Mounting strap can be adjusted to suit position of fixture.
- 7) Grounding instructions: (See Illus. A or B)
  - A) On fixtures where mounting strap is provided with a hole and two raise dimples. Wrap ground wire from outlet box around green ground screw, and thread into hole.
  - B) On fixtures where a cupped washer is provided. Put ground wire from outlet box under cupped washer and green ground screw and thread screw into hole in mounting strap.

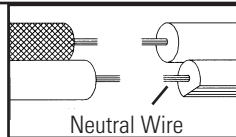
If fixture is provided with ground wire. Connect fixture ground wire to outlet box ground wire with wire connector, after following the above steps. Never connect ground wire to black or white power supply wires.



- 8) Make wire connections. Reference chart below for correct connections and wire accordingly.

Connect Black or Red Supply Wire to:	Connect White Supply Wire to:
Black	White
*Parallel cord (round & smooth)	*Parallel cord (square & ridged)
Clear, Brown, Gold or Black without tracer	Clear, Brown, Gold or Black with tracer
Insulated wire (other than green) with copper conductor	Insulated wire (other than green) with silver conductor

\*Note: When parallel wires (SPT I & SPT II) are used. The neutral wire is square shaped or ridged and the other wire will be round in shape or smooth (see illus.)



- 9) Push fixture to ceiling, carefully passing mounting screws through holes in canopy. Make sure all wires are inside canopy and do not get pinched between canopy and ceiling.
- 10) Pass lockwashers and thread lockup knobs onto mounting screws and tighten to secure fixture to ceiling.
- 11) Lower glass onto fixture passing hole in glass over socket. Thread glass retaining ring onto end of socket. Tighten retaining ring to secure glass. (DO NOT over tighten.)
- 12) Insert recommended bulbs.

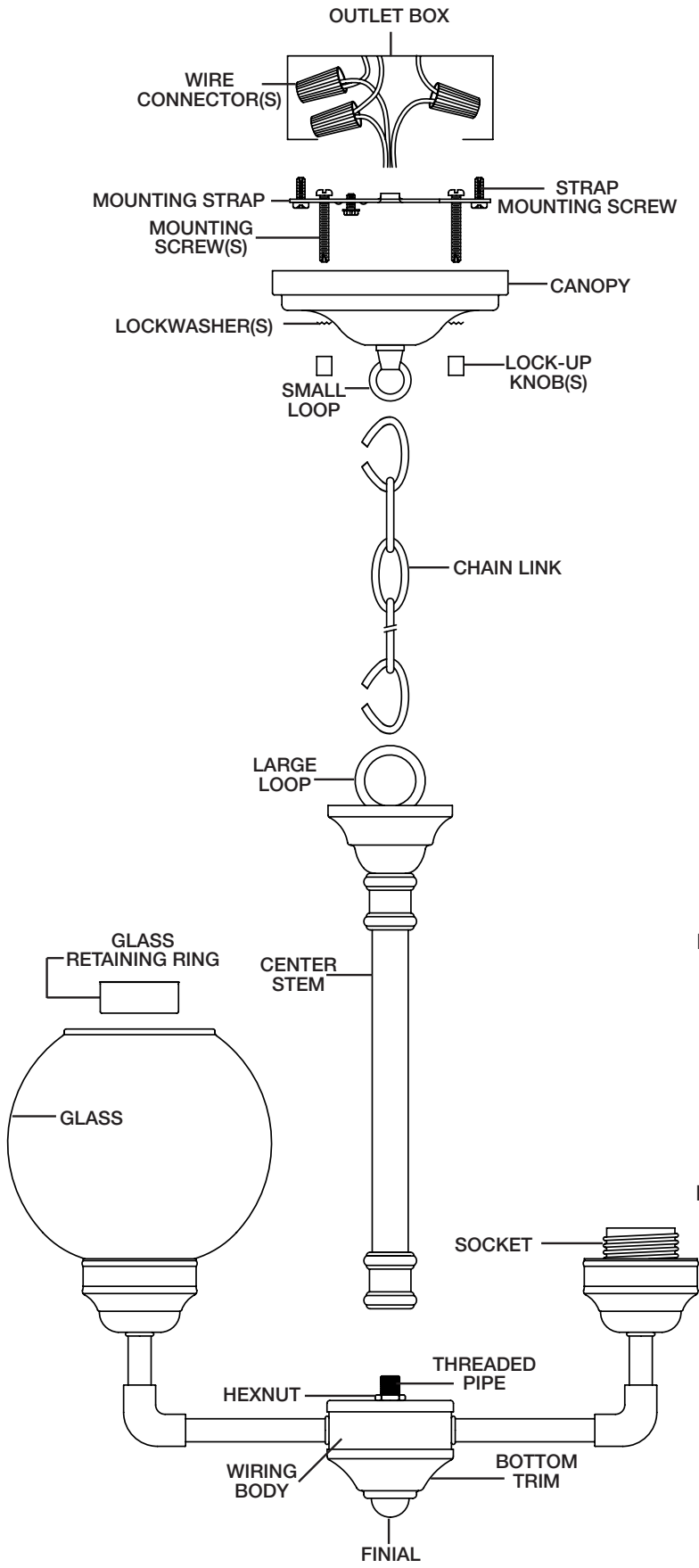
**SEMI-FLUSH MOUNT**

- 1) Remove loop from top of center stem. Remove coupling (including small threaded pipe on top), lockwasher, and trim. Leave small threaded pipe on end of center stem.
- 2) Remove hexnut, lockwasher, and loop from canopy.
- 3) Pass fixture wire thru center stem. Using thread locking compound, screw center stem onto small threaded pipe on top of fixture and tighten to secure.
- 4) Pass fixture wire thru hole in canopy. Pass canopy over small threaded pipe. Pass wire thru lockwasher and slip lockwasher over threaded pipe. Pass wire thru hexnut. Thread hexnut onto threaded pipe. Tighten to secure.
- 5) Continue with steps 5 - 13 in Chain Hung Mounting instructions.

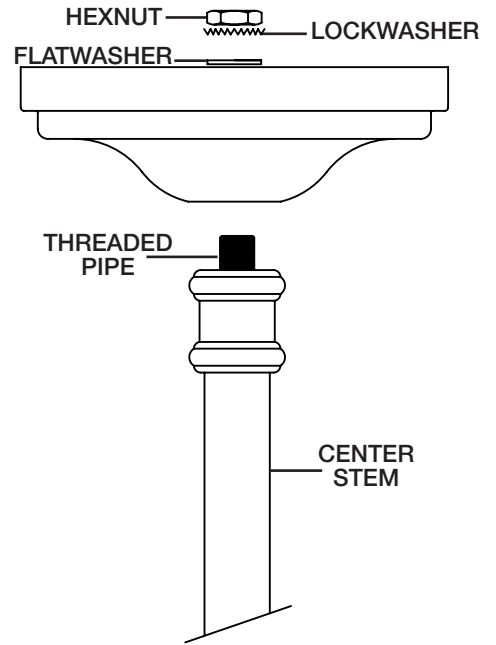
**DOWNLIGHT**

- 1) Remove finial and bottom trim.
- 2) Loosen hexnut and remove with long threaded pipe.
- 3) Remove wire nuts, noting the fixture wire set coming into wiring body and the socket wires. Carefully pull fixture wires thru hickey and out of top trim.
- 4) Remove hickey. Remove top trim from wiring body with small threaded pipe. Keep small threaded pipe in top trim with hexnut on outside. While holding hexnut, thread hickey on opposite side inside top trim. Tighten to secure.
- 5) Flip wiring body over with lights facing downward. Lower top trim with hickey facing open side of wiring body. Pass fixture wires thru small threaded pipe and thru cutout in hickey. Make wire connections accordingly as noted from step #3.
- 6) Pass wiring body over threaded pipe. Pass lockwasher over pipe and thread hexnut onto pipe. Tighten to secure.
- 7) Reinstall long threaded pipe with hexnut into bottom side of hickey. Hexnut should be low enough to allow threaded pipe into hickey until top of pipe reaches cutout in hickey. Thread hexnut up to hickey and tighten to secure. Pass lower trim onto long threaded pipe. Thread finial onto pipe and tighten to secure.
- 8) Continue with steps 1-13 from Chain Hung or steps 1-5 from Semi-Flush instructions.

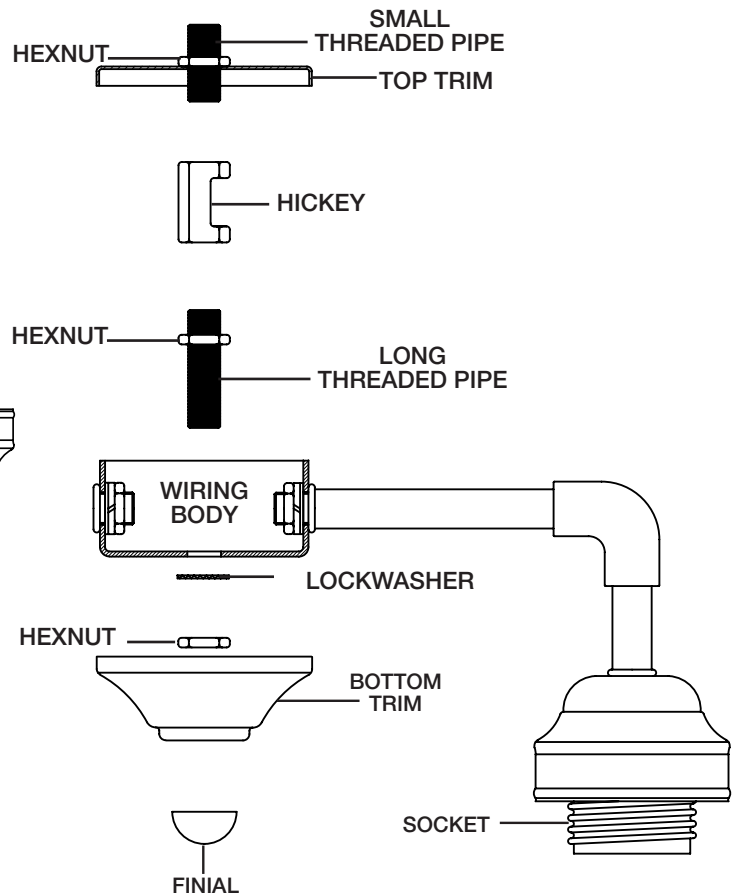
**CHAIN HUNG MOUNT**



**SEMI-FLUSH MOUNT**



**OPTIONAL DOWNLIGHT**



**STEPS FOR CHANGING TO DOWNLIGHT**

