

INSTRUCTIONS PERTAINING TO A RISK OF FIRE, OR INJURY TO PERSONS IMPORTANT SAFETY INSTRUCTIONS

Lighted lamp is HOT!

WARNING — To reduce the risk of FIRE OR INJURY TO PERSONS.

- 1) Turn off / unplug and allow to cool before replacing lamp.
- 2) Lamp gets HOT quickly!
- 3) Do not touch hot lens or cowl.
- 4) Do not touch lamp or fixture if warm.
- 5) Do not look directly at lamp when on.
- 6) Keep lamp away from combustible materials.
- 7) Use only with wattage and lamp marked on fixture.
- 8) Do not touch the inner glass envelope of the lamp at any time. Use a soft cloth. Oil from skin may damage lamp.
- 9) Do not operate the fixture with a damaged or missing lens.

SAFETY INSTRUCTIONS READ THIS FIRST KEEP THESE INSTRUCTIONS

This fixture is intended for installation in accordance with the National Electric Code (NEC) and Local code specifications. Failure to adhere to these codes and instructions may result in serious injury and/or property damage and will void the warranty.

- 1) **WARNING:** This fixture is not to be installed within 10 feet (3M) of a pool, spa or fountain.
- 2) This fixture is to be used only with a power unit (transformer) rated a maximum of 300 W (25 AMPS) 15 volts per circuit.
- 3) The #18 ga. fixture wire is not intended for direct burial or connected to transformer.
- 4) Direct burial rated wire is to be buried a minimum of 6" (152mm) beneath the surface of the ground. **NOTE:** If additional Direct Burial wire is needed, contact your local Kichler® landscape distributor.
 - 8 GA wire can be purchased in length of 250' (76 M), 15503-BK.
 - 10 GA wire can be purchased in length of 250' (76 M), 15504-BK.
 - 12 GA wire can be purchased in lengths of 100' (30 M), 15501-BK; 250' (76 M), 15502-BK; 500' (152M), 15505-BK; and 1000' (304 M), 15506-BK.
- 5) Fixture shall not use a tungsten halogen lamp unless the fixture is marked for use with such lamps.
- 6) Wiring connections must be made with approved/listed wire connection device(s) suitable for the application. Do not exceed manufacturers' wiring combination specifications for size and quantity of conductors.

CAUTION

WHEN INSTALLING KICHLER LANDSCAPE LIGHTING (LINE VOLTAGE OR LOW VOLTAGE), CARE SHOULD BE TAKEN TO KEEP CLEAR OF POTENTIALLY COMBUSTIBLE MATERIALS.

WHEN MAINTAINING THE FIXTURES, BE SURE TO REMOVE LEAVES, PINE NEEDLES, GRASS CLIPPINGS, MULCH, OR ANY DEBRIS THAT HAS ACCUMULATED ON THE LIGHT BULB, LENS, OR BODY OF THE FIXTURE.

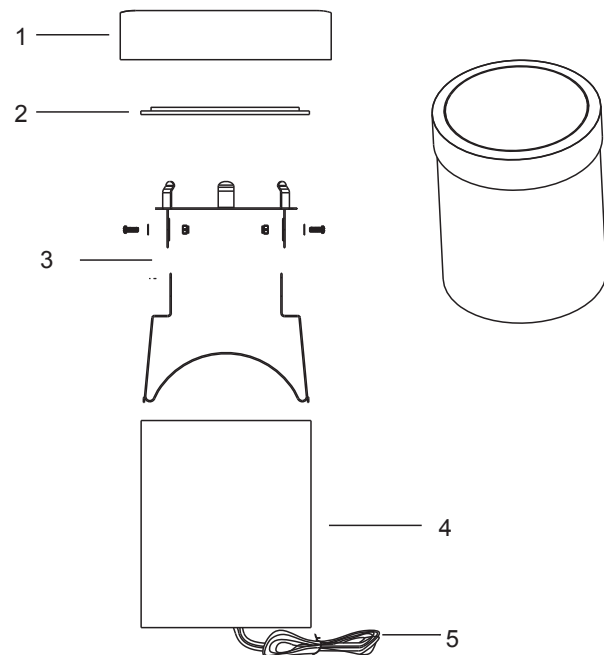
ASSEMBLY AND INSTALLATION

1. **TURN OFF POWER**
2. Determine desired location to install fixture. Check area for obstructions such as sprinklers, plant material, etc. Assess soil conditions.
3. Dig a hole approximately 12" deep by 3" wider than the well light. This allows approximately 3" of pea gravel or sand to surround ABS housing.
 - a. For Concrete installations, use 61/4 inch core drill at least 10 inches deep.
4. Pull LAMP HOLDER from fixture and install lamp into part.
5. With a screwdriver, loosen the terminal screws and add wire to bottom of lamp.
6. Return LAMP HOLDER into fixture, with wires hanging out from under the fixture.
7. Install fixture in hole and fill hole after installation with pea gravel or sand.
8. Strip the two leads from fixture. Using wire connectors (not included), connect the leads from the luminaire to the main supply cable leads.
9. Provide power to luminaire to check proper operation.

PAR 36 WELL BRASS TRIM

MODEL # 15507CBR

FIXTURE DETAILS:



1. Guard
2. Lens
3. Gimble / Lamp Holder
4. Sleeve
5. Cable