

KICHLER®

52" Lija™

Product images may vary slightly from actual product.



INSTRUCTION MANUAL

TABLE OF CONTENTS

SAFETY RULES	4	ATTACHING THE FAN BLADES.....	14
TOOLS REQUIRED.....	5	INSTALLING THE MOUNTING PLATE.....	14
PACKAGE CONTENTS	5	INSTALLING THE LIGHT FIXTURE.....	15
MOUNTING OPTIONS.....	6	OPERATING INSTRUCTIONS.....	16-17
HANGING THE FAN.....	7-9	INSTALLING THE REMOTE CONTROL HOLDER.....	18
INSTALLATION OF SAFETY SUPPORT	10	TROUBLESHOOTING.....	19-20
ELECTRICAL CONNECTIONS	11-12	FCC INFORMATION	21
FINISHING THE INSTALLATION.....	13		

SAFETY RULES

1. To reduce the risk of electric shock, ensure electricity has been turned off at the circuit breaker or fuse box before beginning.
2. All wiring must be in accordance with the National Electrical Code and local electrical codes. Electrical installation should be performed by a qualified licensed electrician.
3. **WARNING:** To reduce the risk of fire, electric shock, or personal injury, use mounting screws provided with the outlet box. Most outlet boxes commonly used for the support of light fixtures are not acceptable for fan support and may need to be replaced. Due to the complexity of the installation of this fan, a qualified licensed electrician is strongly recommended.
4. The outlet box and support structure must be securely mounted and capable of reliably supporting a minimum of 50 pounds. Use only CUL Listed outlet boxes marked "FOR FAN SUPPORT".
5. The fan must be mounted with a minimum of 7 feet clearance from the trailing edge of the blades to the floor.
6. Do not operate reversing switch while fan blades are in motion. Fan must be turned off and blades stopped before reversing blade direction.
7. Avoid placing objects in the path of the blades.
8. To avoid personal injury or damage to the fan and other items, be cautious when working around or cleaning the fan.
9. Do not use water or detergents when cleaning the fan or fan blades. A dry dust cloth or lightly dampened cloth will be suitable for most cleaning.
10. After making the electrical connections, spliced conductors should be turned upward and pushed carefully up into outlet box. The wires should be spread apart with the ground wire and white (common) wire to one side with the black (load) wire to the other side of the outlet box.
11. Electrical diagrams are reference only. Light kits that are not packed with the fan must be CUL Listed and marked suitable for use with the model fan you are installing. Switches must be CUL General Use Switches. Refer to the Instructions packaged with the light kits and switches for proper assembly.

WARNING

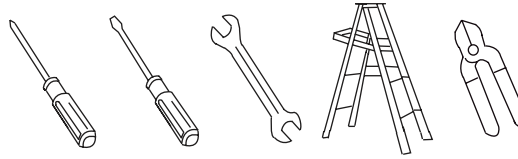
TO REDUCE THE RISK OF FIRE, ELECTRIC SHOCK OR PERSONAL INJURY, MOUNT FAN TO OUTLET BOX MARKED "ACCEPTABLE FOR FAN SUPPORT".

WARNING

TO REDUCE THE RISK OF PERSONAL INJURY, DO NOT BEND THE BLADE BRACKETS (ALSO REFERRED TO AS FLANGES) DURING ASSEMBLY OR AFTER INSTALLATION. DO NOT INSERT OBJECTS IN THE PATH OF THE BLADES.

TOOLS AND MATERIALS REQUIRED

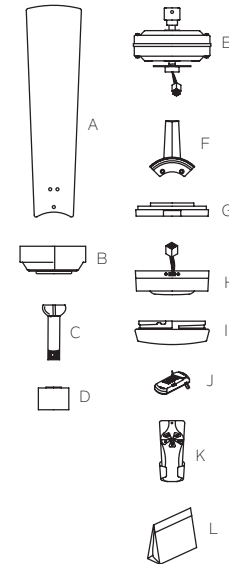
- Phillips screwdriver
- Blade screwdriver
- 11 mm wrench
- Step ladder
- Wire cutters



PACKAGE CONTENTS

Unpack your fan and check the contents . You should have the following items:

- | | |
|--|--|
| A. Fan blades (4) | J. Receiver |
| B. Canopy and ceiling mounting bracket | K. Transmitter and holder with mounting screws |
| C. Ball/downrod assembly | L. Part bag contents |
| D. Coupling cover | 1) Mounting hardware: wire nuts (3) |
| E. Fan motor assembly | 2) Blade attachment hardware: screws (12), fiber washers (12) |
| F. Set of 4 blade brackets and pre-installed mounting screws | 3) Safety cable hardware: wood screw, spring washer, flat washer |
| G. Mounting plate | |
| H. LED light fixture | |
| I. Glass shade | |



MOUNTING OPTIONS

If there isn't an existing UL (cUL for Canadian Installation) listed mounting box, then read the following instructions. Disconnect the power by removing fuses or turning off circuit breakers.

Secure the outlet box directly to the building structure. Use appropriate fasteners and building materials. The outlet box and its support must be able to fully support the moving weight of the fan (at least 50 lbs). Do not use plastic outlet boxes.

Figures 1, 2 and 3 are examples of different ways to mount the outlet box.

NOTE: If you are installing the ceiling fan on a sloped (vaulted) ceiling, you may need a longer downrod to maintain proper clearance between the tip of the blade and the ceiling. A minimum clearance of 12" is suggested for optimal operation.

NOTE: Depending on the location you have selected for installation, you may need to purchase and install a "Joist Hanger" for the support of the outlet box. Make sure the joist hanger you purchase has been designed for use with ceiling fans. (Fig. 4)

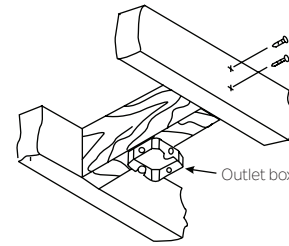


Fig. 1

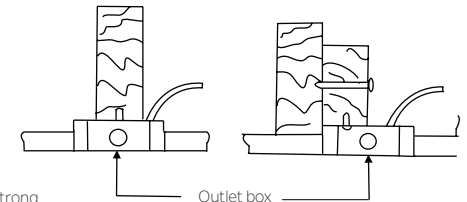


Fig. 2

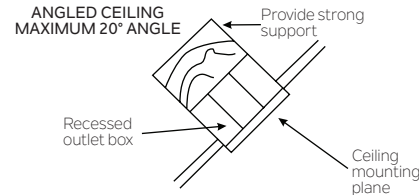


Fig. 3

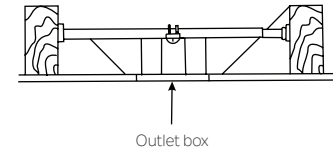


Fig. 4

HANGING THE FAN

REMEMBER to turn off the power before you begin. To properly install your ceiling fan, follow the steps below.

Step 1. Remove the decorative canopy bottom cover from the canopy by turning the cover counter clockwise. (Fig. 5)

Step 2. Remove the ceiling mounting bracket from the canopy by removing (and save one of the two screws. Loosen the remaining screw by a half turn. (Fig. 5)

Step 3. Pass the 120 volt supply wires from the ceiling outlet box through the center of the ceiling mounting bracket. (Fig.6)

Step 4. Attach the ceiling mounting bracket to the outlet box using the screws and washers included with the outlet box. (Fig. 6)

Step 5. Remove the hanger ball from the downrod assembly by loosening the set screw, unscrewing and removing the cross pin and unscrewing the ball off the rod. (Fig.7)

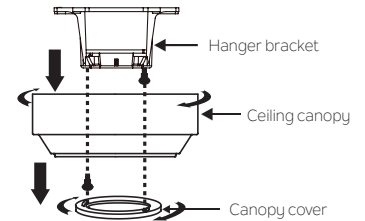


Fig. 5

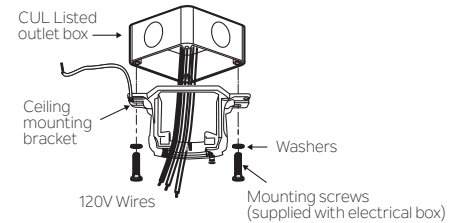


Fig. 6

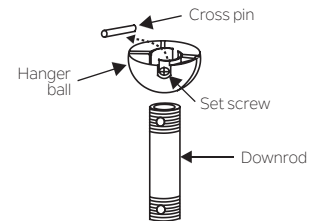


Fig. 7

HANGING THE FAN

Step 6. Loosen the two set screws and remove the hitch pin and retaining clip from the coupling on top of the motor assembly. (Fig. 8)

Step 7. Carefully feed the electrical lead wires safety cable from the fan up through the downrod. Thread the downrod into the coupling until the Hitch pin holes are aligned.

Next, replace the hitch pin and retaining clip. Tighten both set screws. (Fig. 8)

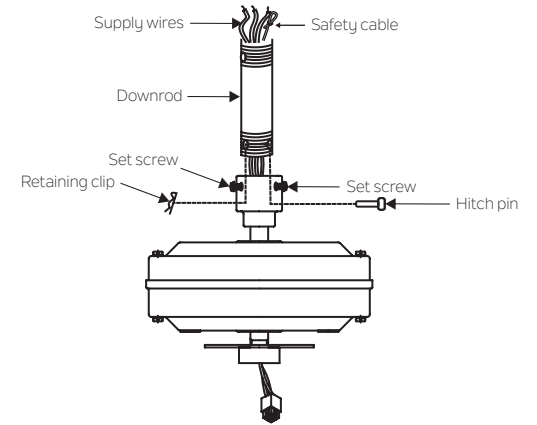


Fig. 8

HANGING THE FAN

Step 8. Slip the coupling cover, canopy cover and canopy onto the downrod.
(Fig. 9)

Thread the hanger ball onto the downrod, insert the cross pin through the downrod and tighten. Tighten the set screw.

Step 9. Lift the motor assembly into position and place the hanger ball into the ceiling mounting bracket.
(Fig. 10)

Rotate the entire assembly until the “Check Tab” has dropped into the “Registration Slot” and seats firmly. (Fig. 10)

The entire motor assembly should not rotate (left or right) when seated properly.

WARNING: Failure to reattach the cross pin and seat the “Check Tab” can cause the fan to fall from the ceiling during operation. Take special care to make sure this pin is reattached.

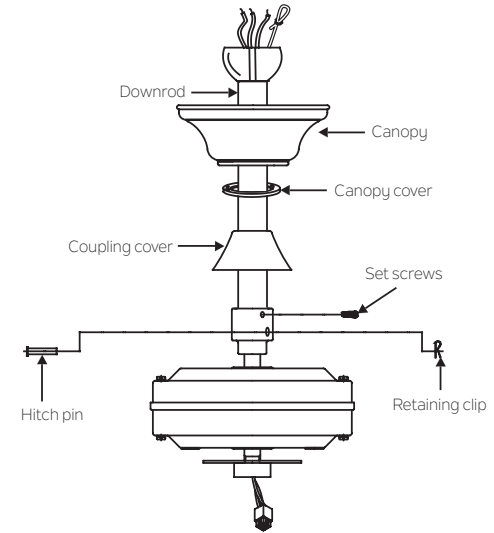


Fig. 9

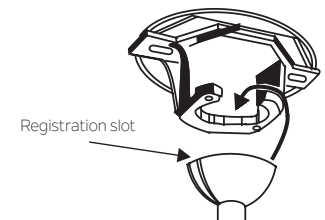


Fig. 10

INSTALLATION OF SAFETY SUPPORT (Required for Canadian installation ONLY)

A safety support cable is provided to help prevent the ceiling fan from falling.

Step 1. Attach the provided wood screw and washers to the ceiling joist next to the mounting bracket but do not tighten. (Fig. 11)

Step 2. Adjust the length of the safety cable to reach the screw and washers by pulling the extra cable through the cable clamp until the overall length is correct, put the end of the cable back through the cable clamp, forming a loop at the end of the cable. Tighten the cable clamp securely. Now, put the loop in the end of the safety cable over the wood screw and under the washer. Tighten the wood screw securely.

NOTE: Although the safety support cable is required for Canadian installations only, it's a good idea to make the attachment with any installation.

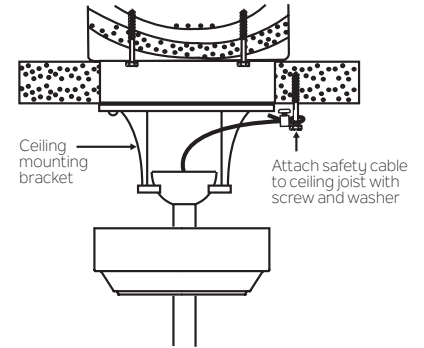


Fig. 11

ELECTRICAL CONNECTIONS

WARNING: To avoid possible electrical shock, be sure you have turned off the power at the main circuit panel.

NOTE: In the Transmitter, Set Dip Switch #4 to the D position. This enables the dimming function because your ceiling utilizes an LED light fixture that is dimmable. (See Fig.12)

If this switch is set to the X position it will disable the dimming function of your fixture.

NOTE: The remote control system is equipped with 16 possible frequency combinations to prevent interference from or with other remote control units. The frequency switches on your receiver and transmitter have been preset at the factory. Please recheck to make sure the switches on transmitter and receiver are set to the same position, any combination of settings will operate the fan as long as the transmitter and receiver are set to the same position. (Fig. 12)

Step 1. Insert the receiver into the ceiling mounting bracket with the flat side of the receiver facing the ceiling. (Fig. 13) For best performance, make sure the Black Antenna, on the end of the receiver, remains extended and not tangled with any of the electrical wires.

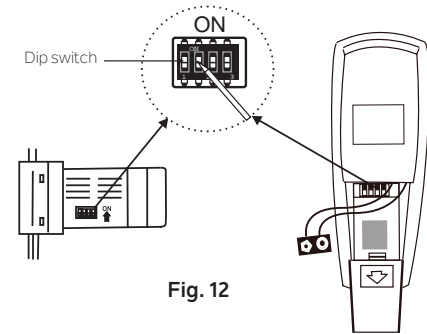


Fig. 12

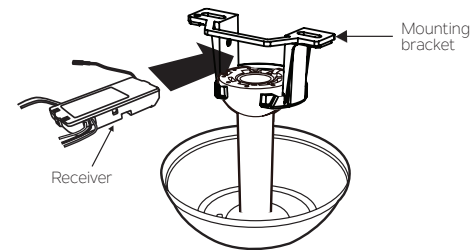


Fig. 13

ELECTRICAL CONNECTIONS

Step 2. Motor to Receiver Electrical Connections: (Fig. 14)

- Connect the black wire from the fan to the black wire marked “TO MOTOR L” on the receiver.
- Connect the white wire from the fan to the white wire marked “TO MOTOR N” on the receiver.
- Connect the blue wire from the fan to the blue wire marked FOR LIGHT” on the receiver.

NOTE: If the receiver included with your ceiling fan has an “orange wire”, ensure that it has a wire nut attached to the end of the wire. No exposed wire should show.

The Orange wire is used for decorative up lighting on some models.

Secure each set of wire connections with the plastic wire nuts provided in the parts bag.

Step 3. (Fig. 14) Receiver to House Supply Wires Electrical Connections:

- Connect the black (hot) wire from the ceiling to the black wire marked “AC in L” from the receiver.
- Connect the white (neutral) wire from the ceiling to the white wire marked “AC in N” from the Receiver.

Secure the wire connections with the plastic wire nuts provided.

Step 4. (Fig. 14) If your outlet box has a ground wire (green or bare copper) connect it to the fan ground wires; otherwise connect the hanging bracket ground wire to the mounting bracket. Secure the wire connection with a plastic nut provided. After connecting the wires, spread them apart so that the green and white wires are on one side of the outlet box and black and blue wires are on the other side. Carefully tuck the wire connections up into the outlet box.

Note: Fan must be installed at a maximum distance of 30 feet from the CoolTouch™ Remote Transmitter for optimal signal transmission between the transmitter and the fan's receiving unit.

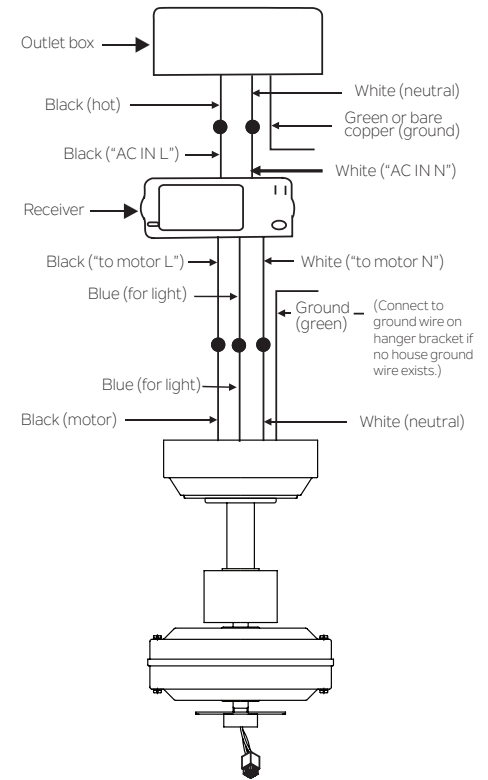


Fig. 14

FINISHING THE INSTALLATION

Step 1. Tuck all the connections neatly into the ceiling outlet box.

Step 2. Slide the canopy up to the mounting bracket and place one of the key hole slots over the mounting screw on the mounting bracket. Rotate the canopy until the screw head locks in place at the narrow section of the key hole. See figure 15.

Step 3. Align the remaining circular hole on the canopy with the remaining hole on the Ceiling Mounting Bracket. Insert and tighten the mounting screw you removed earlier and the mounting screw from Step 2 above. Now, attach the canopy cover to the mounting screw heads by inserting the screw heads into the bottom side of the canopy cover and rotating the cover clockwise.

NOTE: Adjust the canopy screws as necessary until the canopy and canopy cover are snug. (Fig. 15)

WARNING: Make sure the “Check Tab” at the bottom of the hanger bracket is properly seated in the “Registration Slot” on the side of the hanger ball before attaching the canopy to the bracket.

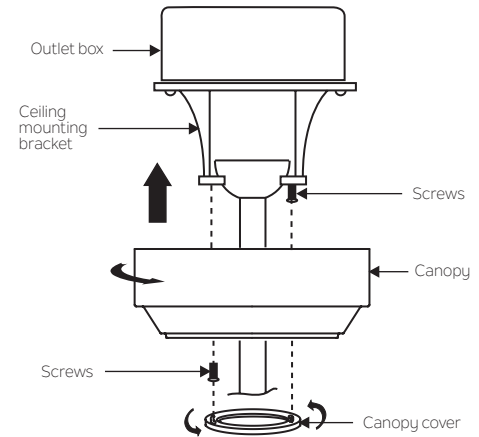


Fig. 15

ATTACHING THE FAN BLADES

CAUTION: Remove the five rubber shipping blocks attached to the face of the motor. These blocks keep the motor from shifting during shipping and **MUST** be removed during installation.

Step 1. Attach a blade to a blade bracket using the screws and fiber washers provided. (Fig. 16)

Make sure the blade is straight when set on the blade bracket. Tighten each mounting screw until the fiber washer is slightly compressed. Repeat this procedure for each blade.

Step 2. Attach each blade assembly to the motor using the “Pre-Installed” mounting screws in the blade bracket. (Fig 16)

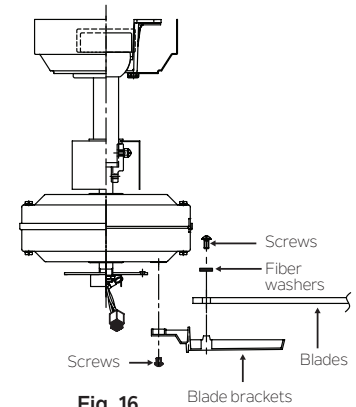


Fig. 16

INSTALLING THE MOUNTING PLATE

Step 1. Loosen the two screws on the mounting ring attached to the motor shaft and “remove” and save the third screw. (Fig. 17)

Step 2. Place the key hole slots on the light plate over the two screws previously loosened on the mounting ring.

Turn the light plate until it locks in place at the narrow section of the key hole slots.

Tighten both key hole screws and replace the third screw previously removed and tighten securely.

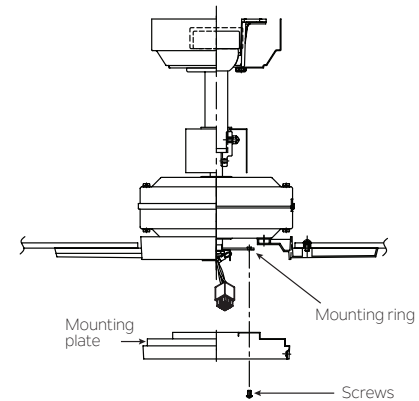


Fig. 17

INSTALLING THE LIGHT FIXTURE

NOTE: Before starting installation, disconnect the power by turning off the circuit breaker or removing the fuse at fuse box.

Step 1. While holding the light fixture/switch housing assembly under your ceiling fan, push the square wire connectors together. One from the fan and one from the switch housing. (Fig. 18)

NOTE: These connectors are color coded and will **ONLY** engage when the colored strips are matched (aligned).

Step 2. Carefully push all the wires into the switch housing on the light fixture/switch housing assembly.

Attach the light fixture/switch housing assembly to the mounting plate with the three screws provided. Make sure each screw is tight. (Fig. 18)

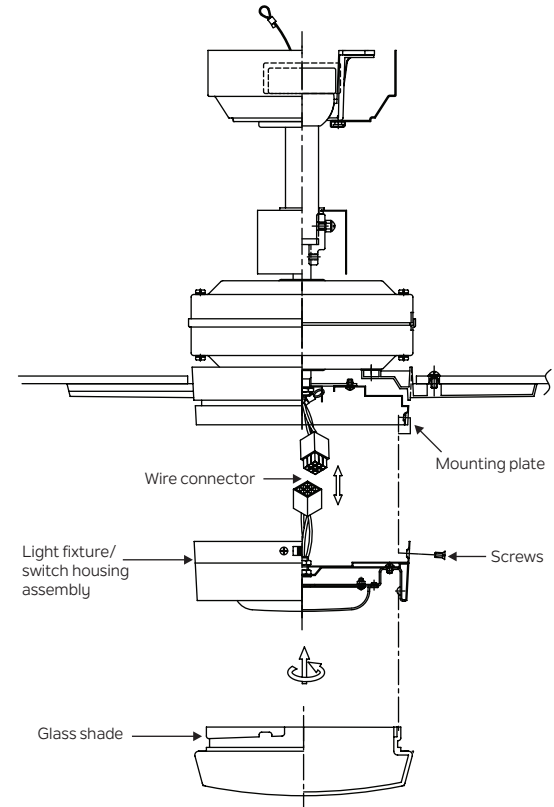


Fig. 18

OPERATING INSTRUCTIONS

Remove the battery compartment cover on the back of the CoolTouch™ Transmitter and insert 9 volt battery provided. (Fig. 19)

Take care during this procedure **NOT TO** move the frequency dip switches inside this compartment. The settings **MUST** remain the same as the settings on the receiver for proper communication with the control system.

It's a good idea to remove the battery if your fan is not used for extend periods of time, (months).

Restore power to ceiling fan and test for proper operation. (Fig. 20)

A. HI, MED, and LOW buttons:

These three buttons are used to set the fan speed as follows:

HI = High speed

MED = Medium speed

LOW = Low speed

B. OFF button: This button turns the fan off.

C. The "💡" button: turns the light ON or OFF and also controls the brightness setting.

Press and hold button to set the desired brightness level. The next time you turn the light on, the system will remember this setting.

Press and release button to turn the light ON or OFF.

This control system is **NOT** designed to "Reverse" the rotation of the blades. to set the fan blades in reverse, locate the reverse slide switch located on the side of the Light Kit Assembly. See inset image at right. (Fig. 21)

WARNING: Do not operate reversing switch while fan blades are in motion. Fan must be turned off and blades stopped before reversing blade direction.

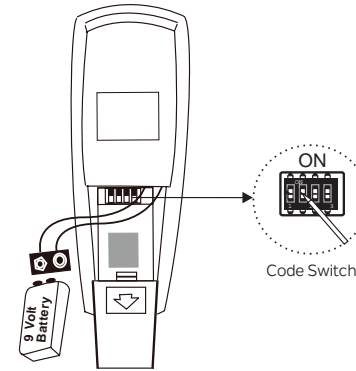


Fig. 19

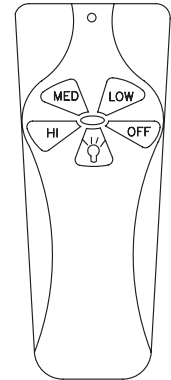


Fig. 20

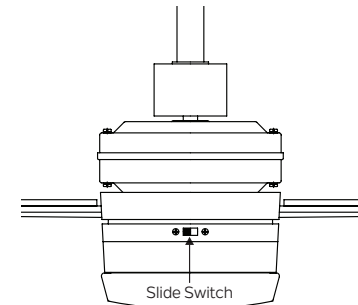


Fig. 21

OPERATING INSTRUCTIONS

The Black Slide Switch on the side of the switch housing controls the direction of the blades "Forward and Reverse".

WARNING: Do not operate reversing switch while fan blades are in motion. Fan must be turned off and blades stopped before reversing blade direction.

Warm weather - Forward (counter clockwise) A downward airflow creates a cooling effect as shown in Fig. 22. This allows you to set your air conditioner on a warmer setting without affecting your comfort.

Cool weather - Reverse (clockwise) An upward airflow moves warm air off the ceiling area as shown in Fig. 23. This allows you to set your heating unit on a cooler setting without affecting your comfort.

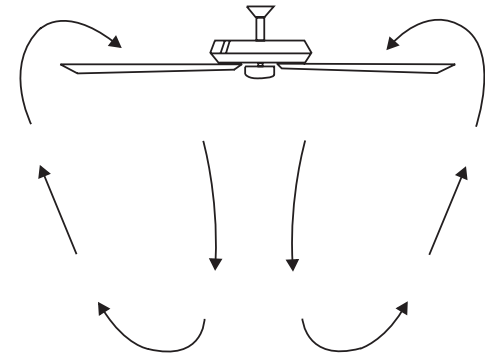


Fig. 22

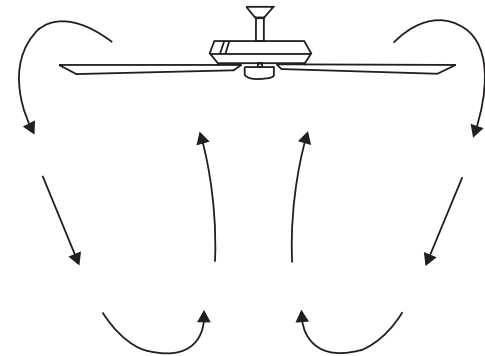


Fig. 23

INSTALLING THE REMOTE CONTROL HOLDER

Step 1. Attach the remote control holder with the two remote control holder mounting screw provided. (Fig.24)

Step 2. Replace the remote control holder cover into remote control holder.

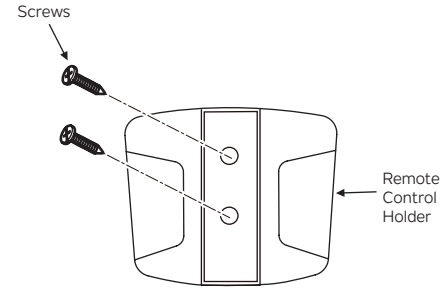


Fig. 24

TROUBLESHOOTING

Problem	Solution
Fan will not start.	<ol style="list-style-type: none">1. Check circuit fuses or breakers.2. Check all electrical connections to ensure proper contact. CAUTION: Make sure the main power is OFF when checking any electrical connection.3. Make sure the transmitter batteries are installed properly.4. Ensure the batteries have a good charge.
Fan sounds noisy.	<ol style="list-style-type: none">1. Make sure all motor housing screws are snug.2. Make sure the screws that attach the fan blade brackets to the motor are tight.3. Make sure wire nut connections are not rubbing against each other or the interior wall of the switch housing. CAUTION: Make sure main power is off.4. Allow a 24-hour “breaking-in” period. Most noise associated with a new fan disappear during this time.5. If using an optional light kit, make sure the screws securing the glassware are tight. Make sure the light bulbs are not touching any other component.6. Do not connect this fan to wall mounted variable speed control(s). They are not compatible with ceiling fan motors or remote controls.7. Make sure the upper canopy is a short distance from the ceiling. It should not touch the ceiling.

TROUBLESHOOTING

Problem

Solution

Fan wobble.

1. Check that all blade and blade arm screws are secure.
2. Most fan wobbling problems are caused when blade levels are unequal. Check this level by selecting a point on the ceiling above the tip of one of the blades. Measure this distance. Rotate the fan until the next blade is positioned for measurement. Repeat for each blade. The distance deviation should be equal within 1/8".
3. If the blade wobble is still noticeable, interchanging two adjacent (side by side) blades can redistribute the weight and possibly result in smoother operation.

WARNING: TO REDUCE THE RISK OF PERSONAL INJURY AND TO ENSURE THE PROPER OPERATION OF YOUR CEILING FAN. NEVER ATTACH THE BLADE ASSEMBLIES UNTIL THE CEILING FAN HAS BEEN MOUNTING ON THE CEILING. DO NOT BEND THE BLADE ARMS WHILE INSTALLING, BALANCING OR CLEANING THE FAN. DO NOT INSERT FOREIGN OBJECTS BETWEEN ROTATING FAN BLADES.

Remote control malfunction.

1. Ceiling Fans with remote control systems **CAN NOT** be operated in conjunction with any other control system EXCEPT a basic On/Off wall switch, if desired.
2. Make sure the frequency dip switches in the transmitter and receiver have identical settings.
3. Make sure the Black Antenna on the receiver is **NOT** tangled with any other electrical wires and is extended around the inside of the ceiling canopy.

FCC INFORMATION

This device complies with part 15 of the FCC Rules. Operation is subject to the following two conditions:

- 1) This device may not cause harmful interference, and
- 2) This device must accept any interference received, including interference that may cause undesired operation.

Note: This equipment has been tested and found to comply with the limits for a Class B digital device, pursuant to part 15 of the FCC Rules. These limits are designed to provide reasonable protection against harmful interference in a residential installation. This equipment generates, uses and can radiate radio frequency energy and, if not installed and used in accordance with the instructions, may cause harmful interference to radio communications. However, there is no guarantee that interference will not occur in a particular installation. If this equipment does cause harmful interference to radio or television reception, which can be determined by turning the equipment off and on, the user is encouraged to try to correct the interference by one or more of the following measures:

- Reorient or relocate the receiving antenna.
- Increase the separation between the equipment and receiver.
- Connect the equipment into an outlet on a circuit different from that to which the receiver is connected.
- Consult the dealer or an experienced radio/TV technician for help.

KICHLER®

KICHLER LIGHTING

7711 EAST PLEASANT VALLEY ROAD

CLEVELAND, OHIO 44131-8010

CUSTOMER SERVICE 866.558.5706

8:00 AM TO 5:00 PM EST, MONDAY - FRIDAY

KICHLER®

52" Lija™

Les images du produit peuvent varier légèrement d'un produit réel.



MANUEL D'INSTRUCTIONS

TABLEAU DES CONTENUS

RÈGLES DE SÉCURITÉ	4	FIXATION DES PALES DE VENTILATEUR	14
OUTILS REQUIS	5	INSTALLATION DE LA PLAQUE DE MONTAGE	14
CONTENU DU PAQUET	5	INSTALLATION DE L'APPAREIL D'ÉCLAIRAGE	15
OPTIONS DE MONTAGE	6	INSTRUCTIONS D'EXPLOITATION	16-17
ACCROCHER LE VENTILATEUR	7-9	INSTALLATION DE LA TÉLÉCOMMANDE PORTE-COMMANDE	18
INSTALLATION D'UN SOUTIEN À LA SÉCURITÉ	10	DÉPANNAGE	19-20
CONNEXIONS ÉLECTRIQUES	11-12	INFORMATIONS FCC	21
FINITION DE L'INSTALLATION	13		

RÈGLES DE SÉCURITÉ

1. Pour réduire le risque de choc électrique, assurez-vous que l'électricité a été coupée au disjoncteur ou à la boîte à fusibles avant de commencer.
2. Tout câblage doit être conforme au Code national de l'électricité et aux codes électriques locaux. L'installation électrique doit être effectuée par un électricien agréé qualifié.
3. **AVERTISSEMENT:** Pour réduire le risque d'incendie, de choc électrique ou de blessure personnelle, utilisez des vis de montage fournies avec la boîte de sortie. La plupart des boîtes de sortie couramment utilisées pour le support des luminaires ne sont pas acceptables pour le support du ventilateur et peuvent avoir besoin d'être remplacées. En raison de la complexité de l'installation de ce ventilateur, un électricien qualifié est fortement recommandé.
4. La boîte de sortie et la structure de soutien doivent être solidement montées et capables de supporter de façon fiable un minimum de 50 livres. N'utilisez que les boîtes de sortie CUL Listed portant la mention « POUR LE SOUTIEN AUX VENTILATEURS ».
5. Le ventilateur doit être monté avec un dégagement minimum de 7 pieds du bord de fuite des lames au plancher.
6. Ne pas utiliser l'interrupteur d'inversion pendant que les pales du ventilateur sont en mouvement. Le ventilateur doit être éteint et les pales arrêtées avant d'inverser la direction de la lame.
7. Évitez de placer des objets sur le chemin des lames.
8. Pour éviter des blessures ou des dommages au ventilateur et à d'autres articles, soyez prudent lorsque vous travaillez autour ou nettoyez le ventilateur.
9. N'utilisez pas d'eau ou de détergents lorsque vous nettoyez le ventilateur ou les lames du ventilateur. Un chiffon de poussière sèche ou un chiffon légèrement amorti sera approprié pour la plupart des nettoyages.
10. Après avoir fait les connexions électriques, les conducteurs épissés doivent être tournés vers le haut et poussés soigneusement vers le haut dans la boîte de sortie. Les fils doivent être écartés avec le fil au sol et le fil blanc (commun) d'un côté avec le fil noir (charge) de l'autre côté de la boîte de sortie.
11. Les diagrammes électriques ne sont que des références. Les kits légers qui ne sont pas emballés avec le ventilateur doivent être CUL Listed et marqués appropriés pour une utilisation avec le ventilateur de modèle que vous installez. Les commutateurs doivent être DES commutateurs d'utilisation générale CUL. Reportez-vous aux Instructions emballées avec les kits de lumière et les commutateurs pour un assemblage approprié.

AVERTISSEMENT

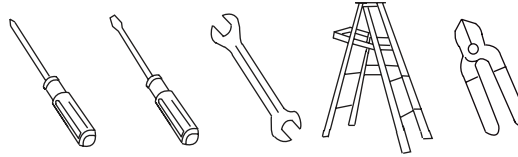
POUR RÉDUIRE LE RISQUE D'INCENDIE, DE CHOC ÉLECTRIQUE OU DE BLESSURE PERSONNELLE, MOUNT FAN TO OUTLET BOX MARQUÉ « ACCEPTABLE POUR LE SOUTIEN DES VENTILATEURS ».

AVERTISSEMENT

POUR RÉDUIRE LES RISQUES DE BLESSURES PERSONNELLES, NE PLIEZ PAS LES SUPPORTS DE LAME (ÉGALEMENT RÉFÉRENCÉS COMME BRIDES) PENDANT L'ASSEMBLAGE OU APRÈS L'INSTALLATION. NE PAS INSÉRER LES OBJETS DANS LE PATH DE LA BLADES.

OUTILS ET MATÉRIAUX REQUIS

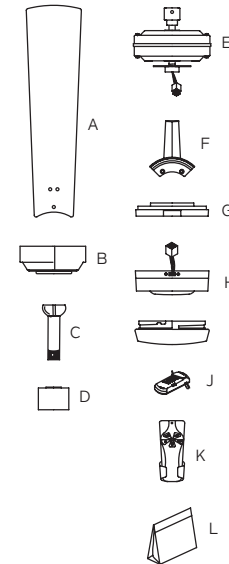
- Tournevis Phillips
- Tournevis de lame
- clé de 11 mm
- Escabeau
- Cisailles



CONTENU DU PAQUET

Déballez votre ventilateur et vérifiez le contenu. Vous devriez avoir les éléments suivants:

- | | |
|---|--|
| A. Lames de ventilateur (4) | J. Récepteur |
| B. Support de montage de canopée et de plafond | K. Émetteur et support avec vis de montage |
| C. Assemblage de boules/downrod | L. Contenu du sac de pièce |
| D. Couverture d'accouplement | 1) Matériel de montage : écrous de fil (3) |
| E. Assemblage de moteur de ventilateur | 2) Matériel d'attachement de lame : vis (12), lave-fibres (12) |
| F. Ensemble de 4 supports de lame et vis de montage préinstallées | 3) Matériel de câble de sécurité : vis en bois, laveuse de printemps, rondelle plate |
| G. Plaque de montage | |
| H. Luminaire LED | |
| I. Ombre en verre | |



OPTIONS DE MONTAGE

S'il n'y a pas de boîte de montage UL (cUL pour l'installation canadienne) existante, lisez les instructions suivantes. Débranchez la puissance en enlevant les fusibles ou en éteignant les disjoncteurs.

Sécurisez la boîte de sortie directement à la structure du bâtiment. Utilisez des attaches et des matériaux de construction appropriés. La boîte de sortie et son support doivent être en mesure de supporter pleinement le poids mobile du ventilateur (au moins 50 lbs). N'utilisez pas de boîtes de sortie en plastique.

Les figures 1, 2 et 3 sont des exemples de différentes façons de monter la boîte de sortie.

NOTE: Si vous installez le ventilateur de plafond sur un plafond incliné (voûté), vous pouvez avoir besoin d'une tige descendante plus longue pour maintenir le dégagement approprié entre la pointe de la lame et le plafond. Un dégagement minimum de 12" est suggéré pour un fonctionnement optimal.

NOTE: Selon l'emplacement que vous avez sélectionné pour l'installation, vous devrez peut-être acheter et installer un "Cintre de solive" pour le support de la boîte de sortie. Assurez-vous que le cintre de poutrelle que vous achetez a été conçu pour une utilisation avec des ventilateurs de plafond. (Fig. 4)

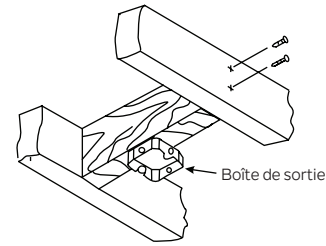


Fig. 1

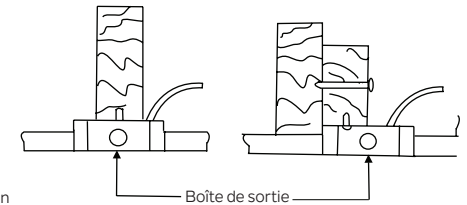


Fig. 2

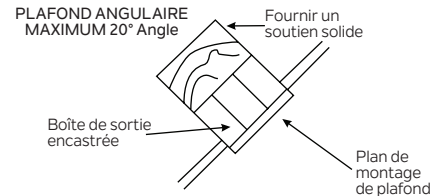


Fig. 3

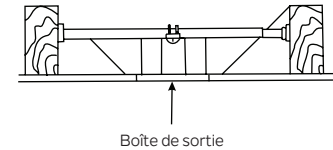


Fig. 4

ACCROCHAGE DU VENTILATEUR

RAPPELEZ-VOUS pour éteindre le courant avant de commencer. Pour installer correctement votre ventilateur de plafond, suivez les étapes ci-dessous.

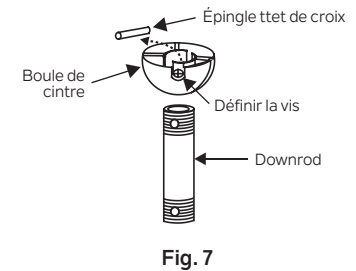
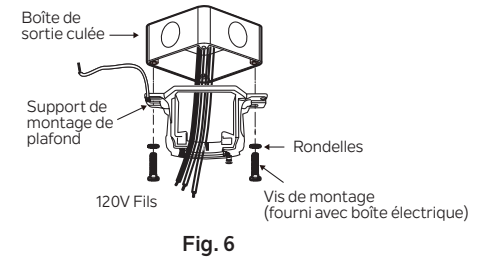
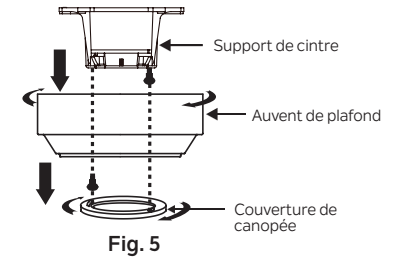
Étape 1. Retirez le couvercle décoratif du fond de la verrière en tournant le comptoir de couverture dans le sens des aiguilles d'une montre. (Fig. 5)

Étape 2. Retirez le support de montage du plafond de la verrière en enlevant (et enregistrez l'une des deux vis. Desserrer la vis restante d'un demi-tour. (Fig. 5)

Étape 3. Passer les fils d'alimentation de 120 volts de la boîte de sortie du plafond à travers le centre du support de montage du plafond. (Fig.6)

Étape 4. Fixez le support de montage du plafond à la boîte de sortie à l'aide des vis et des rondelles incluses dans la boîte de sortie. (Fig. 6)

Étape 5. Retirez la boule de cintre de l'assemblage de la tige descendante en desserrant la vis de jeu, en dévissant et en enlevant la goupille transversale et en déviant la balle de la tige. (Fig.7)



ACCROCHAGE DU VENTILATEUR

Étape 6. Desserrer les deux vis ensemble et enlever la goupille d'attelage et le clip de retenue de l'accouplement sur le dessus de l'assemblage moteur. (Fig. 8)

Étape 7. Alimentez soigneusement le câble de sécurité des fils de plomb électrique du ventilateur jusqu'à la tige descendante. Enfiler la tige descendante dans l'accouplement jusqu'à ce que les trous de broche shitch soient alignés.

Ensuite, remplacez la goupille d'attelage et le clip de retenue. Serrer les deux vis de ensemble. (Fig. 8)

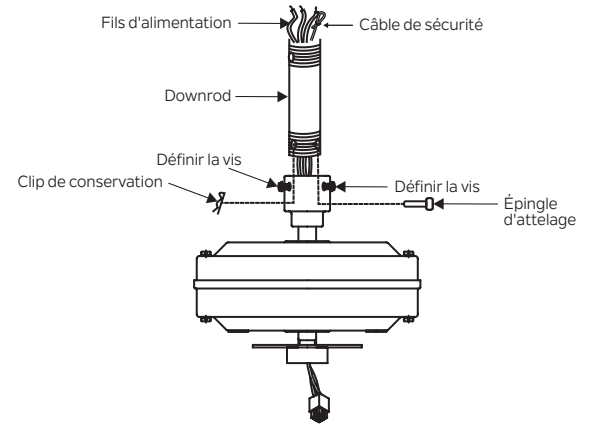


Fig. 8

ACCROCHAGE DU VENTILATEUR

Étape 8. Glissez le couvercle d'accouplement, le couvercle de la canopée et la verrière sur la tige descendante. (Fig. 9)

Enfiler la boule de cintre sur la tige descendante, insérer la broche transversale à travers la tige descendante et serrer. Resserrer la vis de l'ensemble.

Étape 9. Soulevez l'assemblage moteur en position et placez la boule de cintre dans le support de montage de plafond.

Faites pivoter l'ensemble de l'assemblage jusqu'à ce que l'onglet « Vérifier » soit tombé dans la « fente d'enregistrement » et les sièges fermement. (Fig. 10)

L'ensemble du moteur ne doit pas tourner (à gauche ou à droite) lorsqu'il est bien assis.

AVERTISSEMENT: Le fait de ne pas rattacher la broche transversale et de ne pas asseoir l'onglet « Onglet Vérifier » peut faire tomber le ventilateur du plafond pendant le fonctionnement. Prenez soin de vous assurer que cette broche est réattachée.

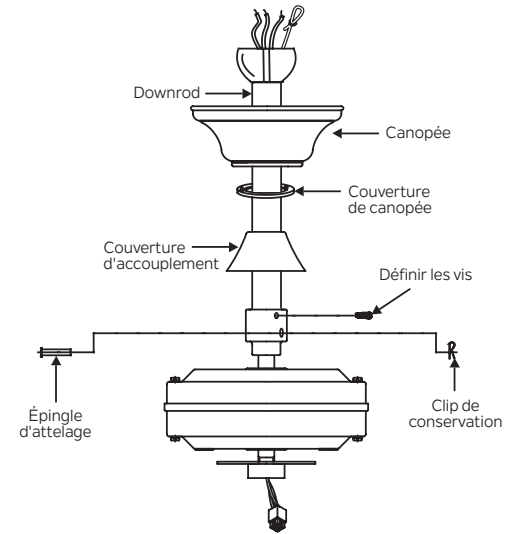


Fig. 9

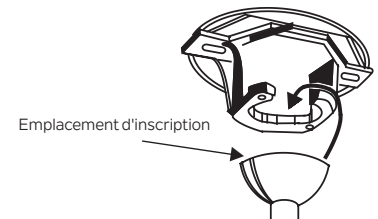


Fig. 10

INSTALLATION D'UN SOUTIEN À LA SÉCURITÉ (Obligatoire pour l'installation canadienne SEULEMENT)

Un câble de soutien de sécurité est fourni pour aider à empêcher le ventilateur du plafond de tomber.

Étape 1. Fixez la vis en bois fournie et les rondelles à la poutrelle du plafond à côté du support de montage, mais ne serrez pas. (Fig. 11)

Étape 2. Ajuster la longueur du câble de sécurité pour atteindre la vis et les rondelles en tirant le câble supplémentaire à travers la pince du câble jusqu'à ce que la longueur globale soit correcte, mettre l'extrémité du câble de retour à travers la pince du câble, formant une boucle à l'extrémité du câble. Resserrez la pince du câble solidement. Maintenant, mettez la boucle à l'extrémité du câble de sécurité sur la vis en bois et sous la rondelle. Resserrez la vis en bois solidement.

NOTE: Bien que le câble de soutien à la sécurité ne soit nécessaire que pour les installations canadiennes. C'est une bonne idée de faire l'attachement avec n'importe quelle installation.

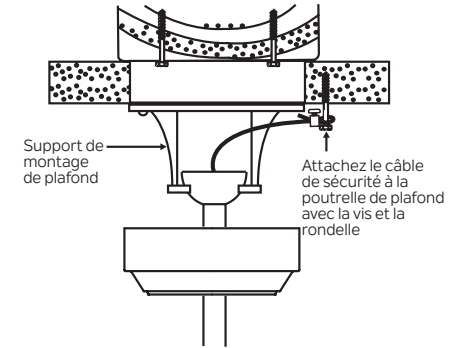


Fig. 11

CONNEXIONS ÉLECTRIQUES

AVERTISSEMENT: Pour éviter un choc électrique possible, assurez-vous d'avoir coupé la puissance du panneau de circuit principal.

NOTE: Dans l'émetteur, définir le commutateur de trempage #4 à la position D. Cela permet la fonction de gradation parce que votre plafond utilise un luminaire LED qui est dimmable. (Voir Fig.12)

Si ce commutateur est réglé à la position X, il désactivera la fonction de gradation de votre appareil.

NOTE: Le système de télécommande est équipé de 16 combinaisons de fréquences possibles pour prévenir les interférences de ou avec d'autres unités de contrôle à distance. Les commutateurs de fréquence de votre récepteur et de votre émetteur ont été pré-réglés à l'usine. S'il vous plaît vérifier pour s'assurer que les commutateurs sur l'émetteur et le récepteur sont réglés à la même position, toute combinaison de paramètres fonctionnera le ventilateur aussi longtemps que l'émetteur et le récepteur sont réglés à la même position. (Fig. 12)

Étape 1. Insérez le récepteur dans le support de montage du plafond avec le côté plat du récepteur face au plafond. (Fig. 13) Pour de meilleures performances, assurez-vous que l'Antenna noire, à l'extrémité du récepteur, reste prolongée et ne s'emmêle pas avec l'un des fils électriques.

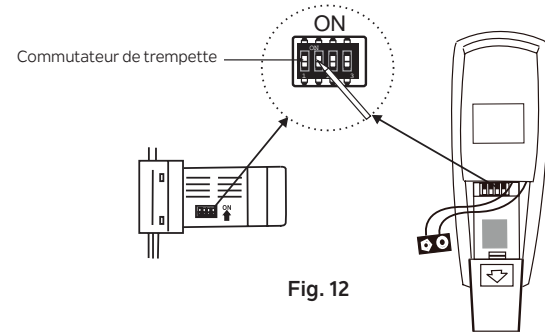


Fig. 12

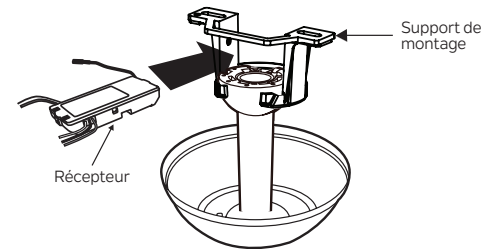


Fig. 13

CONNEXIONS ÉLECTRIQUES

Étape 2. Connexions électriques de moteur à récepteur : (Fig. 14)

- Connectez le fil noir du ventilateur au fil noir marqué "AU MOTEUR L" sur le récepteur.
- Connectez le fil blanc du ventilateur au fil blanc marqué "AU MOTEUR N" sur le récepteur.
- Connectez le fil bleu du ventilateur au fil bleu marqué POUR LA LUMIÈRE" sur le récepteur.

NOTE: Si le récepteur inclus avec votre ventilateur de plafond a un « fil orange », assurez-vous qu'il a un écrou de fil attaché à l'extrémité du fil. Aucun fil exposé ne doit s'afficher.

Le fil orange est utilisé pour l'éclairage décoratif sur certains modèles.

Sécurisez chaque ensemble de connexions de fil avec les écrous en fil de plastique fournis dans le sac de pièces.

Étape 3. (Fig. 14) Récepteur à la maison Supply Wires Electrical Connections:

- Connectez le fil noir (chaud) du plafond au fil noir marqué « AC en L » à partir du récepteur.
- Connectez le fil blanc (neutre) du plafond au fil blanc marqué « AC en N » du récepteur.

Fixer les connexions de fil avec les écrous de fil en plastique fournis.

Étape 4. (Fig. 14) Si votre boîte de sortie a un fil au sol (cuivre vert ou en cuivre nu) le connecter aux fils de sol de ventilateur ; autrement connectez le fil de sol de support suspendu au support de montage. Fixer la connexion de fil avec un écrou en plastique fourni. Après avoir relié les fils, étalez-les de sorte que les fils verts et blancs sont d'un côté de la boîte de sortie et les fils noirs et bleus sont de l'autre côté. Rangez soigneusement les connexions de fil vers le haut dans la boîte de sortie.

Note: Le ventilateur doit être installé à une distance maximale de 30 pieds du CoolTouch™ Émetteur à distance pour une transmission optimale du signal entre l'émetteur et l'unité de réception du ventilateur.

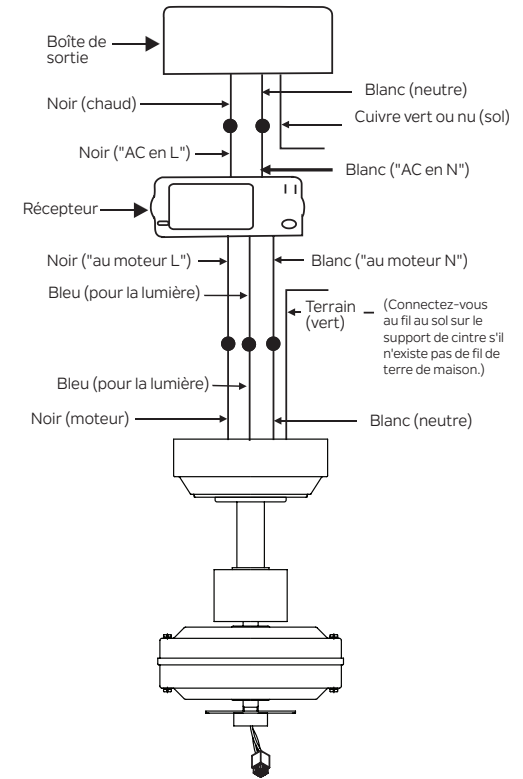


Fig. 14

FINITION DE L'INSTALLATION

Étape 1. Placez toutes les connexions proprement dans la boîte de sortie de plafond.

Étape 2. Faites glisser la verrière jusqu'au support de montage et placez l'une des fentes de trou de clé au-dessus de la vis de montage sur le support de montage. Faites pivoter la verrière jusqu'à ce que la tête de vis se verrouille en place à la section étroite du trou de clé. Voir figure 15.

Étape 3. Alignez le trou circulaire restant sur la verrière avec le trou restant sur le support de montage du plafond. Insérez et serrez la vis de montage que vous avez enlevée plus tôt et la vis de montage de l'étape 2 ci-dessus. Maintenant, attachez le couvercle de la canopée aux têtes de vis de montage en insérant les têtes de vis dans le côté inférieur du couvercle de la canopée et en tournant le couvercle dans le sens des aiguilles d'une montre.

NOTE: Ajuster les vis de la canopée au besoin jusqu'à ce que la verrière et le couvert forestier soient bien ajustés. (Fig. 15)

AVERTISSEMENT: Assurez-vous que l'onglet « Vérifier » au bas du support du cintre est correctement assis dans la « fente d'enregistrement » sur le côté de la boule de cintre avant d'attacher la verrière au support.

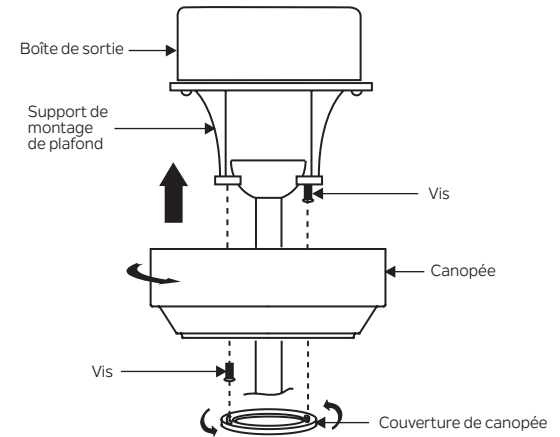


Fig. 15

FIXATION DES LAMES DU VENTILATEUR

ATTENTION: Retirez les cinq blocs d'expédition en caoutchouc fixés à la face du moteur. Ces blocs empêchent le moteur de se déplacer pendant l'expédition et DOIVENT être enlevés pendant l'installation.

Étape 1. Fixez une lame à un support de lame à l'aide des vis et des lave-fibres fournies. (Fig. 16)

Assurez-vous que la lame est droite lorsqu'elle est fixée sur le support de la lame. Resserrer chaque vis de montage jusqu'à ce que la laveuse à fibres soit légèrement comprimée. Répétez cette procédure pour chaque lame.

Étape 2. Fixez chaque lame à l'appareil à l'aide des vis de montage « pré-installées » dans le support de la lame. (Fig 16)

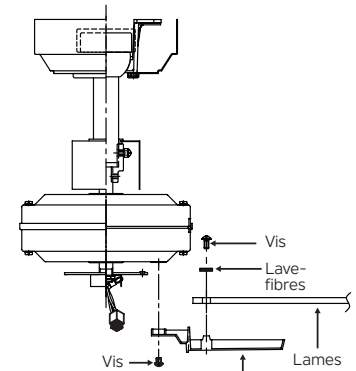


Fig. 16 Supports de lame

INSTALLATION DE LA PLAQUE DE MONTAGE

Étape 1. Desserrer les deux vis sur l'anneau de montage attaché à l'arbre moteur et "enlever" et enregistrer la troisième vis. (Fig. 17)

Étape 2. Placez les fentes de trou de clé sur la plaque lumineuse au-dessus des deux vis précédemment desserrées sur l'anneau de montage.

Tourner la plaque lumineuse jusqu'à ce qu'elle soit en place dans la section étroite des fentes du trou de clé.

Resserrer les vis de trou de la clé et remplacer la troisième vis précédemment enlevée et serrez solidement.

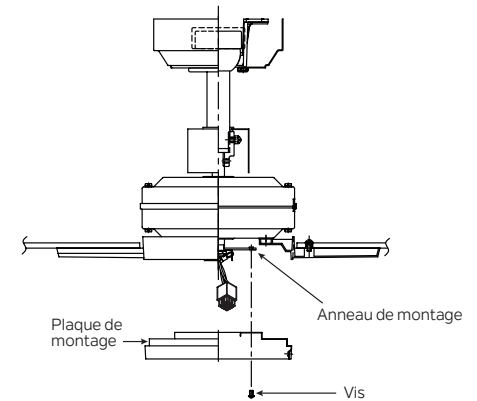


Fig. 17

INSTALLATION DE L'APPAREIL D'ÉCLAIRAGE

NOTE: Avant de commencer l'installation, débranchez la puissance en éteignant le disjoncteur ou en enlevant le fusible à la boîte de fusible.

Étape 1. Tout en tenant le luminaire /switch ensemble de logement sous votre ventilateur de plafond, poussez les connecteurs de fil carré ensemble. Un du ventilateur et un du boîtier d'interrupteur. (Fig. 18)

NOTE: Ces connecteurs sont codés en couleur et **SEULEMENT** s'engager lorsque les bandes colorées sont appariées (alignées).

Étape 2. Poussez soigneusement tous les fils dans le boîtier de commutateur sur l'appareil lumineux / montage de logement de commutateur.

Fixez l'ensemble de boîtier d'appareil d'éclairage/commutateur à la plaque de montage avec les trois vis fournies. Assurez-vous que chaque vis est serrée. (Fig. 18)

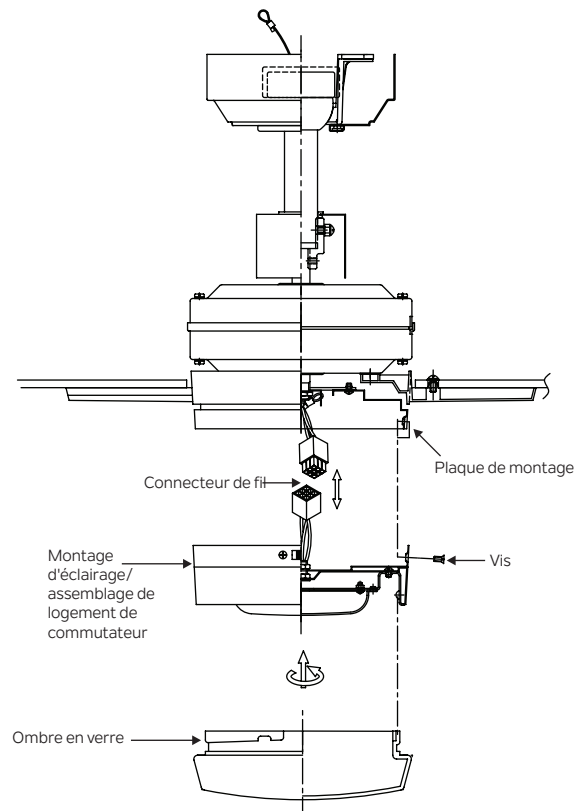


Fig. 18

INSTRUCTIONS DE FONCTIONNEMENT

Retirez le couvercle du compartiment de la batterie à l'arrière du CoolTouch™ Émetteur et insertion batterie de 9 volts fournie. (Fig. 19)

Prenez soin pendant cette procédure **NE PAS** déplacer les interrupteurs de trempage de fréquence à l'intérieur de ce compartiment. Les paramètres **DOIT** restent les mêmes que les réglages sur le récepteur pour une bonne communication avec le système de contrôle.

C'est une bonne idée d'enlever la batterie si votre ventilateur n'est pas utilisé pour des périodes de temps prolongés, (mois).

Restaurer l'alimentation du ventilateur de plafond et de tester pour un bon fonctionnement. (Fig. 20)

A. Boutons HI, MED et LOW :

Ces trois boutons sont utilisés pour définir la vitesse du ventilateur comme suit:

Salut - Vitesse élevée

Med Vitesse moyenne

Faible À basse vitesse

B. Bouton OFF :

Ce bouton éteint le ventilateur.

C. Le "💡" bouton:

tourne la lumière on ou OFF et contrôle également le réglage de luminosité.

Appuyez et maintenez le bouton pour définir le niveau de luminosité souhaité. La prochaine fois que vous allumez la lumière, le système se souviendra de ce paramètre.

Appuyez sur et relâchez le bouton pour allumer la lumière sur ou OFF.

Ce système de contrôle est **PAS** conçu pour « inverser » la rotation des lames. pour définir les pales du ventilateur en marche arrière, localiser l'interrupteur de glissière arrière situé sur le côté de l'assemblage du kit de lumière. Voir l'image enset à droite. (Fig. 21)

AVERTISSEMENT: Ne pas utiliser l'interrupteur d'inversion pendant que les pales du ventilateur sont en mouvement. Le ventilateur doit être éteint et les pales arrêtées avant d'inverser la direction de la lame.

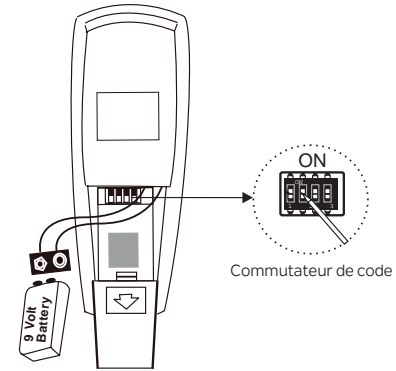


Fig. 19

Fig. 20

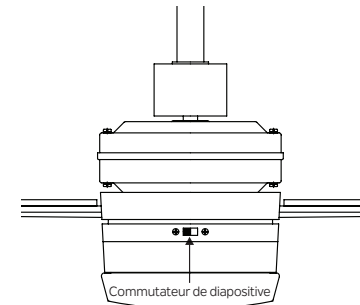


Fig. 21

INSTRUCTIONS D'EXPLOITATION

Le commutateur de glissière noire sur le côté du boîtier de commutateur contrôle la direction des pales " Avant et revers ".

AVERTISSEMENT: Ne pas utiliser l'interrupteur d'inversion pendant que les pales du ventilateur sont en mouvement. Le ventilateur doit être éteint et les pales arrêtées avant d'inverser la direction de la lame.

Temps chaud - Vers l'avant (contre-horaire) Un flux d'air vers le bas crée un effet de refroidissement comme le montre la fig. 22. Cela vous permet de régler votre climatiseur sur un réglage plus chaud sans affecter votre confort.

Temps frais - Inverser (dans le sens horaire) Un flux d'air ascendant déplace l'air chaud hors de la zone du plafond comme le montre la fig. 23. Cela vous permet de régler votre unité de chauffage sur un réglage plus frais sans affecter votre confort.

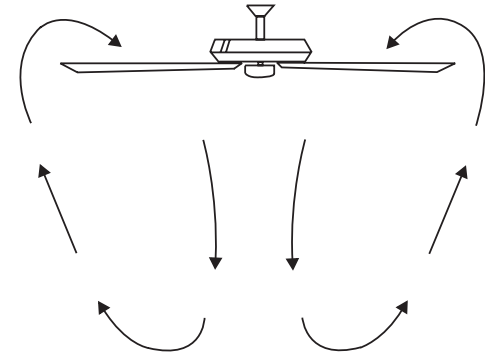


Fig. 22

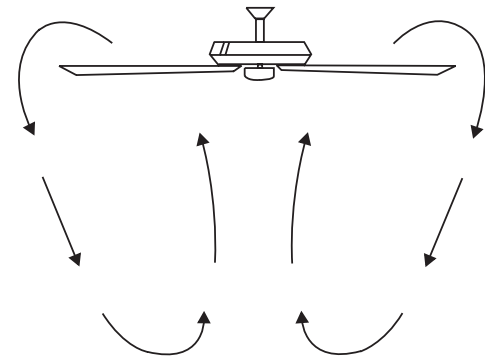


Fig. 23

INSTALLATION DU SUPPORT DE TÉLÉCOMMANDE

Étape 1. Fixez le support de commande à distance avec la vis de montage de deux télécommandes fournie. (Fig.24)

Étape 2. Remplacez le couvercle du support de télécommande dans le support de télécommande.

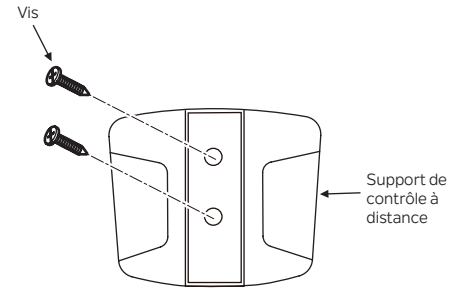


Fig. 24

DÉPANNAGE

Problème

Solution

Le ventilateur ne démarre pas.

1. Vérifiez les fusibles de circuit ou les disjoncteurs.
2. Vérifiez toutes les connexions électriques pour assurer un bon contact. **ATTENTION:** Assurez-vous que la puissance principale est **OFF** lors de la vérification d'une connexion électrique.
3. Assurez-vous que les batteries de l'émetteur sont installées correctement.
4. Assurez-vous que les piles ont une bonne charge.

Le ventilateur a l'air bruyant.

1. Assurez-vous que toutes les vis de logement moteur sont bien ajustées.
2. Assurez-vous que les vis qui fixent les supports de lame du ventilateur au moteur sont serrées.
3. Assurez-vous que les connexions de écrou de fil ne se frottent pas les unes contre les autres ou le mur intérieur du boîtier d'interrupteur. **ATTENTION:** Assurez-vous que l'alimentation principale est coupée.
4. Prévoyez une période d'introduction par effraction de 24 heures. La plupart des bruits associés à un nouveau ventilateur disparaissent pendant cette période.
5. Si vous utilisez un kit de lumière optionnel, assurez-vous que les vis qui sévissent la verrerie sont serrées. Assurez-vous que les ampoules ne touchent aucun autre composant.
6. Ne connectez pas ce ventilateur au mur monté contrôle de vitesse variable(s). Ils ne sont pas compatibles avec les moteurs de ventilateur de plafond ou les télécommandes.
7. Assurez-vous que la verrière supérieure est à une courte distance du plafond. Il ne doit pas toucher le plafond.

DÉPANNAGE

Problème

Solution

Le ventilateur vacille.

1. Vérifiez que toutes les vis de bras de lame et de lame sont sûres.
2. La plupart des problèmes de vacillement des ventilateurs sont causés lorsque les niveaux de lame sont inégaux. Vérifiez ce niveau en sélectionnant un point sur le plafond au-dessus de la pointe de l'une des lames. Mesurez cette distance. Faites pivoter le ventilateur jusqu'à ce que la lame suivante soit positionnée pour la mesure. Répéter l'opération pour chaque lame. L'écart de distance doit être égal dans un délai de 1/8".
3. Si la lame oscille encore est perceptible, l'échange de deux lames adjacentes (côte à côte) peut redistribuer le poids et éventuellement entraîner un fonctionnement plus fluide.

AVERTISSEMENT: POUR RÉDUIRE LE RISQUE DE BLESSURES CORPORELLES ET POUR ENUSRE LE BON FONCTIONNEMENT DE VOTRE VENTILATEUR DE PLAFOND. NE JAMAIS FIXER LES ENSEMBLES DE LAME JUSQU'À CE QUE LE VENTILATEUR DE PLAFOND SOIT MONTÉ SUR LE PLAFOND NE PLIEZ PAS LES BRAS DE LA LAME PENDANT L'INSTALLATION, L'ÉQUILIBRAGE OU LE NETTOYAGE DU VENTILATEUR. NE PAS INSÉRER D'OBJETS ÉTRANGERS ENTRE LES PALES DE VENTILATEUR ROTATIVES.

Dysfonctionnement de la télécommande.

1. Ventilateurs de plafond avec systèmes de commande à distance **NE PEUT PAS** être exploité en conjonction avec tout autre système de contrôle SAUF un commutateur de base Sur / Off mur, si désiré.
2. Assurez-vous que les commutateurs de trempage de fréquence dans l'émetteur et le récepteur ont des paramètres identiques.
3. Assurez-vous que l'Antenna noire sur le récepteur est **PAS** enchevêtré avec d'autres fils électriques et est étendu autour de l'intérieur de la verrière du plafond.

INFORMATIONS FCC

Cet appareil est conforme à la partie 15 des Règles de la FCC. L'opération est soumise aux deux conditions suivantes :

- 1) Cet appareil ne peut pas causer d'interférences nocives, et
- 2) Cet appareil doit accepter toute interférence reçue, y compris les interférences qui peuvent causer un fonctionnement indésirable.

Note: Cet équipement a été testé et s'est avéré conforme aux limites d'un appareil numérique de classe B, conformément à la partie 15 des Règles de la FCC. Ces limites sont conçues pour offrir une protection raisonnable contre les interférences nocives dans une installation résidentielle. Cet équipement génère, utilise et peut émettre de l'énergie radiofréquence et, s'il n'est pas installé et utilisé conformément aux instructions, peut causer des interférences nocives aux communications radio. Cependant, il n'y a aucune garantie que l'interférence ne se produira pas dans une installation particulière. Si cet équipement cause des interférences nocives à la réception radio ou à la télévision, qui peut être déterminée en désactivant et en arrêtant l'équipement, l'utilisateur est encouragé à essayer de corriger l'interférence par une ou plusieurs des mesures suivantes :

Réorienter ou déplacer l'antenne réceptrice.

Augmenter la séparation entre l'équipement et le récepteur.

Connectez l'équipement à une prise sur un circuit différent de celui auquel le récepteur est connecté.

Consulter le concessionnaire ou un technicien expérimenté en radio/télévision pour obtenir de l'aide.

KICHLER®

KICHLER LIGHTING

7711 EAST PLEASANT VALLEY ROAD

CLEVELAND, OHIO 44131-8010

CUSTOMER SERVICE 866.558.5706

8:00 AM TO 5:00 PM EST, MONDAY - FRIDAY

KICHLER®

52" Lija™

Las imágenes del producto pueden variar ligeramente del producto real.



MANUAL

TABLA DE CONTENIDOS

NORMAS DE SEGURIDAD	4	FIJACIÓN DE LAS CUCHILLAS DEL VENTILADOR.....	14
HERRAMIENTAS REQUERIDAS.....	5	INSTALAR LA PLATE DE MONTAJE.....	14
CONTENIDO DEL PAQUETE	5	INSTALACIÓN DE LA LUMINARIA	15
OPCIONES DE MONTAJE.....	6	INSTRUCCIONES.....	16-17
COLGANDO EL VENTILADOR.....	7-9	INSTALACIÓN DEL MANDO A DISTANCIA TITULAR DEL CONTROL	18
INSTALACIÓN DE SOPORTE DE SEGURIDAD....	10	SOLUCIÓN DE PROBLEMAS	19-20
CONEXIONES ELÉCTRICAS.....	11-12	INFORMACIÓN DE LA FCC.....	21
FINALIZACIÓN DE LA INSTALACIÓN	13		

NORMAS DE SEGURIDAD

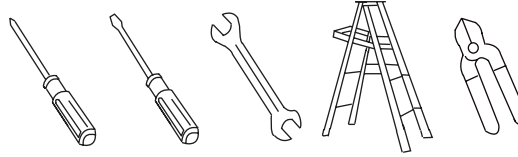
1. Para reducir el riesgo de descarga eléctrica, asegúrese de que la electricidad se ha apagado en el disyuntor o en la caja de fusibles antes de comenzar.
2. Todo el cableado debe estar de acuerdo con el Código Eléctrico Nacional y los códigos eléctricos locales. La instalación eléctrica debe ser realizada por un electricista con licencia calificado.
3. **ADVERTENCIA:** Para reducir el riesgo de incendio, descarga eléctrica o lesiones personales, utilice tornillos de montaje suministrados con la caja de salida. La mayoría de las cajas de salida comúnmente utilizadas para el soporte de luminarias no son aceptables para el soporte del ventilador y es posible que deban reemplazarse. Debido a la complejidad de la instalación de este ventilador, se recomienda encarecidamente un electricista con licencia calificado.
4. La caja de salida y la estructura de soporte deben estar montadas de forma segura y capaces de soportar de forma fiable un mínimo de 50 libras. Utilice únicamente las cajas de salida enumeradas CUL marcadas como "PARA APOYO DE VENTILADOR".
5. El ventilador debe montarse con un mínimo de 7 pies de distancia desde el borde de arrastre de las cuchillas hasta el suelo.
6. No utilice el interruptor de marcha atrás mientras las aspas del ventilador estén en movimiento. El ventilador debe estar apagado y las cuchillas deben detenerse antes de invertir la dirección de la hoja.
7. Evite colocar objetos en la trayectoria de las cuchillas.
8. Para evitar lesiones personales o daños en el ventilador y otros artículos, tenga cuidado al trabajar o limpiar el ventilador.
9. No utilice agua ni detergentes cuando limpie el ventilador o las cuchillas del ventilador. Un paño de polvo seco o un paño ligeramente humedecido serán adecuados para la mayoría de la limpieza.
10. Después de realizar las conexiones eléctricas, los conductores empalmados deben girarse hacia arriba y empujarse cuidadosamente hacia arriba en la caja de salida. Los cables deben separarse con el cable de tierra y el cable blanco (común) a un lado con el cable negro (carga) al otro lado de la caja de salida.
11. Los diagramas eléctricos son sólo de referencia. Los kits de luz que no estén embalados con el ventilador deben estar listados por CUL y marcados como adecuados para su uso con el ventilador modelo que está instalando. Los conmutadores deben ser conmutadores de uso general CUL. Consulte las instrucciones empaquetadas con los kits de luz y los interruptores para el montaje adecuado.

ADVERTENCIA
PARA REDUCIR EL RIESGO DE INCENDIO,
DESCARGO ELECTRICO O LESIONES PERSONALES,
MONTE FAN A OUTLET CAJA MARCADA "ACCEPTABLE
PARA APOYO DE VENTILADOR".

ADVERTENCIA
PARA REDUCIR EL RIESGO DE LESIONES PERSONALES, NO
DOBLE LOS SOPORTES DE LA HOJA (TAMBIÉN SE REFIEREN
COMO BRIDAS) DURANTE EL MONTAJE O DESPUÉS DE LA
INSTALACIÓN NO INSERTE OBJETOS EN LA RUTA DE LAS HOJAS.

HERRAMIENTAS Y MATERIALES NECESARIOS

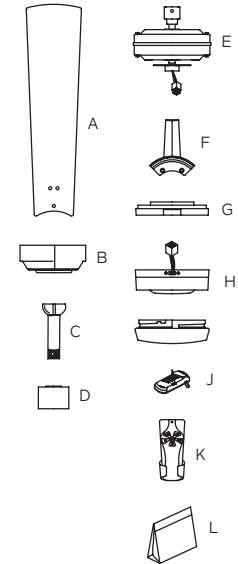
- Destornillador Phillips
- Destornillador de hoja
- Llave de 11 mm
- Escalera de paso
- Cortadores de alambre



CONTENIDO DEL PAQUETE

Desempaquete el ventilador y compruebe el contenido. Debe tener los siguientes elementos:

- | | |
|--|---|
| A. Aspas de ventilador (4) | J. Receptor |
| B. Soporte de montaje en dosel y techo | K. Transmisor y soporte con tornillos de montaje |
| C. Ensamblaje de bola/barra descendente | L. Contenido de la bolsa de piezas |
| D. Cubierta de acoplamiento | 1) Herrajes de montaje: tuercas de alambre (3) |
| E. Montaje del motor del ventilador | 2) Herrajes de fijación de cuchillas: tornillos (12), arandelas de fibra (12) |
| F. Juego de 4 soportes de cuchillas y tornillos de montaje preinstalados | 3) Hardware del cable de seguridad: tornillo de madera, lavadora de muelles, arandela plana |
| G. Placa de montaje | |
| H. Luminaria LED | |
| I. Sombra de cristal | |



OPCIONES DE MONTAJE

Si no hay un cuadro de montaje de la lista UL (cUL para instalación canadiense), lea las siguientes instrucciones. Desconecte la alimentación quitando fusibles o apagando los disyuntores.

Fije la caja de salida directamente a la estructura del edificio. Utilice los sujetadores y materiales de construcción apropiados. La caja de salida y su soporte deben ser capaces de soportar completamente el peso móvil del ventilador (al menos 50 lbs). No utilice cajas de salida de plástico.

Las figuras 1, 2 y 3 son ejemplos de diferentes formas de montar la caja de salida.

NOTA: Si está instalando el ventilador de techo en un techo inclinado (vaultado), es posible que necesite una varilla descendente más larga para mantener el espacio libre adecuado entre la punta de la hoja y el techo. Se sugiere un espacio libre mínimo de 12" para un funcionamiento óptimo.

NOTA: Dependiendo de la ubicación que haya seleccionado para la instalación, es posible que deba comprar e instalar un "Colgador de viguetas" para el soporte de la caja de salida. Asegúrese de que la percha de la vigueta que compre ha sido diseñada para su uso con ventiladores de techo. (Fig. 4)

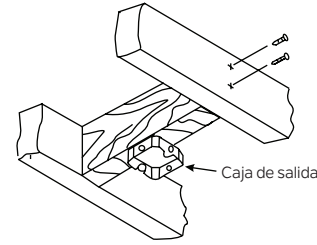


Fig. 1

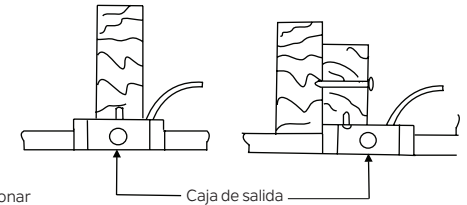


Fig. 2

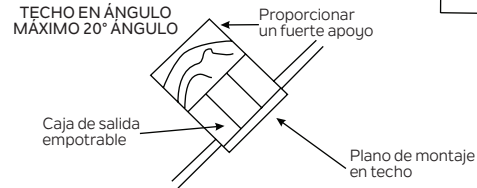


Fig. 3

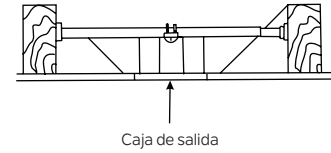


Fig. 4

COLGANDO EL VENTILADOR

RECORDAR para apagar la energía antes de comenzar. Para instalar correctamente el ventilador de techo, siga los pasos que se indican a continuación.

Paso 1. Retire la cubierta inferior del dosel decorativo del dosel girando la cubierta en sentido contrario a las agujas del reloj. (Fig. 5)

Paso 2. Retire el soporte de montaje del techo del dosel quitando (y guarde uno de los dos tornillos. Afloje el tornillo restante en media vuelta. (Fig. 5)

Paso 3. Pase los cables de alimentación de 120 voltios desde la caja de salida del techo a través del centro del soporte de montaje del techo. (Fig.6)

Paso 4. Fije el soporte de montaje del techo a la caja de salida utilizando los tornillos y arandelas incluidos con la caja de salida. (Fig. 6)

Paso 5. Retire la bola de la percha del conjunto de la varilla descendente aflojando el tornillo de ajuste, desenroscando y quitando el pasador de cruz y desenroscando la bola de la varilla. (Fig.7)

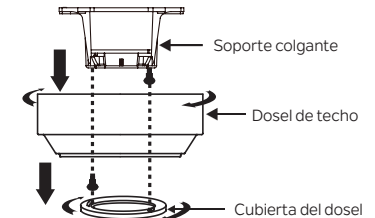


Fig. 5

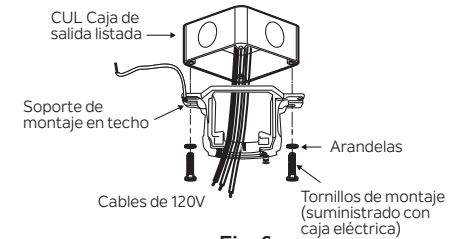


Fig. 6

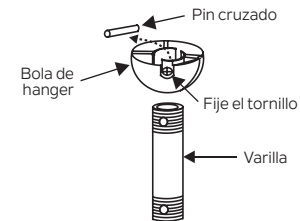


Fig. 7

COLGANDO EL VENTILADOR

Paso 6. Afloje los dos tornillos de fijación y retire el pasador de enganche y el clip de retención del acoplamiento en la parte superior del conjunto del motor. (Fig. 8)

Paso 7. Alimentar cuidadosamente el cable de seguridad de los cables eléctricos desde el ventilador hasta la varilla descendente. Enrosque la varilla descendente en el acoplamiento hasta que los orificios del pasador de enganche estén alineados.

A continuación, reemplace el pasador de enganche y el clip de retención. Apriete ambos tornillos de fijación. (Fig. 8)

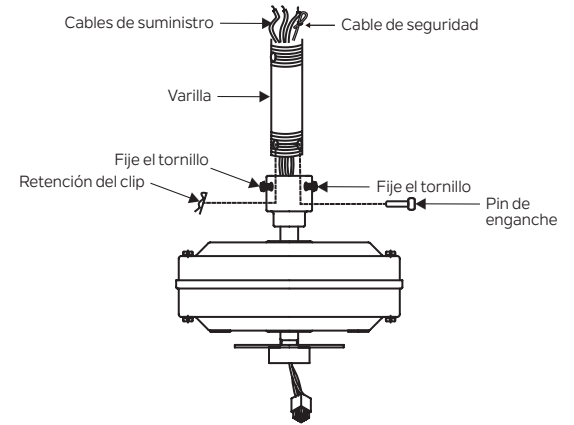


Fig. 8

COLGANDO EL VENTILADOR

Paso 8. Deslice la cubierta del acoplamiento, la cubierta del dosel y el dosel en la varilla descendente. (Fig. 9)

Enrosque la bola de la percha en la varilla descendente, inserte el pasador transversal a través de la varilla descendente y apriete. Apriete el tornillo de fijación.

Paso 9. Levante el conjunto del motor en su posición y coloque la bola colgante en el soporte de montaje del techo.

Gire todo el conjunto hasta que la "pestaña Comprobar" haya caído en la "Ranura de registro" y los asientos firmemente. (Fig. 10)

Todo el conjunto del motor no debe girar (izquierda o derecha) cuando está sentado correctamente.

ADVERTENCIA: Si no se vuelve a colocar el pasador cruzado y el asiento, la "pestaña de control" puede provocar que el ventilador se caiga del techo durante el funcionamiento. Tenga especial cuidado para asegurarse de que este pasador se vuelva a conectar.

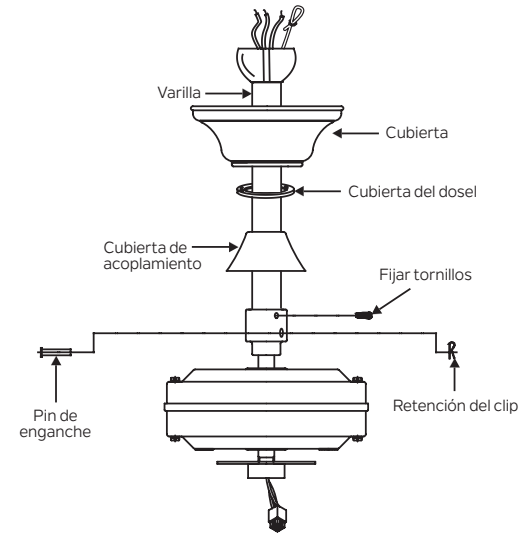


Fig. 9

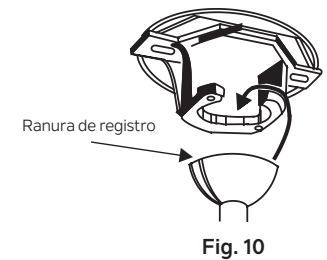


Fig. 10

INSTALACIÓN DE SOPORTE DE SEGURIDAD (Requerido para la instalación canadiense SOLAMENTE)

Se proporciona un cable de soporte de seguridad para ayudar a evitar que el ventilador de techo se caiga.

Paso 1. Fije el tornillo de madera y las arandelas suministrados a la vigueta del techo junto al soporte de montaje, pero no apriete. (Fig. 11)

Paso 2. Ajuste la longitud del cable de seguridad para llegar al tornillo y las arandelas tirando del cable adicional a través de la abrazadera del cable hasta que la longitud total sea correcta, vuelva a colocar el extremo del cable a través de la abrazadera del cable, formando un bucle al final del cable. Apriete firmemente la abrazadera del cable. Ahora, coloque el lazo en el extremo del cable de seguridad sobre el tornillo de madera y debajo de la arandela. Apriete firmemente el tornillo de madera.

NOTA: Aunque el cable de soporte de seguridad es necesario solo para instalaciones canadienses. Es una buena idea hacer el archivo adjunto con cualquier instalación.

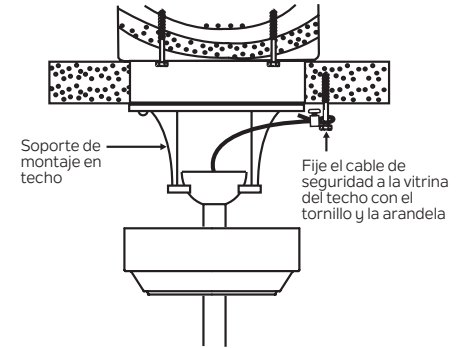


Fig. 11

CONEXIONES ELÉCTRICAS

ADVERTENCIA: Para evitar posibles descargas eléctricas, asegúrese de haber apagado la alimentación en el panel del circuito principal.

NOTA: En el transmisor, ajuste el interruptor de inmersión #4 a la posición D. Esto permite la función de atenuación porque el techo utiliza una luminaria LED que es regulable. (Véase la Fig.12)

Si este interruptor está ajustado en la posición X, desactivará la función de atenuación de su dispositivo.

NOTA: El sistema de control remoto está equipado con 16 combinaciones de frecuencias posibles para evitar interferencias o con otras unidades de control remoto. Los interruptores de frecuencia del receptor y el transmisor se han preajustado en fábrica. Vuelva a comprobar para asegurarse de que los interruptores del transmisor y el receptor están ajustados a la misma posición, cualquier combinación de ajustes operará el ventilador siempre y cuando el transmisor y el receptor estén ajustados a la misma posición. (Fig. 12)

Paso 1. Inserte el receptor en el soporte de montaje del techo con el lado plano del receptor mirando hacia el techo. (Fig. 13) Para obtener el mejor rendimiento, asegúrese de que la antena negra, en el extremo del receptor, permanece extendida y no enredada con ninguno de los cables eléctricos.

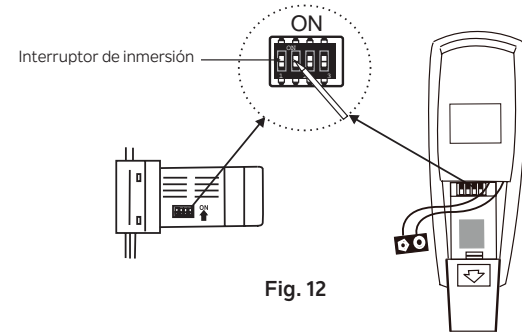


Fig. 12

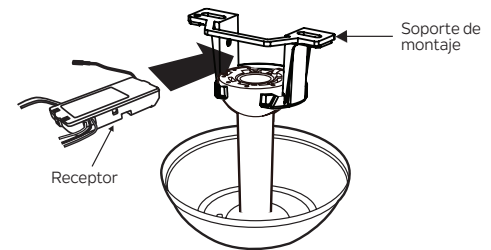


Fig. 13

CONEXIONES ELÉCTRICAS

Paso 2. Conexiones eléctricas del motor al receptor: (Fig. 14)

- Conecte el cable negro del ventilador al cable negro marcado como "AL MOTOR L" en el receptor.
- Conecte el cable blanco del ventilador al cable blanco marcado como "AL MOTOR N" en el receptor.
- Conecte el cable azul del ventilador al cable azul marcado PARA LA LUZ" en el receptor.

NOTA: Si el receptor incluido con el ventilador de techo tiene un "cable naranja", asegúrese de que tenga una tuerca de alambre conectada al extremo del cable. No debe mostrar se muestra ningún cable expuesto.

El alambre naranja se utiliza para la iluminación decorativa en algunos modelos.

Asegure cada conjunto de conexiones de alambre con las tuercas de alambre de plástico incluidas en la bolsa de piezas.

Paso 3. (Fig. 14) Receptor a la casa Decables de suministro Conexiones eléctricas:

- Conecte el cable negro (caliente) del techo al cable negro marcado como "AC en L" del receptor.
- Conecte el cable blanco (neutro) del techo al cable blanco marcado como "AC en N" del receptor.

Asegure las conexiones de alambre con las tuercas de alambre de plástico proporcionadas.

Paso 4. (Fig. 14) Si la caja de salida tiene un cable de tierra (verde o de cobre desnudo) conéctelo a los cables de tierra del ventilador; de lo contrario, conecte el cable de tierra del soporte colgante al soporte de montaje. Asegure la conexión del cable con una tuerca de plástico proporcionada. Después de conectar los cables, sepárelos de modo que los cables verdes y blancos estén en un lado de la caja de salida y los cables negros y azules estén en el otro lado. Coloque cuidadosamente las conexiones de cable en la caja de salida.

Nota: El ventilador debe instalarse a una distancia máxima de 30 pies del CoolTouch™ Transmisor remoto para una transmisión de señal óptima entre el transmisor y la unidad receptora del ventilador.

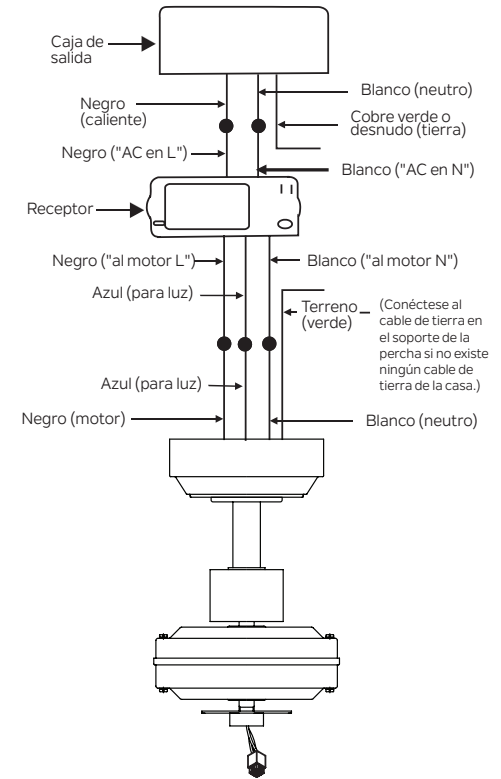


Fig. 14

FINALIZACIÓN DE LA INSTALACIÓN

Paso 1. Mete todas las conexiones cuidadosamente en la caja de salida del techo.

Paso 2. Deslice el dosel hasta el soporte de montaje y coloque una de las ranuras de orificio de llave sobre el tornillo de montaje en el soporte de montaje. Gire el dosel hasta que el cabezal del tornillo se bloquee en su lugar en la sección estrecha del orificio de la llave. Véase la figura 15.

Paso 3. Alinee el orificio circular restante en el dosel con el orificio restante en el soporte de montaje en techo. Inserte y apriete el tornillo de montaje que quitó anteriormente y el tornillo de montaje del paso 2 anterior. Ahora, fije la cubierta del dosel a los cabezales de tornillo de montaje insertando los cabezales de tornillo en el lado inferior de la cubierta del dosel y girando la cubierta en el sentido de las agujas del reloj.

NOTA: Ajuste los tornillos del dosel según sea necesario hasta que la cubierta del dosel y el dosel estén ajustadas. (Fig. 15)

ADVERTENCIA: Asegúrese de que la "pestaña de verificación" en la parte inferior del soporte de la percha esté correctamente asentada en la "Ranura de registro" en el lado de la bola de la percha antes de fijar el dosel al soporte.

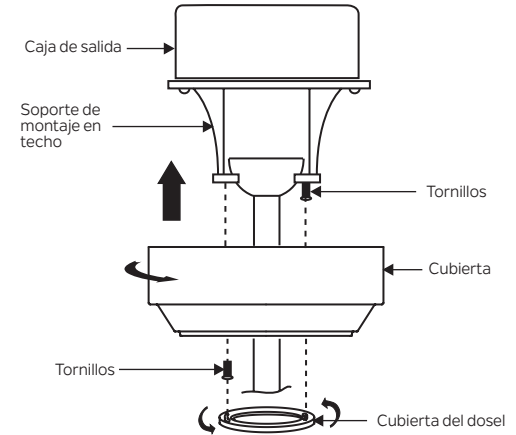


Fig. 15

COLOCACIÓN DE LAS CUCHILLAS DEL VENTILADOR

PRECAUCIÓN: Retire los cinco bloques de envío de goma unidos a la cara del motor. Estos bloques impiden que el motor se desplace durante el envío y DEBEN retirarse durante la instalación.

Paso 1. Fije una cuchilla a un soporte de cuchilla utilizando los tornillos y las arandelas de fibra proporcionadas. (Fig. 16)

Asegúrese de que la hoja esté recta cuando la ponga en el soporte de la hoja. Apriete cada tornillo de montaje hasta que la lavadora de fibra esté ligeramente comprimida. Repita este procedimiento para cada hoja.

Paso 2. Fije cada conjunto de cuchillas al motor utilizando los tornillos de montaje "Preinstalados" en el soporte de la hoja. (Fig 16)

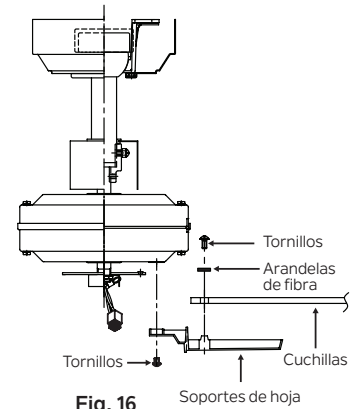


Fig. 16

INSTALAR LA PLACA DE MONTAJE

Paso 1. Afloje los dos tornillos del anillo de montaje conectado al eje del motor y "retire" y guarde el tercer tornillo. (Fig. 17)

Paso 2. Coloque las ranuras de los orificios de la llave en la placa de luz sobre los dos tornillos previamente aflojados en el anillo de montaje.

Gire la placa de luz hasta que esté fija en su lugar en la sección estrecha de las ranuras del orificio de la llave.

Apriete ambos tornillos de orificio de llave y reemplace el tercer tornillo previamente quitado y apriete firmemente.

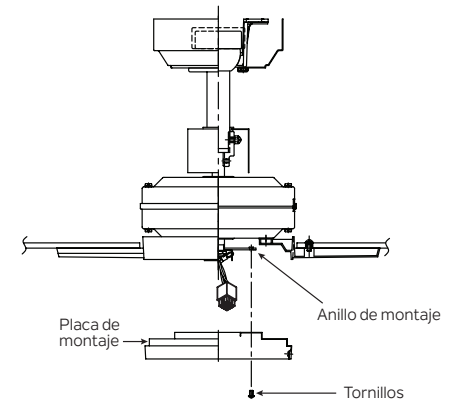


Fig. 17

INSTALANDO EL ACCESORIO DE LUZ

NOTA: Antes de iniciar la instalación, desconecte la alimentación apagando el disyuntor o quitando el fusible en la caja de fusibles.

Paso 1. Mientras sostiene el conjunto de la carcasa del interruptor/lámpara debajo del ventilador de techo, empuje los conectores de alambre cuadrado juntos. Uno del ventilador y otro de la carcasa del interruptor. (Fig. 18)

NOTA: Estos conectores están codificados por colores y **SOLAMENTE** enganchar cuando las tiras de colores están emparejadas (alineadas).

Paso 2. Empuje con cuidado todos los cables en la carcasa del interruptor en el conjunto de la carcasa del interruptor/lámpara.

Fije el conjunto de la carcasa del interruptor/lámpara a la placa de montaje con los tres tornillos suministrados. Asegúrese de que cada tornillo esté apretado. (Fig. 18)

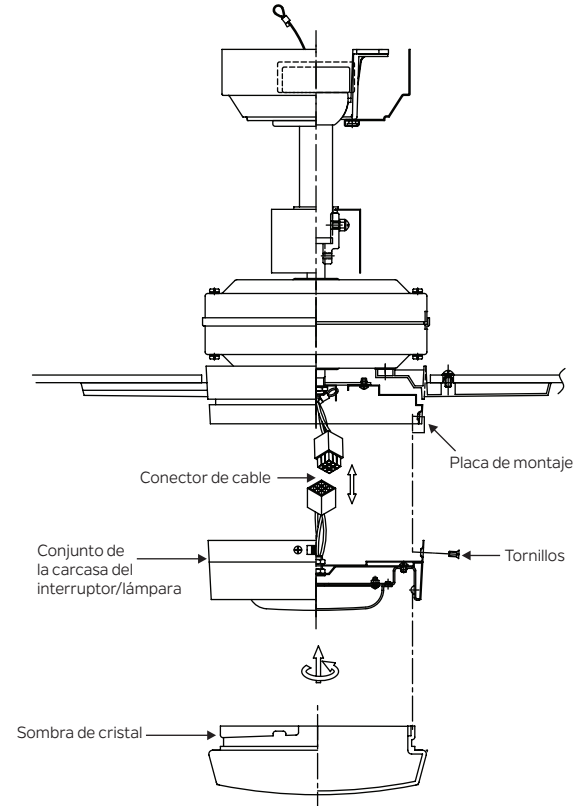


Fig. 18

INSTRUCCIONES DE OPERACIÓN

Retire la tapa del compartimento de la batería en la parte posterior del CoolTouch™ Transmisor e inserción de batería de 9 voltios. (Fig. 19)

Tenga cuidado durante este procedimiento **NO** mover los interruptores de inmersión de frecuencia dentro de este compartimento. Los ajustes **DEBE** seguir siendo los mismos que los ajustes en el receptor para una comunicación adecuada con el sistema de control.

Es una buena idea quitar la batería si el ventilador no se utiliza durante períodos de tiempo, (meses).

Restablezca la alimentación del ventilador de techo y pruebe el funcionamiento correcto. (Fig. 20)

A. Botones HI, MED y LOW:

Estos tres botones se utilizan para ajustar la velocidad del ventilador de la siguiente manera:

HI = Alta velocidad

Med = Velocidad media

Bajo = Baja velocidad

B. OFF Botón: Este botón apaga el ventilador.

C. El "💡" Botón: enciende o apaga la luz y también controla el ajuste de brillo.

Mantenga pulsado el botón para ajustar el nivel de brillo deseado. La próxima vez que encienda la luz, el sistema recordará esta configuración.

Pulse y suelte el botón para encender o apagar la luz.

Este sistema de control es **NO** diseñado para "invertir" la rotación de las cuchillas. para ajustar las cuchillas del ventilador en sentido inverso, localice el interruptor de deslizamiento situado en el lado del conjunto del kit de luz. Vea la imagen de inserción a la derecha. (Fig. 21)

ADVERTENCIA: No utilice el interruptor de marcha atrás mientras las aspas del ventilador estén en movimiento. El ventilador debe estar apagado y las cuchillas deben detenerse antes de invertir la dirección de la hoja.

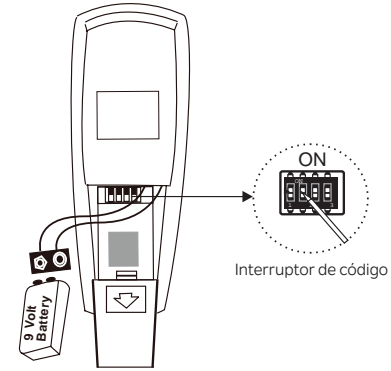


Fig. 19

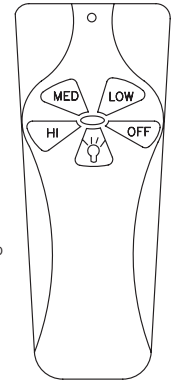


Fig. 20

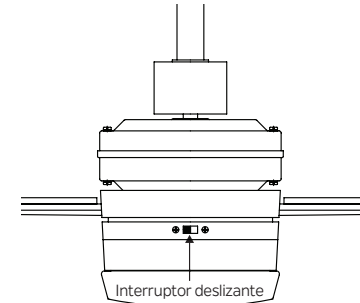


Fig. 21

INSTRUCCIONES

El interruptor deslizante negro en el lado de la carcasa del interruptor controla la dirección de las cuchillas "Adelante y Retroceso".

ADVERTENCIA: No utilice el interruptor de marcha atrás mientras las aspas del ventilador estén en movimiento. El ventilador debe estar apagado y las cuchillas deben detenerse antes de invertir la dirección de la hoja.

Clima cálido - Adelante (en sentido contrario a las agujas del reloj)
Un flujo de aire hacia abajo crea un efecto de enfriamiento como se muestra en la Fig. 22. Esto le permite ajustar su aire acondicionado en un ajuste más cálido sin afectar su comodidad.

Clima fresco - Invertir (en el sentido de las agujas del reloj)
Un flujo de aire hacia arriba mueve el aire caliente fuera del área del techo como se muestra en la Fig. 23. Esto le permite ajustar su unidad de calefacción en un ajuste más fresco sin afectar su comodidad.

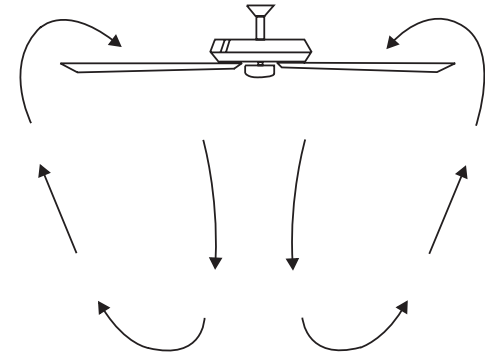


Fig. 22

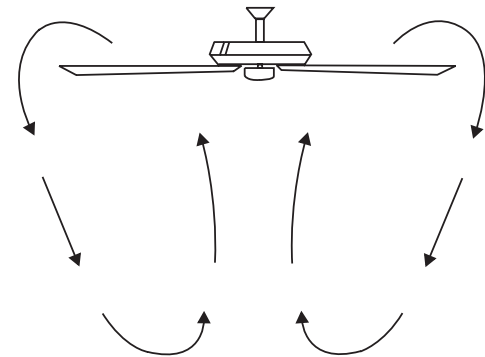


Fig. 23

INSTALACIÓN DEL SOPORTE DEL MANDO A DISTANCIA

Paso 1. Coloque el soporte del mando a distancia con los dos tornillos de montaje del soporte del mando a distancia suministrados. (Fig.24)

Paso 2. Vuelva a colocar la cubierta del soporte del mando a distancia en el soporte del mando a distancia.

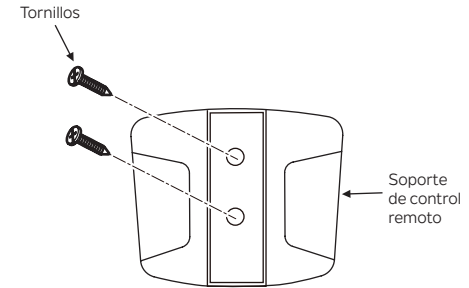


Fig. 24

SOLUCIÓN DE PROBLEMAS

Problema

Solución

El ventilador no se iniciará.

1. Compruebe los fusibles o interruptores del circuito.
2. Compruebe todas las conexiones eléctricas para garantizar el contacto adecuado.
PRECAUCIÓN: Asegúrese de que la potencia principal es **OFF** al comprobar cualquier conexión eléctrica.
3. Asegúrese de que las baterías del transmisor estén instaladas correctamente.
4. Asegúrese de que las baterías tengan una buena carga.

El ventilador suena ruidoso.

1. Asegúrese de que todos los tornillos de la carcasa del motor estén ajustados.
2. Asegúrese de que los tornillos que fijan los soportes de la hoja del ventilador al motor estén apretados.
3. Asegúrese de que las conexiones de tuercas de alambre no se froten entre sí o la pared interior de la carcasa del interruptor. **PRECAUCIÓN:** Asegúrese de que la alimentación principal esté apagada.
4. Permita un período de "interrupción" de 24 horas. La mayoría del ruido asociado con un nuevo ventilador desaparecen durante este tiempo.
5. Si utiliza un kit de luz opcional, asegúrese de que los tornillos que fijan la cristalería estén apretados. Asegúrese de que las bombillas no toquen ningún otro componente.
6. No conecte este ventilador a los controles de velocidad variable montados en la pared. No son compatibles con motores de ventilador de techo o mandos a distancia.
7. Asegúrese de que el dosel superior está a poca distancia del techo. No debe tocar el techo.

SOLUCIÓN DE PROBLEMAS

Problema

Solución

Ventilador tambaleo.

1. Compruebe que todos los tornillos de la hoja y del brazo de la hoja estén seguros.
2. La mayoría de los problemas de tambaleo de ventiladores se causan cuando los niveles de la hoja son desiguales. Compruebe este nivel seleccionando un punto en el techo por encima de la punta de una de las cuchillas. Mida esta distancia. Gire el ventilador hasta que la siguiente cuchilla se coloque para la medición. Repita el proceso para cada hoja. La desviación de distancia debe ser igual dentro de 1/8".
3. Si el bamboleo de la hoja todavía se nota, el intercambio de dos cuchillas adyacentes (lado a lado) puede redistribuir el peso y posiblemente dar lugar a un funcionamiento más suave.

ADVERTENCIA: PARA REDUCIR EL RIESGO DE LESIONES PERSONALES Y PARA ENUSRE LA FUNCIONAMIENTO ADECUADA DE SU FAN DE CEILING. NUNCA CONECTE LOS CONJUNTOS DE CUCHILLAS HASTA QUE EL VENTILADOR DE TECHO SE HAYA MONTADO EN EL TECHO. NO DOBLE LOS BRAZOS DE LA BLADE DURANTE LA INSTALACION, BALANCEO O LIMPIEZA DEL VENTILADOR. NO INSERTE OBJETOS EXTRAÑOS ENTRE LAS HOJAS GIRATORIAS DEL VENTILADOR.

Mal funcionamiento del mando a distancia.

1. Ventiladores de techo con sistemas de control remoto **NO SE PUEDE** operar en conjunto con cualquier otro sistema de control EXCEPTO un interruptor de pared básico de encendido/apagado, si lo desea.
2. Asegúrese de que los interruptores de inmersión de frecuencia en el transmisor y el receptor tienen ajustes idénticos.
3. Asegúrese de que la antena negra del receptor **NO** enredado con cualquier otro cable eléctrico y se extiende alrededor del interior del dosel del techo.

INFORMACIÓN DE LA FCC

Este dispositivo cumple con la parte 15 de las reglas de la FCC. El funcionamiento está sujeto a las dos condiciones siguientes:

- 1) Este dispositivo no puede causar interferencias dañinas, y
- 2) Este dispositivo debe aceptar cualquier interferencia recibida, incluida la interferencia que pueda causar un funcionamiento no deseado.

Nota: Este equipo ha sido probado y se ha comprobado que cumple con los límites para un dispositivo digital de Clase B, de conformidad con la parte 15 de las Reglas de la FCC. Estos límites están diseñados para proporcionar una protección razonable contra interferencias dañinas en una instalación residencial. Este equipo genera, utiliza y puede irradiar energía de radiofrecuencia y, si no se instala y utiliza de acuerdo con las instrucciones, puede causar interferencias dañinas a las comunicaciones radioeléctricas. Sin embargo, no hay garantía de que no se produzcan interferencias en una instalación en particular. Si este equipo causa interferencias perjudiciales en la recepción de radio o televisión, que se pueden determinar apagando y encendiendo el equipo, se recomienda al usuario que intente corregir la interferencia mediante una o más de las siguientes medidas:

- Reorientar o reubicar la antena receptora.
- Aumentar la separación entre el equipo y el receptor.
- Conecte el equipo a una toma de corriente en un circuito diferente al que está conectado el receptor.
- Consulte al distribuidor o a un técnico de radio/TV con experiencia para obtener ayuda.

KICHLER®

KICHLER LIGHTING

7711 EAST PLEASANT VALLEY ROAD

CLEVELAND, OHIO 44131-8010

CUSTOMER SERVICE 866.558.5706

8:00 AM TO 5:00 PM EST, MONDAY - FRIDAY