

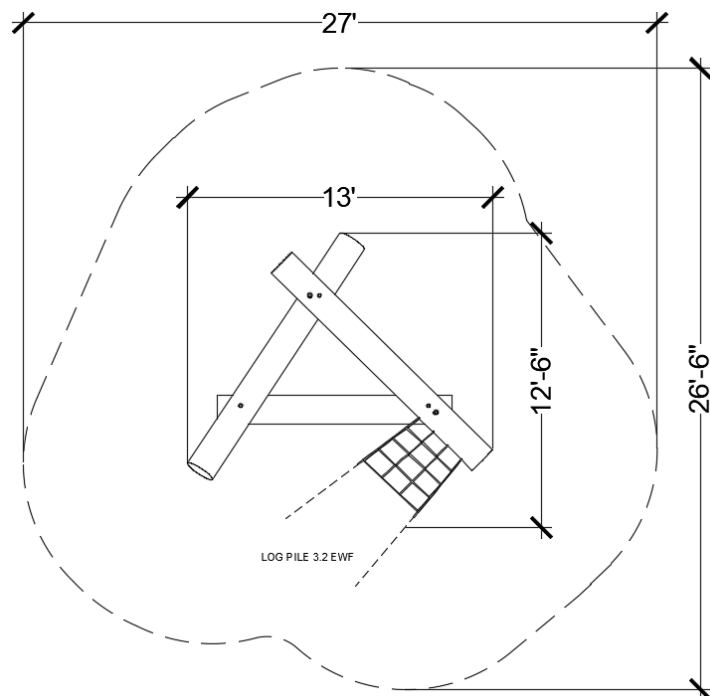
PRODUCT INFORMATION

ASTM F1487

Log Pile 3.2 incorporates net play into this triangular shaped log climbing structure. The low-angle net is perfect for young climbers who are near to the ground. The overall shape is conducive to social play and circular play.



Maximum height: 3'-3"
 Fall height: 3'-3"
 Area of Safety Surfacing: 500 ft²
 User Capacity: 12



The highest designated play surface and space required are according to ASTM F1487. A buffer is included in the fall zone to account for fabrication and material variations.

Resilient safety surfacing is required within the fall zone of equipment.

If you have questions about the equipment or require changes, please contact Earthscape at 1-877-269-2972.