

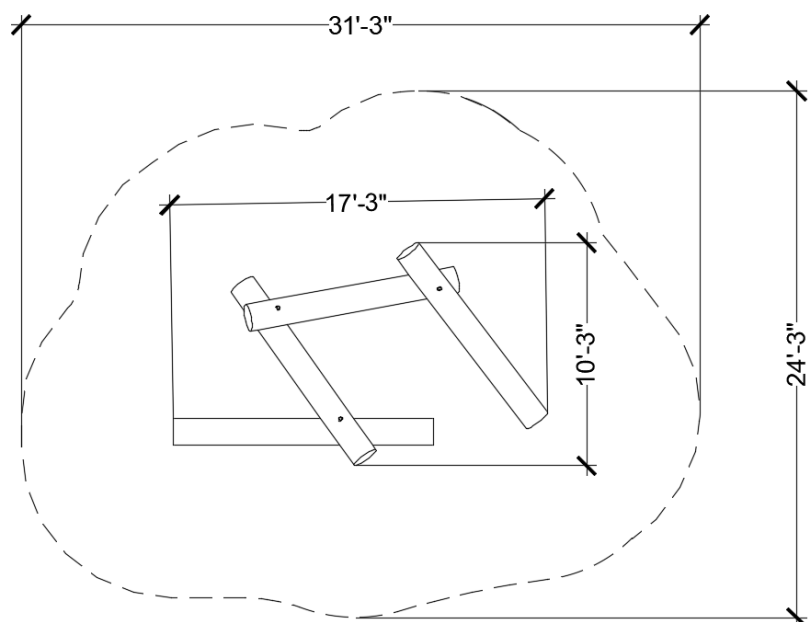
PRODUCT INFORMATION

ASTM F1487

This Log Pile configuration includes four large-diameter logs to form a low-to medium-challenge, natural climbing feature. They are a perfect addition to a natural playground or adventure playground for young children.



Maximum height: 3'-0"
Fall height: 3'-0"
Area of Safety Surfacing: 575 ft²
User Capacity: 12



The highest designated play surface and space required are according to ASTM F1487. A buffer is included in the fall zone to account for fabrication and material variations.

Resilient safety surfacing is required within the fall zone of equipment.

If you have questions about the equipment or require changes, please contact Earthscape at 1-877-269-2972.