



# JUNIOR TOWER

Intended user age: 2-5

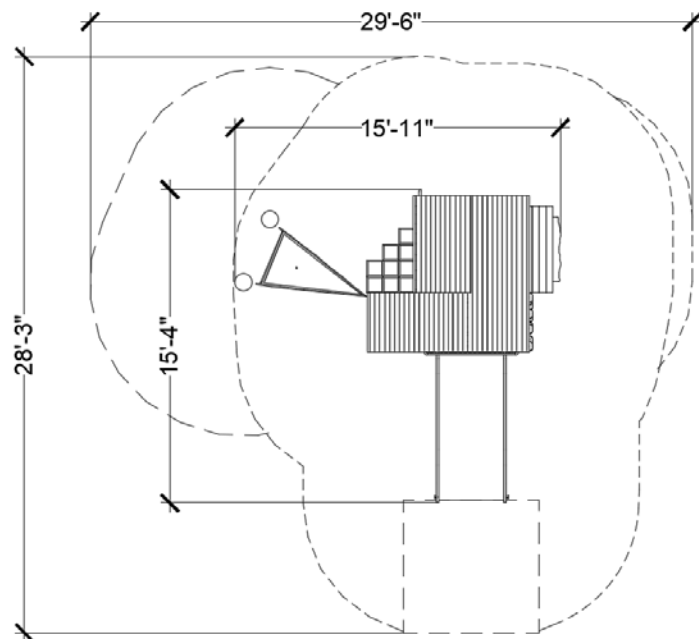
## PRODUCT INFORMATION

ASTM F1487

The Junior Tower is an elevated playground structure that packs a lot of play into a small footprint for younger children. The raised hut includes a double wide slide, accessible transfer bench, rung ladder access, cube stacked climber and climbing wall.



Maximum height: 12'-10"  
Fall height: 3'-11"  
Area of Safety Surfacing: 618 ft<sup>2</sup>



The highest designated play surface and space required are according to ASTM F1487. A buffer is included in the fall zone to account for fabrication and material variations.

Resilient safety surfacing is required within the fall zone of equipment.

If you have questions about the equipment or require changes, please contact Earthscape at 1-877-269-2972.