

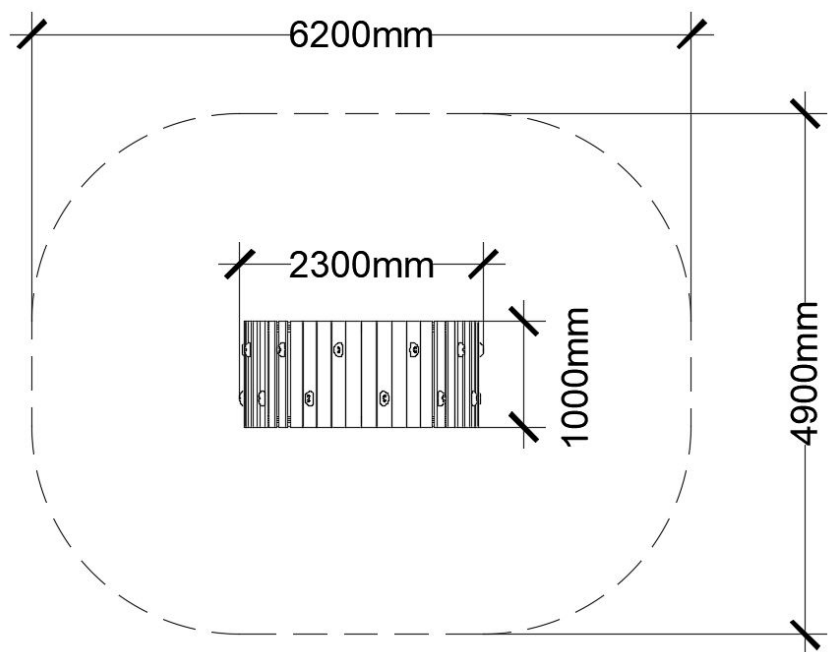
## PRODUCT INFORMATION

CSA Z614

The Round junior form is a versatile playground sculpture. Cladding is gapped at the bottom so children can begin their climb and tight at the top where there are coordinating handholds for children to grasp. From inside the Round form, children can also climb upsidedown using the cladding gaps.



Maximum height: 1.6 m  
 Fall height: 1.6 m  
 Area of Safety Surfacing: 27.5 m<sup>2</sup>  
 User Capacity: 7



The highest designated play surface and space required are according to CSA Z614. A buffer is included in the fall zone to account for fabrication and material variations.

Resilient safety surfacing is required within the fall zone of equipment.

If you have questions about the equipment or require changes, please contact Earthscape at 1-877-269-2972.