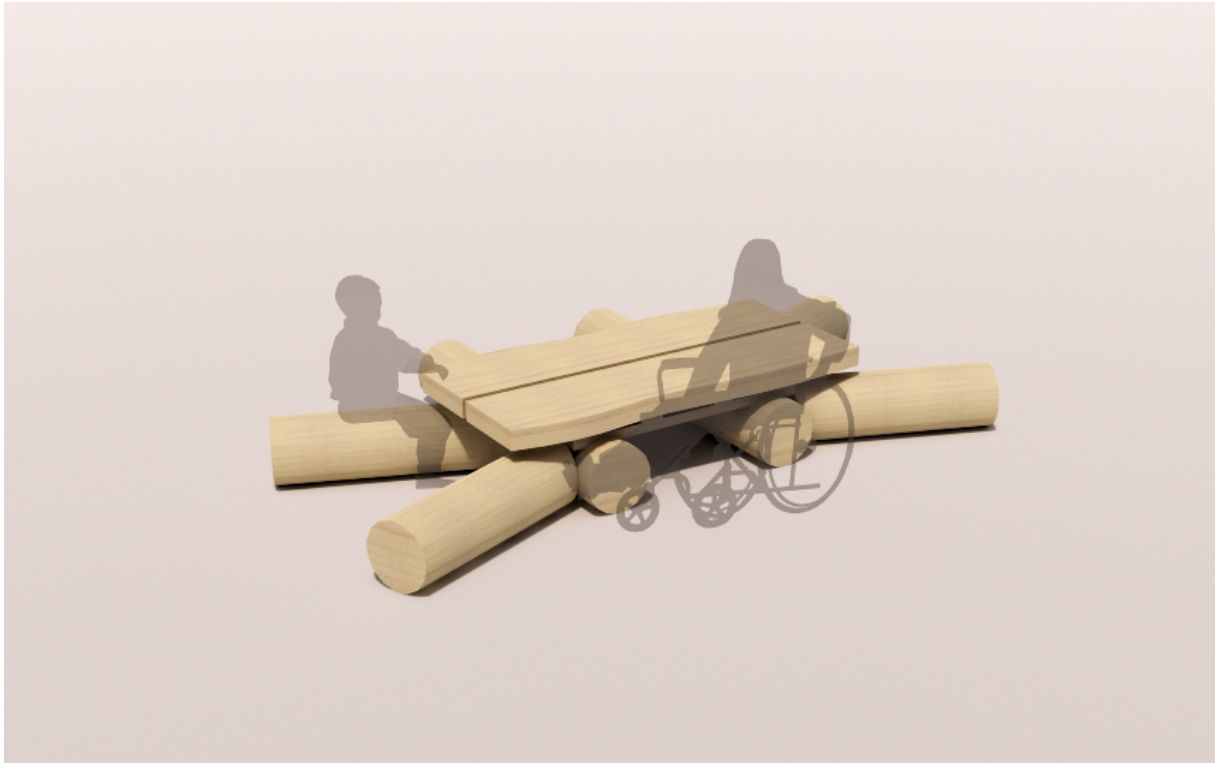


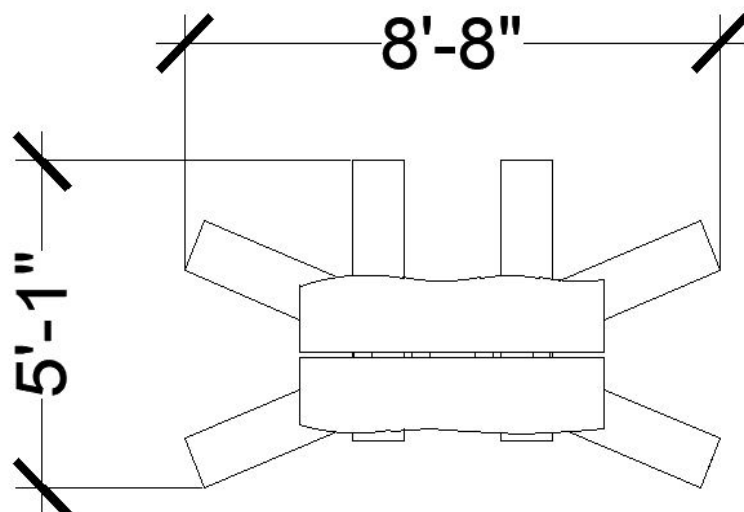
PRODUCT INFORMATION

ASTM F1487

The Discovery Table is a wonderful gathering spot for young children to share and create. Horizontal logs are topped with two large slabs of White Oak. The large White Oak top invites children to engage in social and imaginative play and is a great spot for a snack.



Maximum height: 1'-4 1/2"
Maximum fall height: N/A
Area of Safety Surfacing: N/A
User Capacity: 7



The highest designated play surface and space required are according to ASTM F1487. A buffer is included in the fall zone to account for fabrication and material variations.

Resilient safety surfacing is required within the fall zone of equipment.

If you have questions about the equipment, please contact Earthscape Collections at collections@earthscapeplay.com