

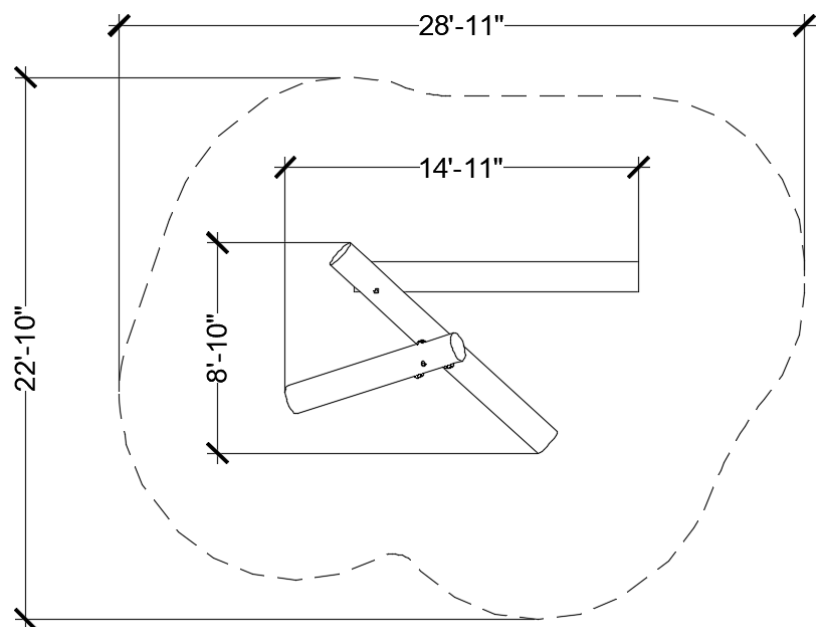
PRODUCT INFORMATION

ASTM F1487

The smallest version of our log pile configurations, the Log Pile 3.1 is a compact, natural climbing experience, especially for the little ones. This jumble of three large-diameter logs can be a standalone piece or used in combination with other equipment to enhance circuit play.



Maximum height: 3'-10"
 Fall height: 3'-10"
 Area of Safety Surfacing: 525 ft²
 User Capacity: 9



The highest designated play surface and space required are according to ASTM F1487. A buffer is included in the fall zone to account for fabrication and material variations.

Resilient safety surfacing is required within the fall zone of equipment.

If you have questions about the equipment or require changes, please contact Earthscape at 1-877-269-2972.