

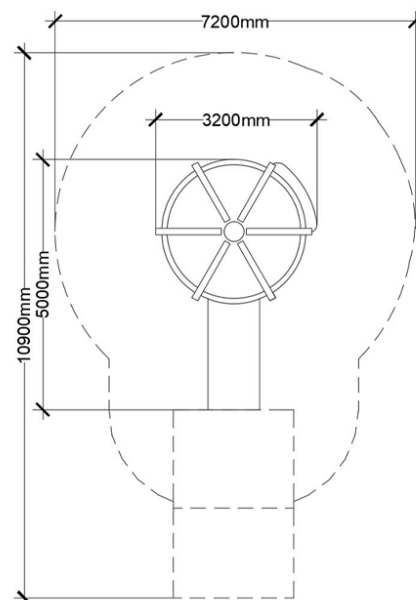
## PRODUCT INFORMATION

CSA Z614

The Forest Hut is the coolest and most beautiful playground clubhouse you can find. Filled with play opportunities it is ADA accessible and can be used independently or in combination with the other Forest Towers. The hut includes a double stainless steel slide, accessible transfer bench with handholds, a lookout balcony and interior net hammock.



Maximum height: 6.4 m  
Fall height: 1.9 m  
Area of Safety Surfacing: 49.6 m<sup>2</sup>



The highest designated play surface and space required are according to CSA Z614. A buffer is included in the fall zone to account for fabrication and material variations.

Resilient safety surfacing is required within the fall zone of equipment.

If you have questions about the equipment or require changes, please contact Earthscape at 1-877-269-2972.