

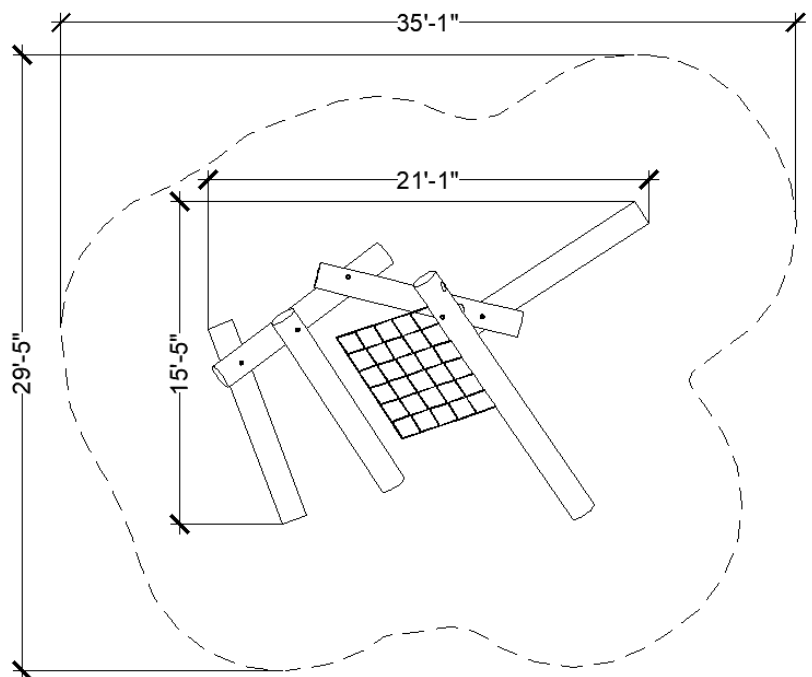
## PRODUCT INFORMATION

ASTM F1487

With 2 logs flat to the ground and 4 logs angled to varying heights, Log Pile 6.1 offers play for children of all ages and abilities, with graduated challenge from easy to more difficult. Imaginative play opportunities are open ended in this large structure that can stand alone, or connect to additional playground elements.



Maximum height: 4'-8"  
 Fall height: 4'-8"  
 Area of Safety Surfacing: 825 ft<sup>2</sup>  
 User Capacity: 21



The highest designated play surface and space required are according to ASTM F1487. A buffer is included in the fall zone to account for fabrication and material variations.

Resilient safety surfacing is required within the fall zone of equipment.

If you have questions about the equipment or require changes, please contact Earthscape at 1-877-269-2972.