

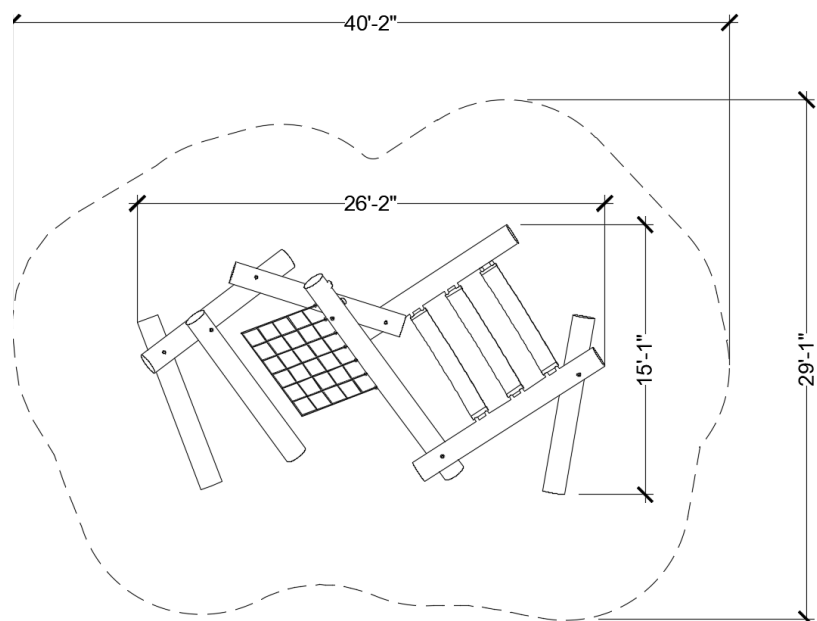
PRODUCT INFORMATION

ASTM F1487

The largest Log Pile incorporates flex strips into this 8 log climber that can accommodate a dizzying number of children. With pockets for conversation, higher points for jumping off, climbing holds to assist and flex form on which to lay or crawl/walk, the play opportunities on this structure are limitless.



Maximum height: 4'-10"
 Fall height: 4'-10"
 Area of Safety Surfacing: 975 ft²
 User Capacity: 33



The highest designated play surface and space required are according to ASTM F1487. A buffer is included in the fall zone to account for fabrication and material variations.

Resilient safety surfacing is required within the fall zone of equipment.

If you have questions about the equipment or require changes, please contact Earthscape at 1-877-269-2972.