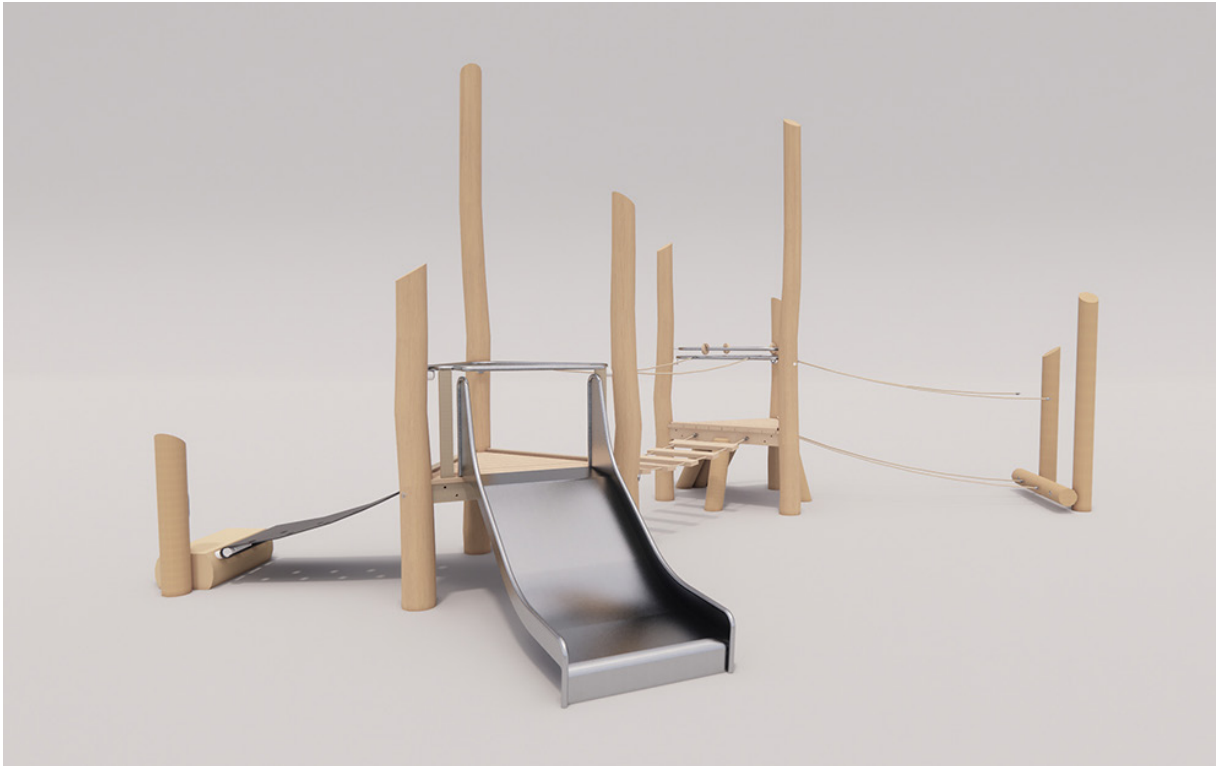


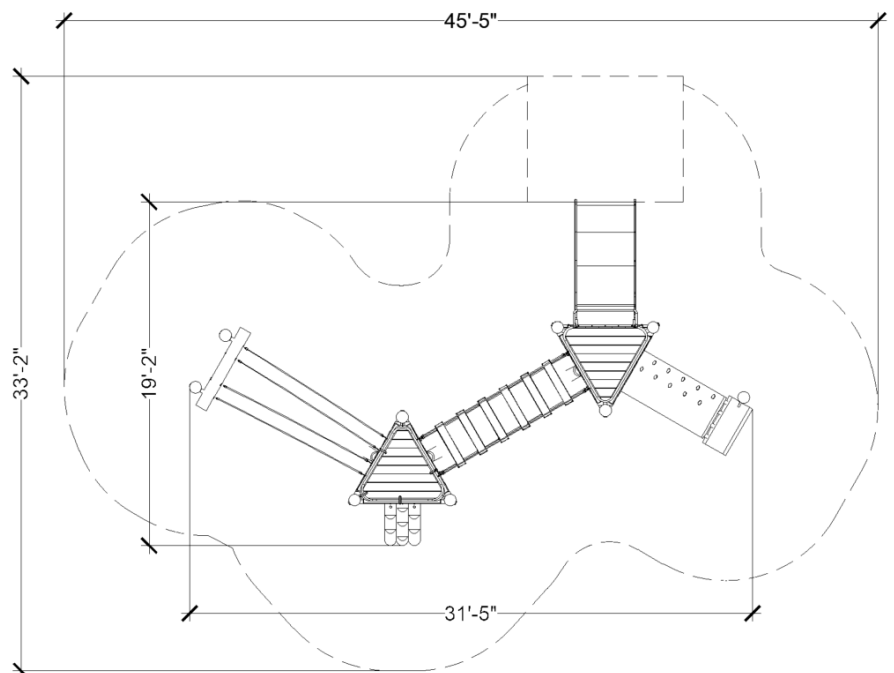
PRODUCT INFORMATION

ASTM F1487

Log Tangle 2.2 incorporates two low triangular platforms. A flexform sling seat with small holes that may help children pull themselves up provides an accessible route from a transfer bench to the platform with a slide. An open wood bridge connects to the second low platform which can also be accessed via notched logs or a junior rope crossing.



Maximum height: 14'-0"
 Maximum fall height: 3'-0"
 Area of Safety Surfacing: 972 ft²



The highest designated play surface and space required are according to ASTM F1487. A buffer is included in the fall zone to account for fabrication and material variations.

Resilient safety surfacing is required within the fall zone of equipment.

If you have questions about the equipment or require changes, please contact Earthscape at 1-877-269-2972.