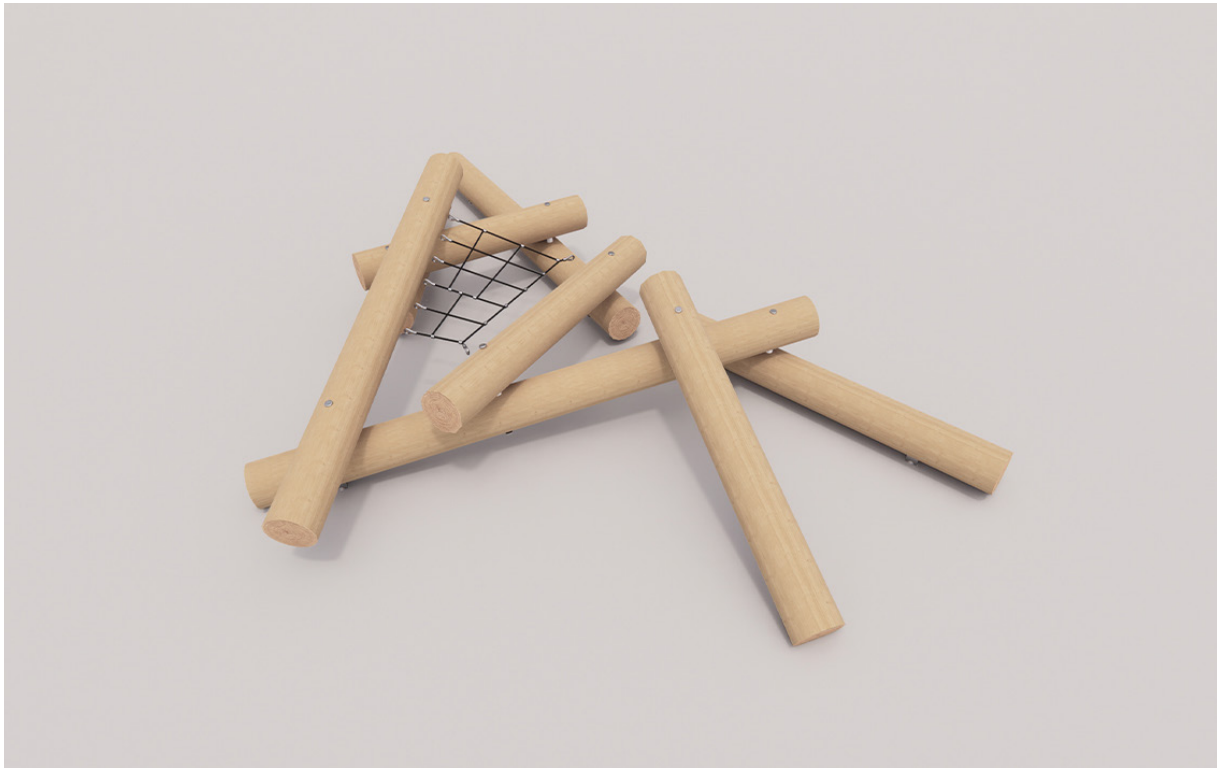


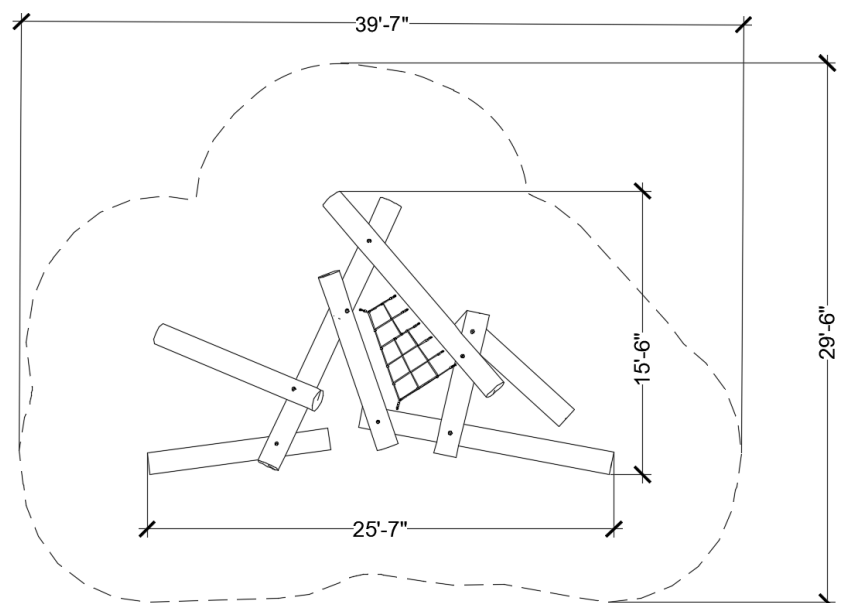
PRODUCT INFORMATION

ASTM F1487

The Log Pile 8.2 takes log climbing to the next level with eight large-diameter logs and one climbing net. This log climber is perfect for a natural playground with two distinct experiences. With tons of space to explore and navigate, this log climber is big on play value.



Maximum height: 4'-6"
Fall height: 4'-6"
Area of Safety Surfacing: 890 ft²
User Capacity: 27



The highest designated play surface and space required are according to ASTM F1487. A buffer is included in the fall zone to account for fabrication and material variations.

Resilient safety surfacing is required within the fall zone of equipment.

If you have questions about the equipment or require changes, please contact Earthscape at 1-877-269-2972.