



GIANT ROPE SWING

Intended user age: 5-12

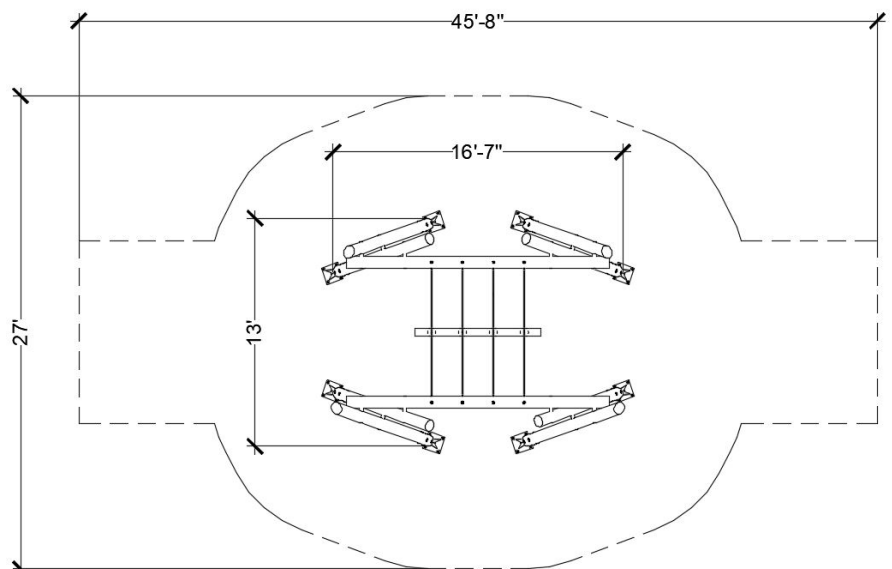
PRODUCT INFORMATION

ASTM F1487

Large in scale and play value, the Giant Rope Swing allows children to swing freely on their own or with many children from a seated, lying down or standing position. The swing is suspended from chains in a V-formation. The X-frame structural supports are made from hand-sanded Robinia logs.



Maximum height: 13'-11"
Fall height: 9'-7"
Area of Safety Surfacing: 864 ft²



The highest designated play surface and space required are according to ASTM F1487. A buffer is included in the fall zone to account for fabrication and material variations.

Resilient safety surfacing is required within the fall zone of equipment.

If you have questions about the equipment or require changes, please contact Earthscape at 1-877-269-2972.