

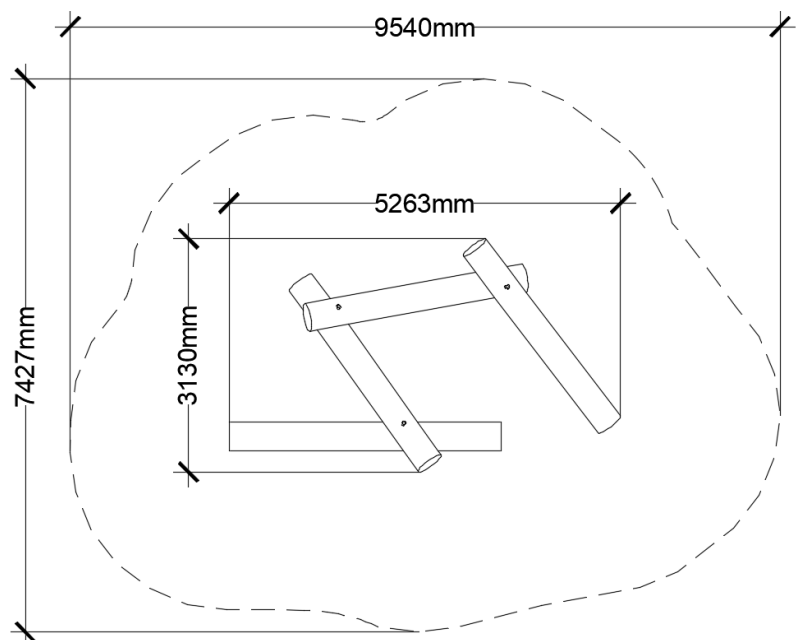
PRODUCT INFORMATION

CSA Z614

This Log Pile configuration includes four large-diameter logs to form a low-to medium-challenge, natural climbing feature. They are a perfect addition to a natural playground or adventure playground for young children.



Maximum height: 915 mm
 Fall height: 915 mm
 Area of Safety Surfacing: 53.6 m²
 User Capacity: 12



The highest designated play surface and space required are according to CSA Z614. A buffer is included in the fall zone to account for fabrication and material variations.

Resilient safety surfacing is required within the fall zone of equipment.

If you have questions about the equipment or require changes, please contact Earthscape at 1-877-269-2972.