

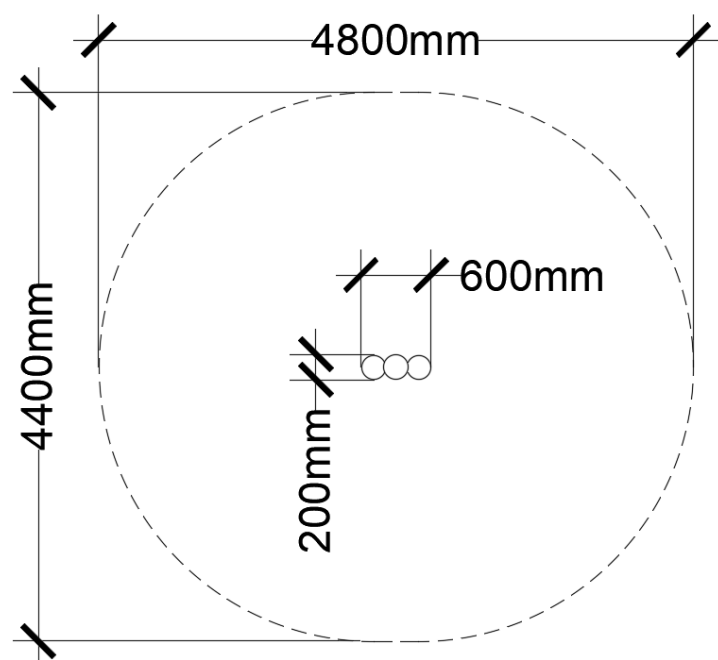
PRODUCT INFORMATION

CSA Z614

Jump or step from post to post as you maneuver through the bog and keep your feet off the ground! Bog stilts are a wonderful way to functionally link different natural playground elements. When combined with other post and rope pieces, the wood playground can become a circuit with endless routes of play. Bog stilts are best when used in multiples.



Maximum height: 3 m
 Maximum stepper (fall) height: 750 mm
 Minimum stepper height: 200 mm
 Area of Safety Surfacing: 17.3 m²



The highest designated play surface and space required are according to CSA Z614. A buffer is included in the fall zone to account for fabrication and material variations.

Resilient safety surfacing is required within the fall zone of equipment.

If you have questions about the equipment or require changes, please contact Earthscape at 1-877-269-2972.