



# WOBBLE BOARD - ROUND LARGE

Intended user age: 5-12

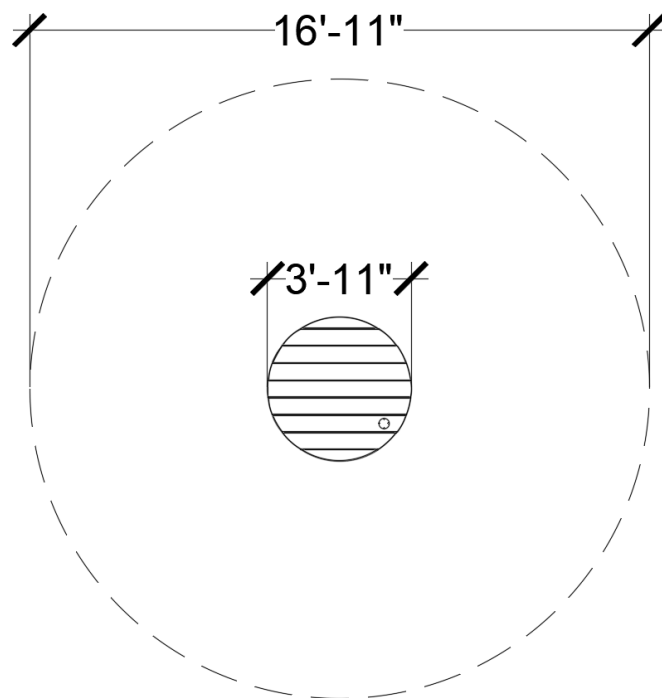
## PRODUCT INFORMATION

ASTM F1487

The large Round Wobble Board is a versatile take on rocking playground equipment that lets users sit or stand while wobbling. When used in multiples, the round shape of this playground product may appear as bubbles floating across the playground. The flat balancing surface for kinetic play is supported by three springs for multidirectional rocking.



Maximum height: 1'-3"  
Fall height: 1'-3"  
Area of Safety Surfacing: 282 ft<sup>2</sup>



The highest designated play surface and space required are according to ASTM F1487. A buffer is included in the fall zone to account for fabrication and material variations.

Resilient safety surfacing is required within the fall zone of equipment.

If you have questions about the equipment or require changes, please contact Earthscape at 1-877-269-2972.