



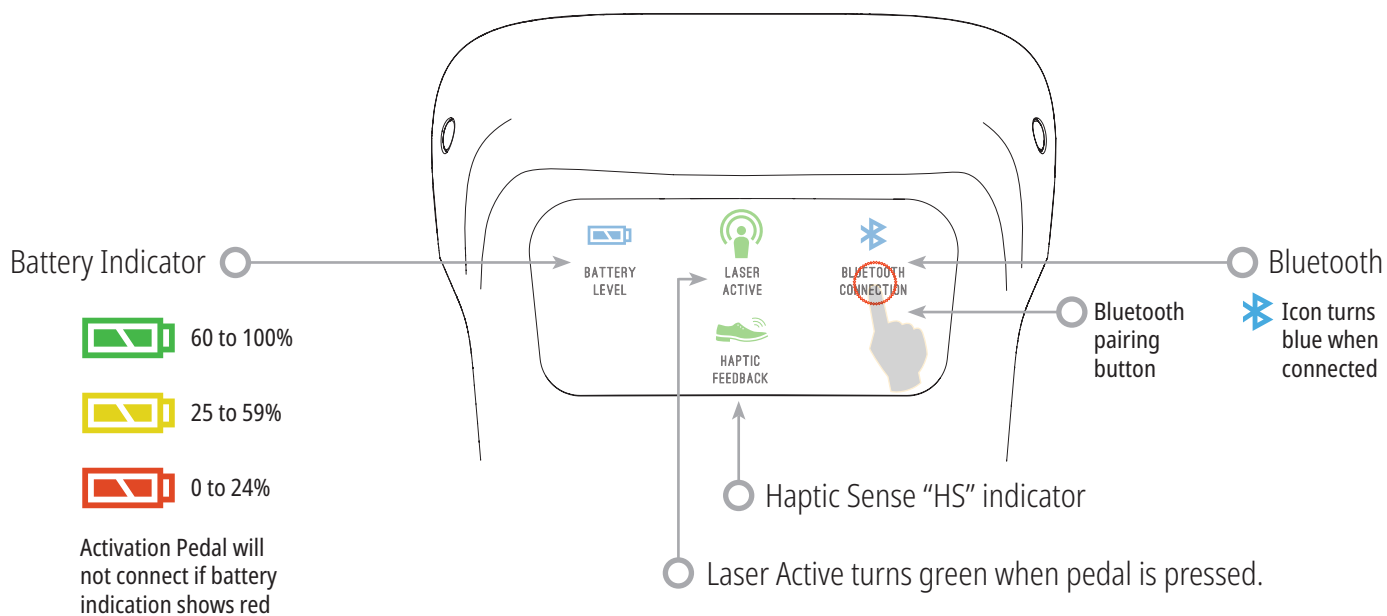
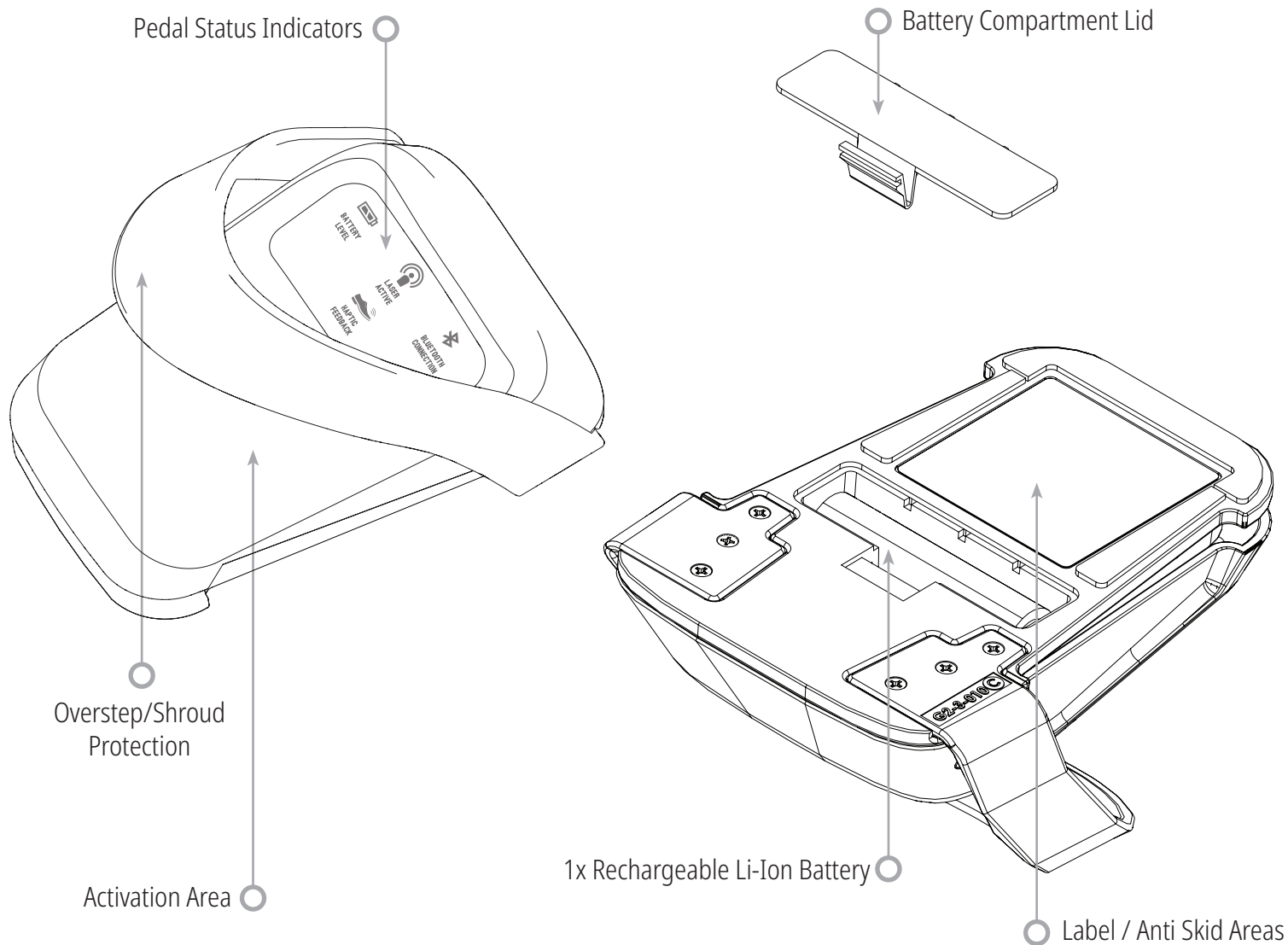
GEMINI **EVO**TM

810 + 980 DIODE LASER

ADDENDUM ON ACTIVATION PEDAL

This document replaces content on the following pages
of your original User Manual:

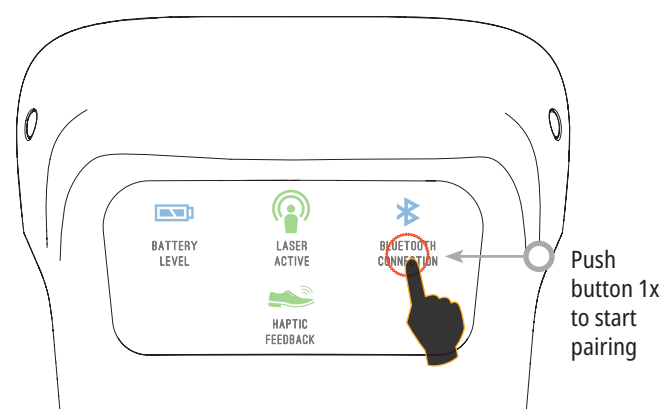
6, 11, 13, 16 and 36



20 - ADD NEW ACTIVATION PEDAL OR RECONNECT / PAIR - BLUETOOTH CONNECTION

In certain instances, your office may need to have an additional Activation Pedal with the same Gemini EVO device, or you may lose your Bluetooth pairing connection. In either case, follow the instructions below to properly reconnect and establish pairing Bluetooth connection with your Gemini EVO unit. **For a successful pairing, the sequence below must be followed:**

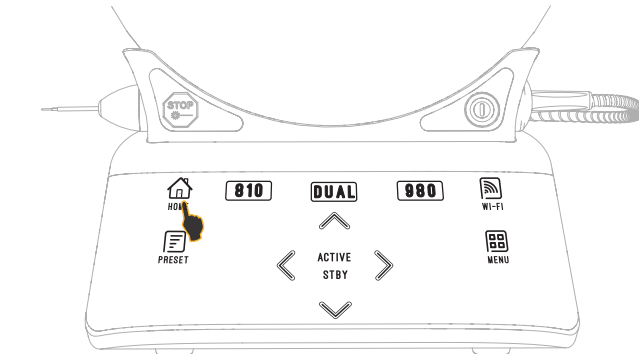
1 PRESS THE BLUETOOTH BUTTON



Push button 1x to start pairing

Icons will flash indicating Bluetooth pairing is enabled

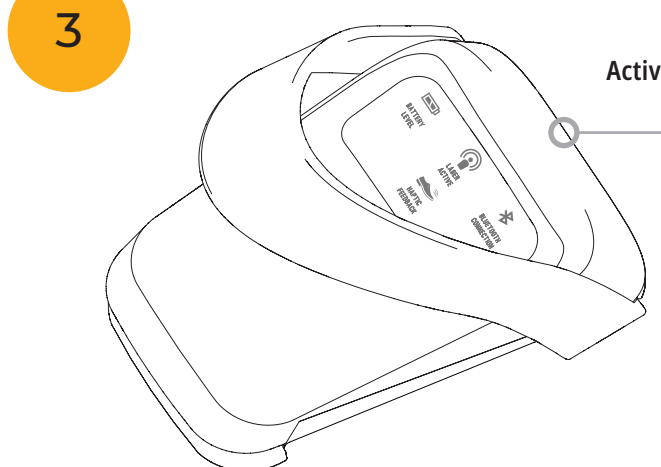
2 PAIRING



Press and hold the HOME icon for 5 seconds.

🔊 "Bluetooth Pairing Enabled"

3

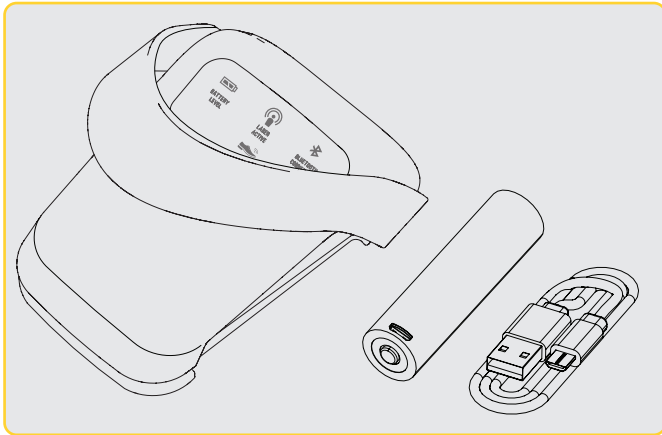


Activation Pedal automatically connects to your Gemini EVO device.

🔊 "Bluetooth Pairing Successful"

WHAT IS IN THE BOX

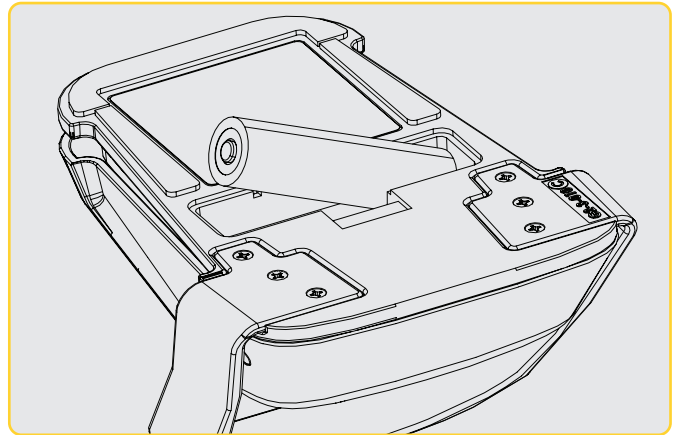
Replaces an image from page 6



Activation Pedal + 1x rechargeable Li-Ion Battery + micro USB Cable

QUICK START

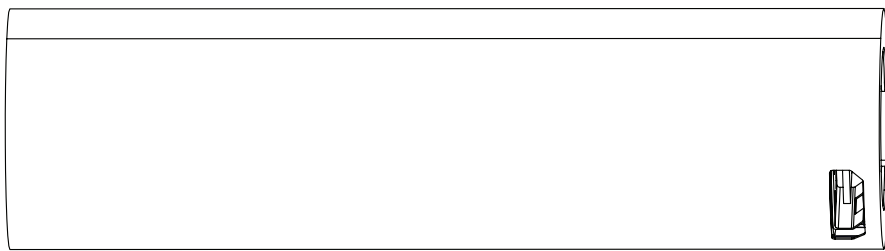
Replaces an image from pages 13 and 16



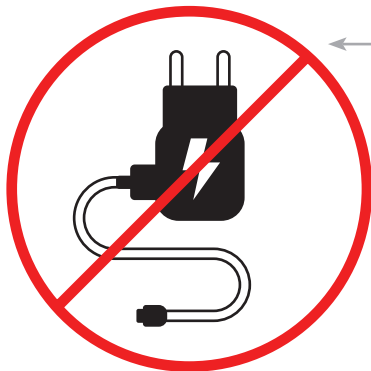
Install the provided Li-Ion battery into the wireless activation pedal

RECHARGEABLE LI-ION BATTERY - 18650

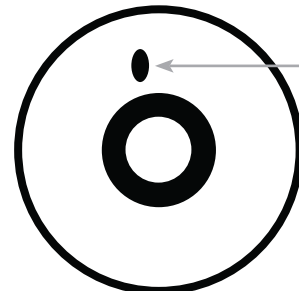
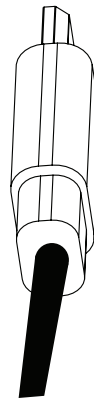
Your Gemini EVO activation pedal comes with a rechargeable Li-Ion battery. Use the supplied micro-USB cable to fully charge the battery before use by connecting it to the USB port on any computer or by using an AC to USB wall charger plug. The indicator near the battery charging port will be red when charging and blue when fully charged. Note charging time will take 5-6 hours.



CAUTION: Terminal can get very hot during charging



WARNING: Fast charger is prohibited.



Charging Status

- Charging
- Charged

800.552.5512 | ULTRADENT.COM

Manufactured by Azena Medical, LLC. 3021 Citrus Circle, Suite 180, Walnut Creek, CA 94598 USA. Made in the USA of U.S. and imported components. Distributed by Ultradent Products Inc., 505 West Ultradent Drive, South Jordan, Utah 84095

1011432AR01 071522

