

89.5 mm

Template Box

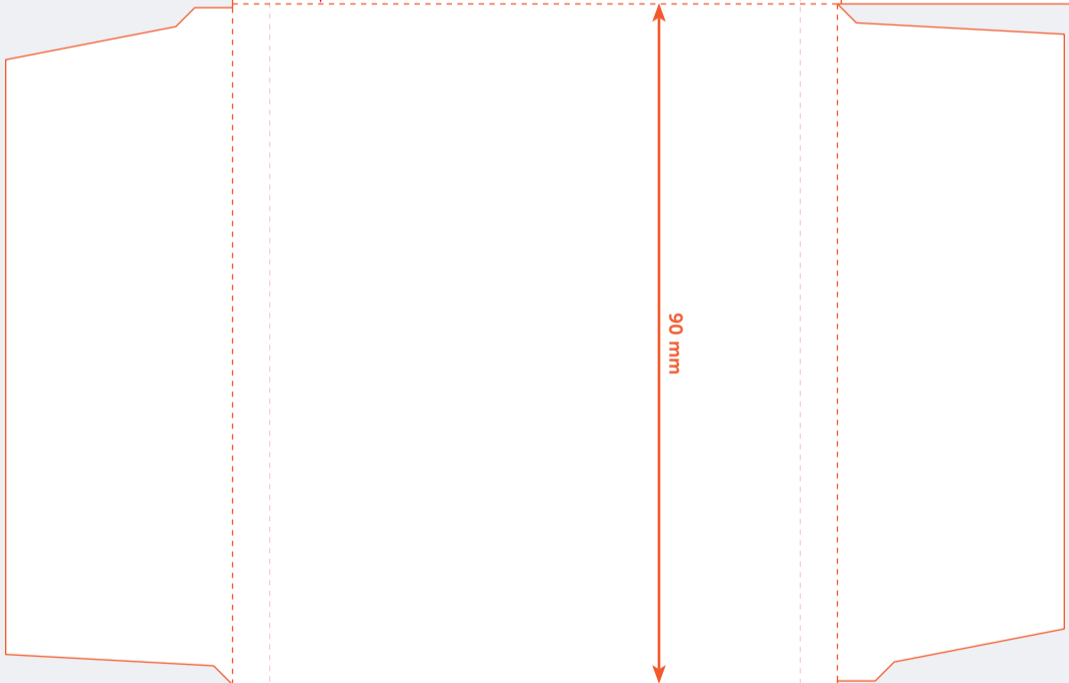
Size: 75 x 80 x 90 mm

You can use this file as an extra layer in your layout programme.
Do not forget to make our template invisible or to delete it before you save your final PDF, or JPG with a high resolution.

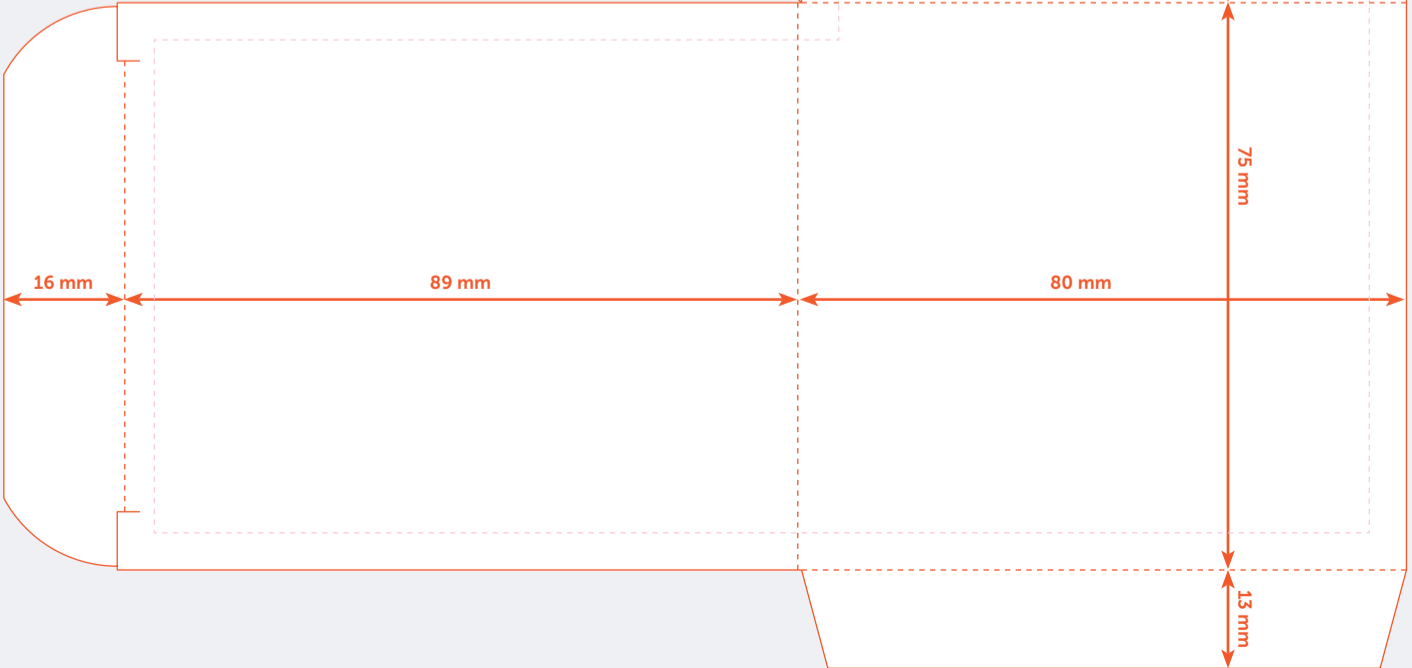
Format size to be submitted (301 x 353 mm)
It is advised to let the background and all of the images run through to this edge.

← **Finished format**

Fold



90 mm



16 mm

89 mm

80 mm

75 mm

13 mm