

WARRIOR Figure 202A and 202S Service Valve

Description

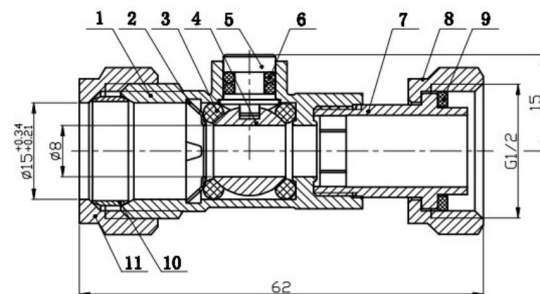
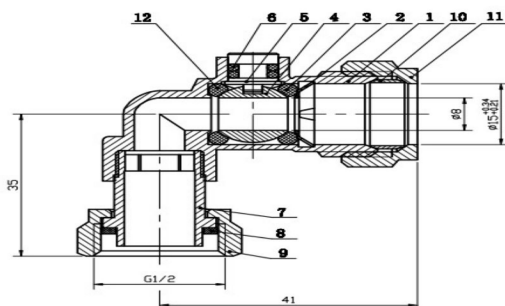
Warrior Service Valves are WRAS approved and supplied in 15mm x 1/2". The Compression ends are manufactured to BS EN 1254-2.

Warrior Service Valves provide a reliable and straightforward way to isolate flow quickly within a Plumbing system. They are engineered to have a smooth action and create a good seal with pipework.

Technical Data

Size range: 15mm x 1/2" Angled and Straight Service Valve

Dimensions:



1. Body - Nickel Plated Brass
2. Stainless Steel Clip
3. EPDM O Ring
4. Chrome Plated Brass Ball
5. Stem - Nickel Plated Brass
6. EPDM O Ring
7. Tail - Nickel Plated Brass
8. Compression Nut - Nickel Plated Brass
9. Fibre Washer
10. Copper Olive
11. Compression Nut - Nickel Plated Brass
12. EPDM O Ring

Maximum Working Pressure	PN10
Approvals:	WRAS
Materials:	Brass
Working Temperature	From -10°C to +80°C

Codes

28422444 15mm x 1/2" Angled
28422455 15mm x 1/2" Straight

Other Information

Warrior Service Valves are designed to be fitted using standard tools and are straightforward to install.

A full range of Warrior Plumbing Fittings and Consumables are available from your local BSS branch. These include Compression Fittings, End Feed Fittings, Solder Ring Fittings, Yellow Metal Brassware, TRV's TMV's and AAV's. Warrior Lever Ball Valves are also available in pack quantities only.