

WARRIOR Figure 250C and 250S Type A Drain Cock

Description

Warrior Drain Cocks are WRAS approved and supplied in 15mm Capillary or 1/2" Screwed. The valves are manufactured in accordance with BS 2879 Type A.

Warrior Drain Cocks provide a reliable and straightforward way to draw off water or other liquids from a Plumbing system.

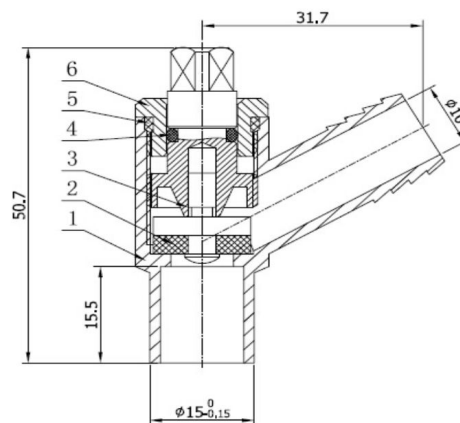


Technical Data

Size range:

15mm Capillary or 1/2" Screwed

Dimensions:



1. Body
2. Washer
3. Spindle
4. O Ring
5. Packing Nut
6. O Ring

Maximum Working Pressure

PN10

Approvals:

WRAS

Materials:

Brass

Working Temperature

From 0°C to +65°C

Codes

28422721 15mm Capillary

28422732 ½" Screwed

Other Information

Warrior Drain Cocks are designed to be fitted using standard tools and are straightforward to install.

A full range of Warrior Plumbing Fittings and Consumables are available from your local BSS branch. These include Compression Fittings, End Feed Fittings, Solder Ring Fittings, Yellow Metal Brassware, TRV's TMV's and AAV's. Warrior Lever Ball Valves are also available in pack quantities only.