

WARRIOR Figure 260 Brass Air Vent

Description

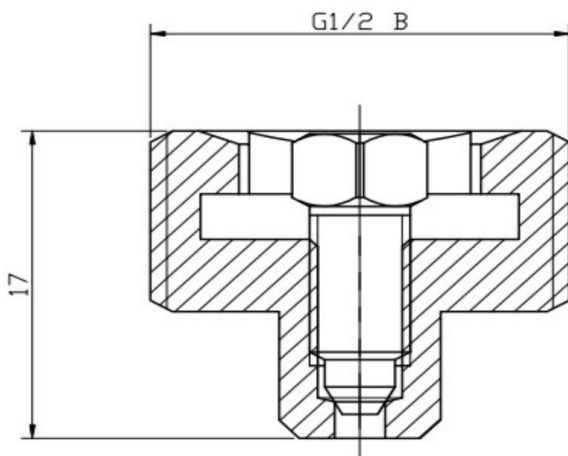
Warrior Brass Air Vents are supplied in 1/2" only. They are operated by a square key and are designed to release air from a radiator within a heating system.



Technical Data

Size range: 1/2" BSP

Dimensions:



1. Brass Body
2. Brass Plug

Maximum Working Pressure

PN10

Materials:

Brass

Working Temperature

From 0°C to +110°C

Codes

28422743 - 1/2"

Other Information

Warrior Brass Air Vents are designed to be fitted using standard tools and are straightforward to install.

A full range of Warrior Plumbing Fittings and Consumables are available from your local BSS branch. These include Compression Fittings, End Feed Fittings, Solder Ring Fittings, Yellow Metal Brassware, TRV's TMV's and AAV's. Warrior Lever Ball Valves are also available in pack quantities only.